

# VS-IP67/B-IP67/B-94C-LI/10,0 - Network cable



1413340

<https://www.phoenixcontact.com/us/products/1413340>

Please be informed that the data shown in this PDF document is generated from our online catalog. Please find the complete data in the user documentation. Our general terms of use for downloads are valid.



Assembled Ethernet cable, shielded, 4-pair, AWG 26 flexible cable conduit capable (19-wire), RAL 5021 (sea blue), RJ45 connector/IP67 black to RJ45 connector/IP67, black, line, length 2 m

## Commercial data

|                                      |               |
|--------------------------------------|---------------|
| Item number                          | 1413340       |
| Packing unit                         | 1 pc          |
| Minimum order quantity               | 1 pc          |
| Product key                          | ABNABE        |
| GTIN                                 | 4046356475792 |
| Weight per piece (including packing) | 610 g         |
| Weight per piece (excluding packing) | 610 g         |
| Country of origin                    | PL            |

1413340

<https://www.phoenixcontact.com/us/products/1413340>

## Technical data

### Product properties

|                      |                          |
|----------------------|--------------------------|
| Product type         | Data cable preassembled  |
| Product family       | RJ45 INDUSTRIAL IE8 CAT5 |
| Sensor type          | Ethernet                 |
| Number of positions  | 8                        |
| No. of cable outlets | 1                        |
| Shielded             | yes                      |
| Cable outlet         | straight                 |

### Insulation characteristics

|                     |   |
|---------------------|---|
| Degree of pollution | 2 |
|---------------------|---|

### Electrical properties

|                     |        |
|---------------------|--------|
| Transmission medium | Copper |
| Wave impedance      | 100 Ω  |

### Mechanical properties

#### Mechanical data

|                             |       |
|-----------------------------|-------|
| Insertion/withdrawal cycles | ≥ 750 |
|-----------------------------|-------|

### Material specifications

|                                        |                    |
|----------------------------------------|--------------------|
| Color                                  | black              |
| Flammability rating according to UL 94 | V2                 |
| Outer sheath, material                 | PUR                |
| Conductor material                     | Bare Cu litz wires |

### Connector

#### Connection 1

|                      |                    |
|----------------------|--------------------|
| Type                 | Plug straight RJ45 |
| Handle color         | black              |
| Degree of protection | IP67               |

#### Connection 2

|                      |                    |
|----------------------|--------------------|
| Type                 | Plug straight RJ45 |
| Handle color         | black              |
| Degree of protection | IP67               |

### Cable/line


Ethernet drag chain CAT5, 4-pair [94C]

# VS-IP67/B-IP67/B-94C-LI/10,0 - Network cable



1413340

<https://www.phoenixcontact.com/us/products/1413340>

|                                               |                                                                                    |
|-----------------------------------------------|------------------------------------------------------------------------------------|
| Dimensional drawing                           |  |
| Shielded                                      | yes                                                                                |
| UL AWM Style                                  | 20963 (80°C/30 V)                                                                  |
| Cable weight                                  | 57 kg/km                                                                           |
| Cable type                                    | Ethernet drag chain CAT5, 4-pair                                                   |
| Cable type (abbreviation)                     | 94C                                                                                |
| Signal type/category                          | Ethernet CAT5 (IEC 11801), 1 Gbps                                                  |
| Cable structure                               | 4x2xAWG26/19, S/UTP                                                                |
| External cable diameter                       | 6.90 mm +0.1 mm ... 0.2 mm                                                         |
| Outer sheath, material                        | PUR                                                                                |
| External sheath, color                        | water blue RAL 5021                                                                |
| Thickness, outer sheath                       | 0.85 mm                                                                            |
| Conductor material                            | Bare Cu litz wires                                                                 |
| Conductor structure signal line               | 19x 0.10 mm                                                                        |
| AWG signal line                               | 26                                                                                 |
| Conductor cross-section                       | 4x 2x 0.14 mm <sup>2</sup>                                                         |
| Material wire insulation                      | PP                                                                                 |
| Wire diameter incl. insulation                | 1 mm                                                                               |
| Single wire, color                            | white/blue-blue, white/orange-orange, white/green-green, white/brown-brown         |
| Twisted pairs                                 | 2 cores to the pair                                                                |
| Overall twist                                 | Four pairs and four fillers to the core                                            |
| Shielding                                     | Tinned copper braided shield                                                       |
| Optical shield covering                       | 90 %                                                                               |
| Nominal voltage, cable                        | ≤ 100 V                                                                            |
| Test voltage Core/Core                        | 700 V (50 Hz, 1 min.)                                                              |
| Test voltage Core/Shield                      | 700.00 V (50 Hz, 1 min.)                                                           |
| Cable insulation resistance                   | ≥ 500 MΩ*km                                                                        |
| Coupling resistance                           | ≤ 100.00 mΩ/m (at 10 MHz)                                                          |
| Wave impedance                                | 100 Ω ±5 Ω (at 100 MHz)                                                            |
| Loop resistance                               | ≤ 290.00 Ω/km                                                                      |
| Cable capacity                                | approx. 50 nF/km (at 1 kHz)                                                        |
| Signal runtime                                | 5.3 ns/m                                                                           |
| Tensile strength                              | ≤ 100 N                                                                            |
| Minimum bending radius, fixed installation    | 4 x D                                                                              |
| Minimum bending radius, flexible installation | 8 x D                                                                              |
| Number of bending cycles                      | 5000000                                                                            |

# VS-IP67/B-IP67/B-94C-LI/10,0 - Network cable



1413340

<https://www.phoenixcontact.com/us/products/1413340>

|                                                        |                                                 |
|--------------------------------------------------------|-------------------------------------------------|
| Minimum bending radius, drag chain applications        | 7,5 x D                                         |
| Traversing rate                                        | 3 m/s                                           |
| Acceleration                                           | 5 m/s <sup>2</sup>                              |
| Near end crosstalk attenuation (NEXT)                  | 65.3 dB (with 1 MHz)                            |
|                                                        | 56.3 dB (at 4 MHz)                              |
|                                                        | 50.3 dB (at 10 MHz)                             |
|                                                        | 47.2 dB (at 16 MHz)                             |
|                                                        | 45.8 dB (at 20 MHz)                             |
|                                                        | 42.9 dB (at 31.25 MHz)                          |
|                                                        | 38.4 dB (at 62.5 MHz)                           |
|                                                        | 35.3 dB (at 100 MHz)                            |
| Power-summated near end crosstalk attenuation (PSNEXT) | 62.3 dB (with 1 MHz)                            |
|                                                        | 53.3 dB (at 4 MHz)                              |
|                                                        | 47.3 dB (at 10 MHz)                             |
|                                                        | 44.2 dB (at 16 MHz)                             |
|                                                        | 42.8 dB (at 20 MHz)                             |
|                                                        | 39.9 dB (at 31.25 MHz)                          |
|                                                        | 35.4 dB (at 62.5 MHz)                           |
|                                                        | 32.3 dB (at 100 MHz)                            |
| Return attenuation (RL)                                | 23 dB (at 4 MHz)                                |
|                                                        | 24.1 dB (at 8 MHz)                              |
|                                                        | 25 dB (at 10 MHz)                               |
|                                                        | 25 dB (at 16 MHz)                               |
|                                                        | 25 dB (at 20 MHz)                               |
|                                                        | 23.6 dB (at 31.25 MHz)                          |
|                                                        | 21.5 dB (at 62.5 MHz)                           |
|                                                        | 20.1 dB (at 100 MHz)                            |
| Halogen-free                                           | according to IEC 60754-1                        |
| Resistance to oil                                      | in accordance with EN 60811-2-1                 |
| Flame resistance                                       | according to IEC 60332-1-2                      |
| Ambient temperature (operation)                        | -20 °C ... 80 °C (Cable, flexible installation) |
|                                                        | -40 °C ... 80 °C (cable, fixed installation)    |

# VS-IP67/B-IP67/B-94C-LI/10,0 - Network cable

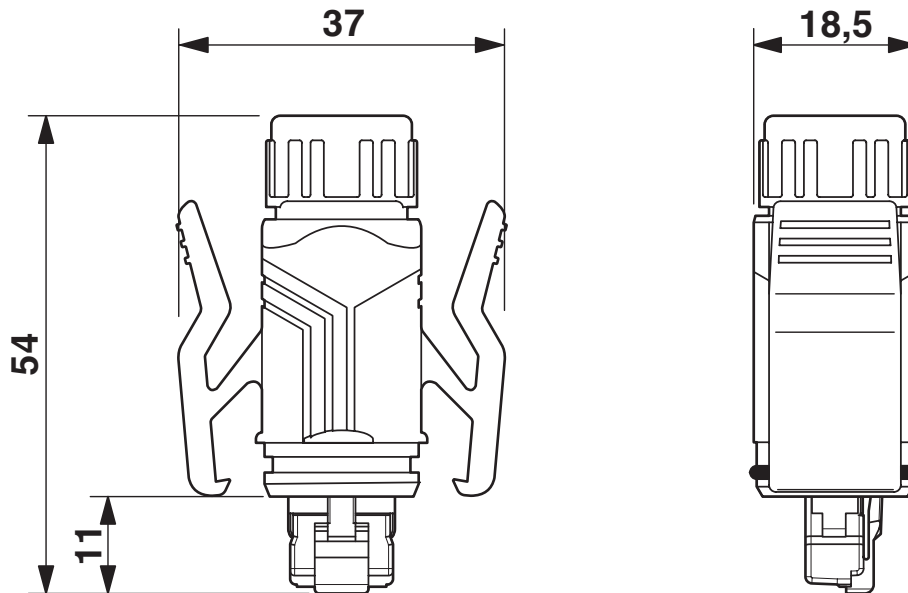


1413340

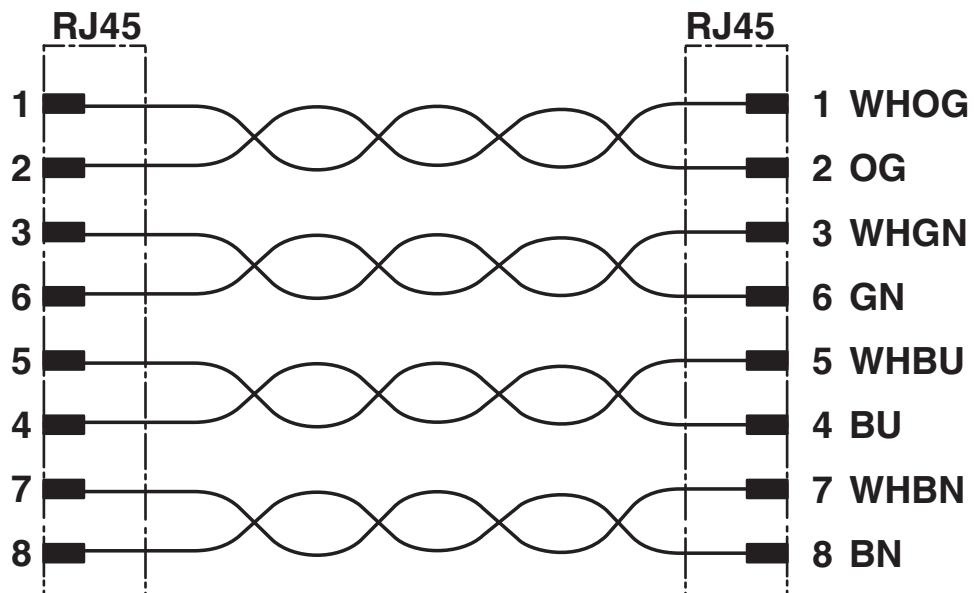
<https://www.phoenixcontact.com/us/products/1413340>

## Drawings

Dimensional drawing



Circuit diagram



# VS-IP67/B-IP67/B-94C-LI/10,0 - Network cable



1413340

<https://www.phoenixcontact.com/us/products/1413340>

## Classifications

### ECLASS

|             |          |
|-------------|----------|
| ECLASS-13.0 | 27060307 |
| ECLASS-15.0 | 27060307 |

1413340

<https://www.phoenixcontact.com/us/products/1413340>

## Environmental product compliance

### EU RoHS

|                                         |                    |
|-----------------------------------------|--------------------|
| Fulfills EU RoHS substance requirements | Yes, No exemptions |
|-----------------------------------------|--------------------|

### China RoHS

|                                        |                                                                                                                                                                                                                                   |
|----------------------------------------|-----------------------------------------------------------------------------------------------------------------------------------------------------------------------------------------------------------------------------------|
| Environment friendly use period (EFUP) | EFUP-50                                                                                                                                                                                                                           |
|                                        | An article-related China RoHS declaration table can be found in the download area for the respective article under "Manufacturer declaration". For all articles with EFUP-E, no China RoHS declaration table issued and required. |

### EU REACH SVHC

|                                     |                            |
|-------------------------------------|----------------------------|
| REACH candidate substance (CAS No.) | No substance above 0.1 wt% |
|-------------------------------------|----------------------------|

Phoenix Contact 2026 © - all rights reserved

<https://www.phoenixcontact.com>

Phoenix Contact USA  
586 Fulling Mill Road  
Middletown, PA 17057, United States  
(+717) 944-1300  
[info@phoenixcon.com](mailto:info@phoenixcon.com)