

VS-M12FSBP-IP67-94C-LI/2,0 - Network cable



1413324

<https://www.phoenixcontact.com/us/products/1413324>

Please be informed that the data shown in this PDF document is generated from our online catalog. Please find the complete data in the user documentation. Our general terms of use for downloads are valid.



Network cable, degree of protection: IP67, cable length: 2 m, number of positions: 8, CAT5, cable outlet: straight, Ethernet, 4x2xAWG26/19, S/UTP, water blue RAL 5021

Commercial data

Item number	1413324
Packing unit	1 pc
Minimum order quantity	1 pc
Product key	ABNPAA
GTIN	4046356475785
Weight per piece (including packing)	173.08 g
Weight per piece (excluding packing)	173.08 g
Country of origin	DE

VS-M12FSBP-IP67-94C-LI/2,0 - Network cable



1413324

<https://www.phoenixcontact.com/us/products/1413324>

Technical data

Product properties

Product type	Circular connectors (device side)
Type	M12
Number of positions	8
No. of cable outlets	1
Shielded	yes
Cable outlet	straight

Insulation characteristics

Degree of pollution	3
---------------------	---

Material specifications

Flammability rating according to UL 94	V2
--	----

Electrical properties

Transmission medium	Copper
Transmission characteristics (category)	CAT5 (IEC 11801:2002)
Transmission speed	1 Gbps

Mechanical properties

Mechanical data

Insertion/withdrawal cycles	≥ 100
-----------------------------	-------

Connector

Connection 1

Type	Flush-type female connector straight M12
------	--

Connection 2

Type	Plug straight RJ45
Degree of protection	IP67

Cable/line


Cable length	2.00 m
--------------	--------

Ethernet drag chain CAT5, 4-pair [94C]

VS-M12FSBP-IP67-94C-LI/2,0 - Network cable

1413324

<https://www.phoenixcontact.com/us/products/1413324>

Dimensional drawing	
Cable weight	57 kg/km
UL AWM Style	20963 (80°C/30 V)
Number of positions	8
Shielded	yes
Cable type	Ethernet drag chain CAT5, 4-pair [94C]
Conductor structure	4x2xAWG26/19, S/UTP
Signal runtime	5.3 ns/m
Conductor structure signal line	19x 0.10 mm
AWG signal line	26
Conductor cross-section	4x 2x 0.14 mm ²
Wire diameter incl. insulation	1 mm
External cable diameter	6.90 mm +0.1 mm ... 0.2 mm
Outer sheath, material	PUR
External sheath, color	water blue RAL 5021
Conductor material	Bare Cu litz wires
Material wire insulation	PP
Single wire, color	white/blue-blue, white/orange-orange, white/green-green, white/brown-brown
Thickness, outer sheath	0.85 mm
Twisted pairs	2 cores to the pair
Overall twist	Four pairs and four fillers to the core
Optical shield covering	90 %
Insulation resistance	≥ 500 MΩ*km
Coupling resistance	≤ 100.00 mΩ/m (at 10 MHz)
Loop resistance	≤ 290.00 Ω/km
Wave impedance	100 Ω ±5 Ω (at 100 MHz)
Cable capacity	approx. 50 nF/km (at 1 kHz)
Nominal voltage, cable	≤ 100 V
Test voltage Core/Core	700 V (50 Hz, 1 min.)
Test voltage Core/Shield	700.00 V (50 Hz, 1 min.)
Minimum bending radius, fixed installation	4 x D
Minimum bending radius, flexible installation	8 x D
Smallest bending radius, fixed installation	28 mm
Smallest bending radius, movable installation	56 mm
Dynamic load capacity (bending)	Max. bending cycles: 5000000, Bending radius: 7,5 x D, Traversing rate: 3 m/s, Acceleration: 5 m/s ²

VS-M12FSBP-IP67-94C-LI/2,0 - Network cable



1413324

<https://www.phoenixcontact.com/us/products/1413324>

Tensile strength	≤ 100 N
Near end crosstalk attenuation (NEXT)	65.3 dB (with 1 MHz)
	56.3 dB (at 4 MHz)
	50.3 dB (at 10 MHz)
	47.2 dB (at 16 MHz)
	45.8 dB (at 20 MHz)
	42.9 dB (at 31.25 MHz)
	38.4 dB (at 62.5 MHz)
	35.3 dB (at 100 MHz)
Power-summated near end crosstalk attenuation (PSNEXT)	62.3 dB (with 1 MHz)
	53.3 dB (at 4 MHz)
	47.3 dB (at 10 MHz)
	44.2 dB (at 16 MHz)
	42.8 dB (at 20 MHz)
	39.9 dB (at 31.25 MHz)
	35.4 dB (at 62.5 MHz)
	32.3 dB (at 100 MHz)
Return attenuation (RL)	23 dB (at 4 MHz)
	24.1 dB (at 8 MHz)
	25 dB (at 10 MHz)
	25 dB (at 16 MHz)
	25 dB (at 20 MHz)
	23.6 dB (at 31.25 MHz)
	21.5 dB (at 62.5 MHz)
	20.1 dB (at 100 MHz)
Shield attenuation	3.2 dB (with 1 MHz)
	6 dB (at 4 MHz)
	9.5 dB (at 10 MHz)
	12.1 dB (at 16 MHz)
	13.6 dB (at 20 MHz)
	17.1 dB (at 31.25 MHz)
	24.8 dB (at 62.5 MHz)
	32 dB (at 100 MHz)
Halogen-free	according to IEC 60754-1
Flame resistance	according to IEC 60332-1-2
Resistance to oil	in accordance with EN 60811-2-1
Ambient temperature (operation)	-40 °C ... 80 °C (cable, fixed installation)
	-20 °C ... 80 °C (Cable, flexible installation)
Ambient temperature (installation)	-20 °C ... 80 °C

Environmental and real-life conditions

Ambient conditions

Degree of protection	IP67
----------------------	------

VS-M12FSBP-IP67-94C-LI/2,0 - Network cable



1413324

<https://www.phoenixcontact.com/us/products/1413324>

IP67

VS-M12FSBP-IP67-94C-LI/2,0 - Network cable

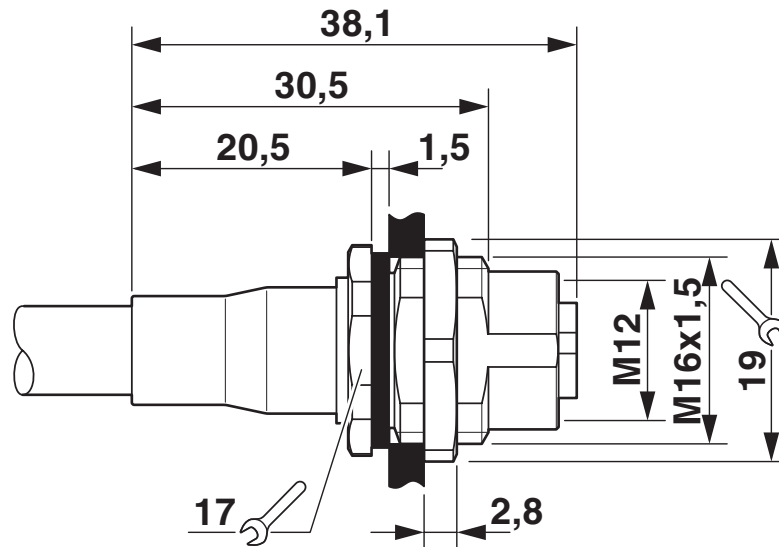


1413324

<https://www.phoenixcontact.com/us/products/1413324>

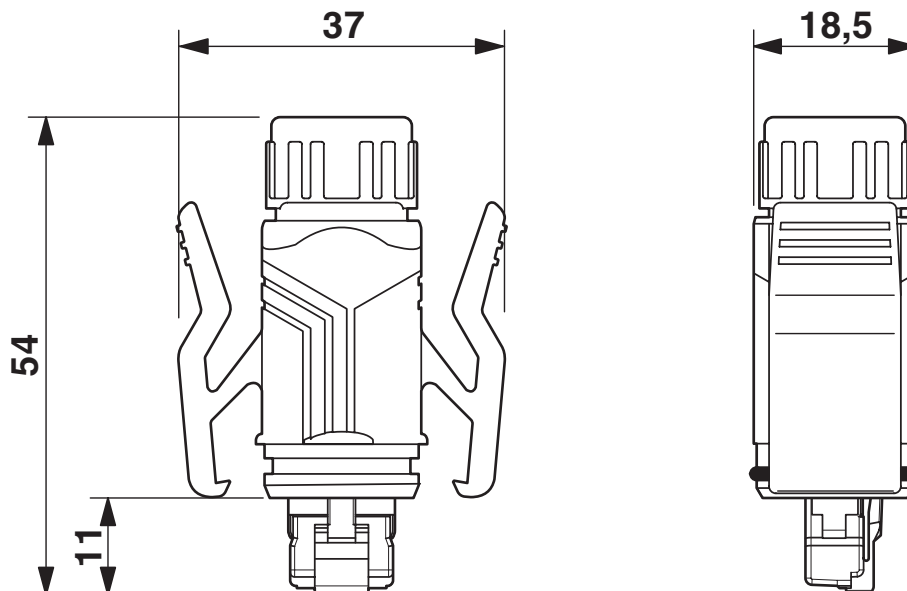
Drawings

Dimensional drawing



M12 flush-type connector

Dimensional drawing



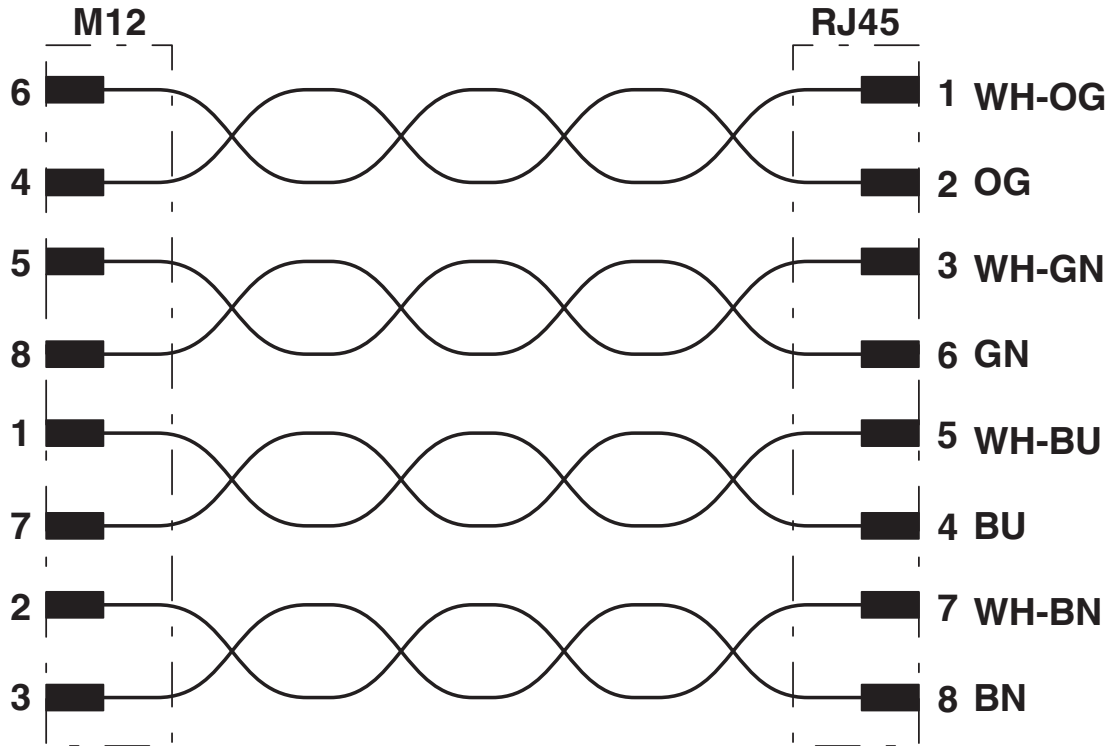
VS-M12FSBP-IP67-94C-LI/2,0 - Network cable



1413324

<https://www.phoenixcontact.com/us/products/1413324>

Circuit diagram



VS-M12FSBP-IP67-94C-LI/2,0 - Network cable



1413324

<https://www.phoenixcontact.com/us/products/1413324>

Classifications

ECLASS

ECLASS-13.0	27440103
ECLASS-15.0	27440103

UNSPSC

UNSPSC 21.0	26121600
-------------	----------

VS-M12FSBP-IP67-94C-LI/2,0 - Network cable



1413324

<https://www.phoenixcontact.com/us/products/1413324>

Environmental product compliance

China RoHS

Environment friendly use period (EFUP)	EFUP-50 An article-related China RoHS declaration table can be found in the download area for the respective article under "Manufacturer declaration". For all articles with EFUP-E, no China RoHS declaration table issued and required.
--	--

EU REACH SVHC

REACH candidate substance (CAS No.)	No substance above 0.1 wt%
-------------------------------------	----------------------------

Phoenix Contact 2026 © - all rights reserved
<https://www.phoenixcontact.com>

Phoenix Contact USA
586 Fulling Mill Road
Middletown, PA 17057, United States
(+717) 944-1300
info@phoenixcon.com