

# NBC-R4AC1/0,3-94G/R4AC1-BU - Patch cable



1413158

<https://www.phoenixcontact.com/us/products/1413158>

Please be informed that the data shown in this PDF document is generated from our online catalog. Please find the complete data in the user documentation. Our general terms of use for downloads are valid.



Patch cable, degree of protection: IP20, cable length: 0.3 m, number of positions: 8, 10 Gbps, CAT6<sub>A</sub>, connection method: Pierce connection, Ethernet, 2x2xAWG26/7, S/FTP, water blue RAL 5021

## Your advantages

- Perfect for industrial applications
- Perfect for office, building, and protected industrial applications (e.g., in control cabinets)
- Compact angle

## Commercial data

Item number	1413158
Packing unit	1 pc
Minimum order quantity	1 pc
Sales key	AB11
Product key	ABNABH
GTIN	4046356989930
Weight per piece (including packing)	21.68 g
Weight per piece (excluding packing)	21.68 g
Customs tariff number	85444210
Country of origin	PL

1413158

<https://www.phoenixcontact.com/us/products/1413158>

## Technical data

### Product properties

Product type	Data cable preassembled
Product family	RJ45 STANDARD CAT6A
Sensor type	Ethernet
Number of positions	8
Connection profile	RJ45
Shielded	yes

### Signaling

Status display	no
Status display present	no

### Electrical properties

Rated voltage (III/3)	72 V (DC)
Nominal voltage $U_N$	48 V
Nominal current $I_N$	0.5 A
Transmission medium	Copper
Transmission speed	10 Gbps (500 MHz)
Transmission speed	10 Gbps

### Mechanical properties


#### Mechanical data

Insertion/withdrawal cycles	200
Insertion force per signal contact	50.00 N
Extraction force per signal contact	30 N

### Material specifications

Contact material	CuSn
Contact surface material	Au
Contact carrier material	PC
Outer sheath, material	PUR

### Dimensions

Dimensional drawing	
Width	12.6 mm
Height	6.6 mm
Length	40.05 mm

1413158

<https://www.phoenixcontact.com/us/products/1413158>

## Connection data

### Connection technology

Connection method	Pierce connection
-------------------	-------------------

### Conductor connection

Connection method	Pierce connection
-------------------	-------------------

## Connector

### Connection 1

Type	Plug straight RJ45
Shielded	yes
Insertion/withdrawal cycles	≥ 750
Degree of protection	IP20

### Connection 2

Type	Plug straight RJ45
Shielded	yes
Insertion/withdrawal cycles	≥ 750
Degree of protection	IP20

## Cable/line

Cable length	0.30 m
--------------	--------

### Ethernet, CAT6<sub>A</sub>, 4-pair, S/FTP [94G]

Number of positions	8
Shielded	yes
Cable type	Ethernet, CAT6 <sub>A</sub> , 4-pair, S/FTP [94G]
Conductor structure	2x2xAWG26/7, S/FTP
AWG signal line	26
Outer sheath, material	PUR
External sheath, color	water blue RAL 5021
Optical shield covering	65 %
Flame resistance	according to IEC 60332-1

## Standards and regulations

Flame resistance	IEC 60332-1
------------------	-------------

# NBC-R4AC1/0,3-94G/R4AC1-BU - Patch cable

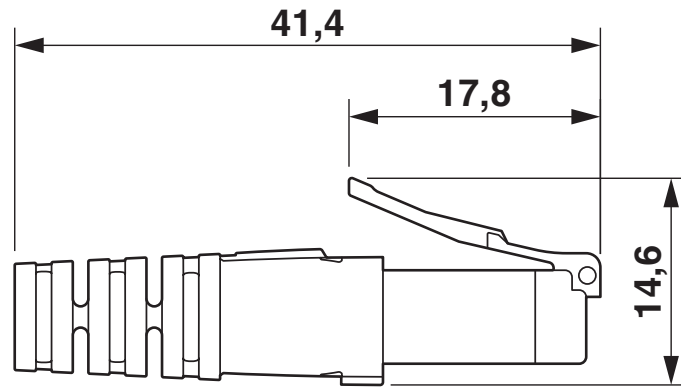
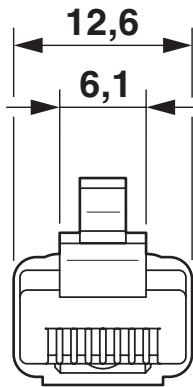


1413158

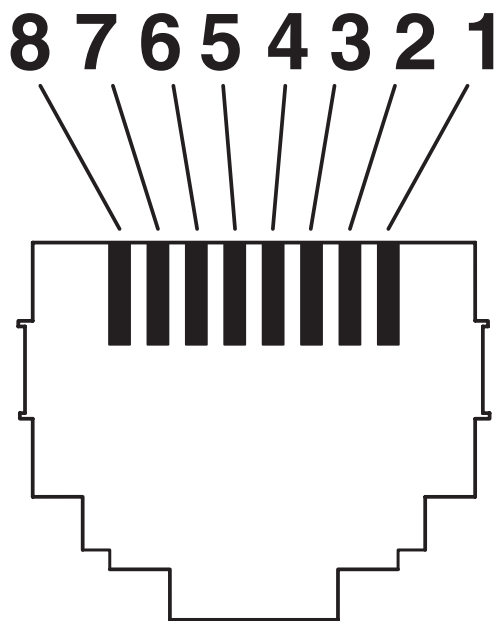
<https://www.phoenixcontact.com/us/products/1413158>

## Drawings

Dimensional drawing



Schematic diagram



Connector pin assignment plug RJ45

# NBC-R4AC1/0,3-94G/R4AC1-BU - Patch cable



1413158

<https://www.phoenixcontact.com/us/products/1413158>

## Approvals

To download certificates, visit the product detail page: <https://www.phoenixcontact.com/us/products/1413158>



**EAC**

Approval ID: 19060508

# NBC-R4AC1/0,3-94G/R4AC1-BU - Patch cable



1413158

<https://www.phoenixcontact.com/us/products/1413158>

## Classifications

### ECLASS

ECLASS-13.0	27060307
ECLASS-15.0	27060307

### UNSPSC

UNSPSC 21.0	26121600
-------------	----------

# NBC-R4AC1/0,3-94G/R4AC1-BU - Patch cable



1413158

<https://www.phoenixcontact.com/us/products/1413158>

## Environmental product compliance

### EU RoHS

Fulfills EU RoHS substance requirements	Yes, No exemptions
---	--------------------

### China RoHS

Environment friendly use period (EFUP)	EFUP-E
	No hazardous substances above the limits

### EU REACH SVHC

REACH candidate substance (CAS No.)	No substance above 0.1 wt%
-------------------------------------	----------------------------

Phoenix Contact 2026 © - all rights reserved  
<https://www.phoenixcontact.com>

Phoenix Contact USA  
586 Fulling Mill Road  
Middletown, PA 17057, United States  
(+717) 944-1300  
[info@phoenixcon.com](mailto:info@phoenixcon.com)