

SAC-4P-M12MS/10,0-600/M12FS HD - Sensor/actuator cable



1413140

<https://www.phoenixcontact.com/us/products/1413140>

Please be informed that the data shown in this PDF document is generated from our online catalog. Please find the complete data in the user documentation. Our general terms of use for downloads are valid.



Sensor/actuator cable, 4-position, PP-EPDM, gray RAL 7035, cable length: 10 m, Hygienic design, with high-grade steel knurl

Your advantages

- Easy and safe: 100 % electrically tested plug-in components
- Stainless steel type 1.4404 used to provide corrosion protection for all exposed metal parts
- Contamination can be detected quickly – thanks to the light color

Commercial data

Item number	1413140
Packing unit	1 pc
Minimum order quantity	25 pc
Product key	AF1CCA
GTIN	4046356987936
Weight per piece (including packing)	289.4 g
Weight per piece (excluding packing)	289.4 g
Country of origin	PL

SAC-4P-M12MS/10,0-600/M12FS HD - Sensor/actuator cable

1413140

<https://www.phoenixcontact.com/us/products/1413140>

Technical data

Product properties

Product type	Sensor/actuator cable
Application	Food processing industry
Number of positions	4
Shielded	no

Insulation characteristics

Overvoltage category	II
Degree of pollution	3

Electrical properties

Nominal voltage U_N	250 V AC
	250 V DC
Nominal current I_N	4 A

Signaling

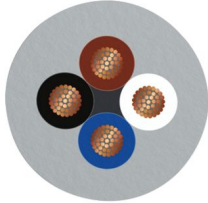
Status display	no
Status display present	no

Connection data

Conductor connection

Tightening torque	0.4 Nm
-------------------	--------

Cable/line

Cable length	10 m
Dimensional drawing	
Cable weight	30 kg/km
Number of positions	4
Shielded	no
Conductor structure signal line	42x 0.10 mm
AWG signal line	22
Conductor cross-section	4x 0.34 mm ² (Signal line)
Wire diameter incl. insulation	1.27 mm ±0.02 mm (Signal line)
External cable diameter	4.70 mm ±0.15 mm

SAC-4P-M12MS/10,0-600/M12FS HD - Sensor/actuator cable



1413140

<https://www.phoenixcontact.com/us/products/1413140>

Outer sheath, material	PP-EPDM
External sheath, color	gray RAL 7035
Conductor material	Bare Cu litz wires
Material wire insulation	PP
Single wire, color	brown, white, blue, black
Thickness, insulation	≥ 0.21 mm
Thickness, outer sheath	approx. 0.80 mm
Overall twist	4 wires, twisted
Length of twist, overall twist	48 mm
Max. conductor resistance	approx. 58 Ω/km
Insulation resistance	≥ 1 GΩ*km
Nominal voltage, cable	≤ 300 V
Test voltage	≥ 3000 V
Minimum bending radius, fixed installation	5 x D
Minimum bending radius, flexible installation	10 x D
Smallest bending radius, fixed installation	24 mm
Smallest bending radius, movable installation	47 mm
Dynamic load capacity (bending)	Max. bending cycles: 4000000, Bending radius: 10 x D, Traversing path: 10 m, Traversing rate: 3 m/s, Acceleration: 10 m/s ²
Dynamic load capacity (torsion)	Torsion: ±270 °/m, Torsion cycles: ≥4000000, Torsional frequency: ≤25 Torsion cycles/min
Halogen-free	in accordance with DIN VDE 0472 part 815
Other resistance	Resistant to cold bending and cold impacts (according to DIN EN 60811-1-4 (-40 °C))
Special properties	partly suitable for use with drag chain
Ambient temperature (operation)	-40 °C ... 105 °C (cable, fixed installation) -25 °C ... 105 °C (Cable, flexible installation)

Environmental and real-life conditions

Ambient conditions

Degree of protection	IP65
	IP67

Standards and regulations

M12

Standard designation	M12 connector
Standards/specifications	IEC 61076-2-101
Standard designation	Material conformance
Standards/specifications	FDA 21 CFR 177.2600
Note	PP

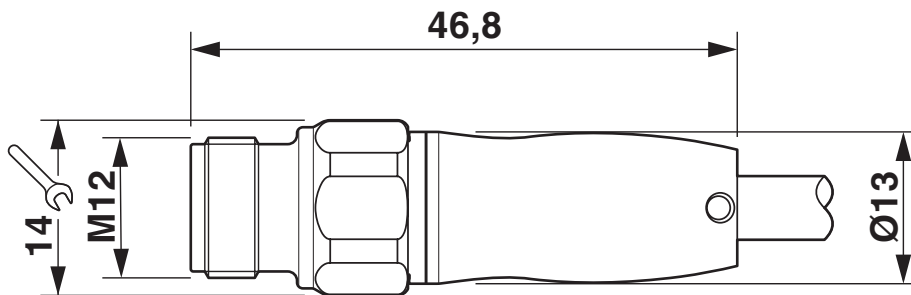
SAC-4P-M12MS/10,0-600/M12FS HD - Sensor/actuator cable

1413140

<https://www.phoenixcontact.com/us/products/1413140>

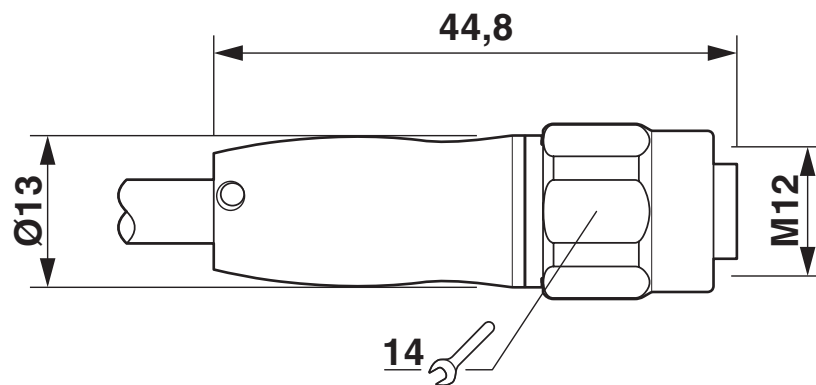
Drawings

Dimensional drawing



Plug, M12 x 1, straight, shielded

Dimensional drawing



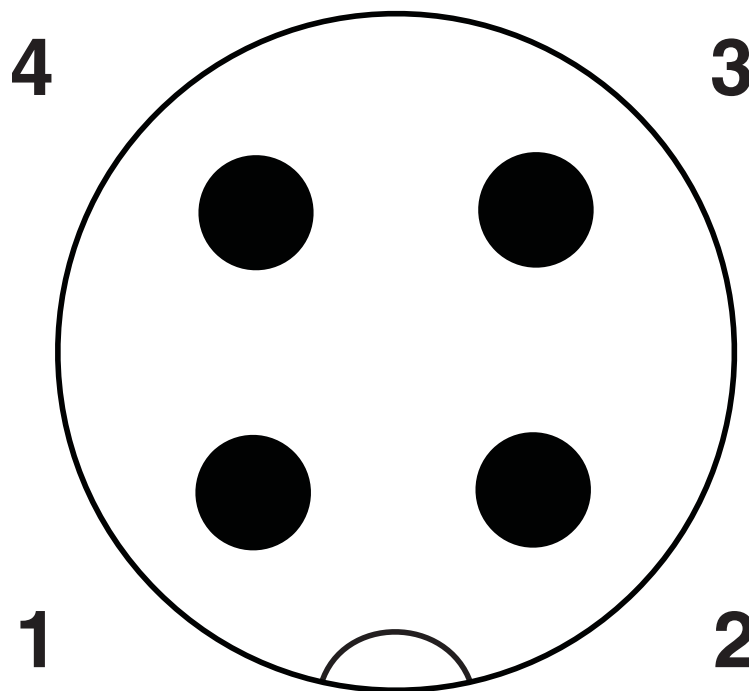
M12 x 1 socket, straight

SAC-4P-M12MS/10,0-600/M12FS HD - Sensor/actuator cable

1413140

<https://www.phoenixcontact.com/us/products/1413140>

Schematic diagram



Pin assignment M12 plug, 4-pos., A-coded, view plug side

SAC-4P-M12MS/10,0-600/M12FS HD - Sensor/actuator cable

1413140

<https://www.phoenixcontact.com/us/products/1413140>

Schematic diagram



Pin assignment M12 socket, 4-pos., A-coded, view female side

Circuit diagram



Contact assignment of the M12 plug and the M12 socket

SAC-4P-M12MS/10,0-600/M12FS HD - Sensor/actuator cable



1413140

<https://www.phoenixcontact.com/us/products/1413140>

Classifications

ECLASS

ECLASS-13.0	27060311
ECLASS-15.0	27060311

SAC-4P-M12MS/10,0-600/M12FS HD - Sensor/actuator cable



1413140

<https://www.phoenixcontact.com/us/products/1413140>

Environmental product compliance

EU RoHS

Fulfills EU RoHS substance requirements	Yes, No exemptions
---	--------------------

China RoHS

Environment friendly use period (EFUP)	EFUP-E
	No hazardous substances above the limits

EU REACH SVHC

REACH candidate substance (CAS No.)	No substance above 0.1 wt%
-------------------------------------	----------------------------

Phoenix Contact 2026 © - all rights reserved
<https://www.phoenixcontact.com>

Phoenix Contact USA
586 Fulling Mill Road
Middletown, PA 17057, United States
(+717) 944-1300
info@phoenixcon.com