

VS-IP67/B-IP20-94C-LI/2,0 - Network cable



1412914

<https://www.phoenixcontact.com/us/products/1412914>

Please be informed that the data shown in this PDF document is generated from our online catalog. Please find the complete data in the user documentation. Our general terms of use for downloads are valid.



Assembled Ethernet cable, shielded, 4-pair, AWG 26 flexible cable conduit capable (19-wire), RAL 5021 (sea blue), RJ45 connector/IP67 black to RJ45 connector/IP20, line, length 2 m

Commercial data

| | |
|--------------------------------------|---------------|
| Item number | 1412914 |
| Packing unit | 1 pc |
| Minimum order quantity | 1 pc |
| Product key | ABNABE |
| GTIN | 4046356475716 |
| Weight per piece (including packing) | 1,691.77 g |
| Weight per piece (excluding packing) | 1,682.82 g |
| Country of origin | DE |

1412914

<https://www.phoenixcontact.com/us/products/1412914>

Technical data

Product properties

| | |
|----------------------|--------------------------|
| Product type | Data cable preassembled |
| Product family | RJ45 INDUSTRIAL IE8 CAT5 |
| Number of positions | 8 |
| No. of cable outlets | 1 |
| Number of slots | 1 |
| Shielded | yes |
| Cable outlet | straight |

Insulation characteristics

| | |
|---------------------|---|
| Degree of pollution | 2 |
|---------------------|---|

Interfaces

| | |
|----------------------|---------------|
| Signal type/category | Ethernet CAT5 |
|----------------------|---------------|

Electrical properties

| | |
|---------------------|--------|
| Transmission medium | Copper |
| Wave impedance | 100 Ω |

Mechanical properties

Mechanical data

| | |
|-----------------------------|-------|
| Insertion/withdrawal cycles | ≥ 750 |
|-----------------------------|-------|

Material specifications

| | |
|--|--------------------|
| Flammability rating according to UL 94 | V2 |
| Outer sheath, material | PUR |
| Conductor material | Bare Cu litz wires |

Connector

Connection 1

| | |
|----------------------|--------------------|
| Type | Plug straight RJ45 |
| Handle color | black |
| Degree of protection | IP67 |

Connection 2

| | |
|----------------------|--------------------|
| Type | Plug straight RJ45 |
| Handle color | gray |
| Degree of protection | IP20 |

Cable/line


| | |
|--------------|--------|
| Cable length | 2.00 m |
|--------------|--------|

VS-IP67/B-IP20-94C-LI/2,0 - Network cable

1412914

<https://www.phoenixcontact.com/us/products/1412914>

Ethernet drag chain CAT5, 4-pair [94C]

| | |
|---|--|
| Dimensional drawing |  |
| Cable weight | 57 kg/km |
| UL AWM Style | 20963 (80°C/30 V) |
| Number of positions | 8 |
| Shielded | yes |
| Cable type | Ethernet drag chain CAT5, 4-pair [94C] |
| Conductor structure | 4x2xAWG26/19, S/UTP |
| Signal runtime | 5.3 ns/m |
| Conductor structure signal line | 19x 0.10 mm |
| AWG signal line | 26 |
| Conductor cross-section | 4x 2x 0.14 mm ² |
| Wire diameter incl. insulation | 1 mm |
| External cable diameter | 6.90 mm +0.1 mm ... 0.2 mm |
| Outer sheath, material | PUR |
| External sheath, color | water blue RAL 5021 |
| Conductor material | Bare Cu litz wires |
| Material wire insulation | PP |
| Single wire, color | white/blue-blue, white/orange-orange, white/green-green, white/brown-brown |
| Thickness, outer sheath | 0.85 mm |
| Twisted pairs | 2 cores to the pair |
| Overall twist | Four pairs and four fillers to the core |
| Optical shield covering | 90 % |
| Insulation resistance | ≥ 500 MΩ*km |
| Coupling resistance | ≤ 100.00 mΩ/m (at 10 MHz) |
| Loop resistance | ≤ 290.00 Ω/km |
| Wave impedance | 100 Ω ±5 Ω (at 100 MHz) |
| Cable capacity | approx. 50 nF/km (at 1 kHz) |
| Nominal voltage, cable | ≤ 100 V |
| Test voltage Core/Core | 700 V (50 Hz, 1 min.) |
| Test voltage Core/Shield | 700.00 V (50 Hz, 1 min.) |
| Minimum bending radius, fixed installation | 4 x D |
| Minimum bending radius, flexible installation | 8 x D |
| Smallest bending radius, fixed installation | 28 mm |
| Smallest bending radius, movable installation | 56 mm |

VS-IP67/B-IP20-94C-LI/2,0 - Network cable



1412914

<https://www.phoenixcontact.com/us/products/1412914>

| | |
|--|---|
| Dynamic load capacity (bending) | Max. bending cycles: 5000000, Bending radius: 7,5 x D, Traversing rate: 3 m/s, Acceleration: 5 m/s ² |
| Tensile strength | ≤ 100 N |
| Near end crosstalk attenuation (NEXT) | 65.3 dB (with 1 MHz) |
| | 56.3 dB (at 4 MHz) |
| | 50.3 dB (at 10 MHz) |
| | 47.2 dB (at 16 MHz) |
| | 45.8 dB (at 20 MHz) |
| | 42.9 dB (at 31.25 MHz) |
| | 38.4 dB (at 62.5 MHz) |
| | 35.3 dB (at 100 MHz) |
| Power-summated near end crosstalk attenuation (PSNEXT) | 62.3 dB (with 1 MHz) |
| | 53.3 dB (at 4 MHz) |
| | 47.3 dB (at 10 MHz) |
| | 44.2 dB (at 16 MHz) |
| | 42.8 dB (at 20 MHz) |
| | 39.9 dB (at 31.25 MHz) |
| | 35.4 dB (at 62.5 MHz) |
| | 32.3 dB (at 100 MHz) |
| Return attenuation (RL) | 23 dB (at 4 MHz) |
| | 24.1 dB (at 8 MHz) |
| | 25 dB (at 10 MHz) |
| | 25 dB (at 16 MHz) |
| | 25 dB (at 20 MHz) |
| | 23.6 dB (at 31.25 MHz) |
| | 21.5 dB (at 62.5 MHz) |
| | 20.1 dB (at 100 MHz) |
| Shield attenuation | 3.2 dB (with 1 MHz) |
| | 6 dB (at 4 MHz) |
| | 9.5 dB (at 10 MHz) |
| | 12.1 dB (at 16 MHz) |
| | 13.6 dB (at 20 MHz) |
| | 17.1 dB (at 31.25 MHz) |
| | 24.8 dB (at 62.5 MHz) |
| | 32 dB (at 100 MHz) |
| Halogen-free | according to IEC 60754-1 |
| Flame resistance | according to IEC 60332-1-2 |
| Resistance to oil | in accordance with EN 60811-2-1 |
| Ambient temperature (operation) | -40 °C ... 80 °C (cable, fixed installation) |
| | -20 °C ... 80 °C (Cable, flexible installation) |
| Ambient temperature (installation) | -20 °C ... 80 °C |

Environmental and real-life conditions

Ambient conditions

VS-IP67/B-IP20-94C-LI/2,0 - Network cable



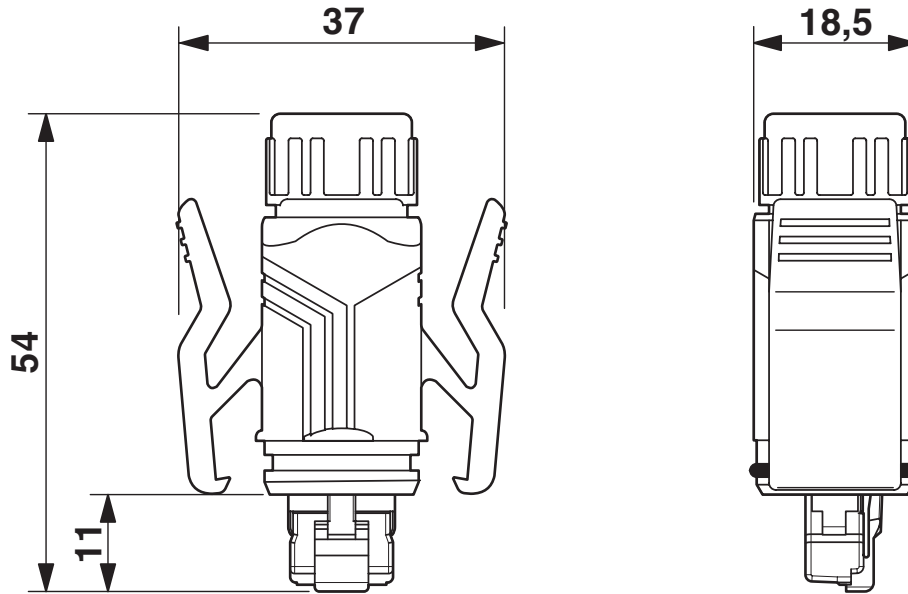
1412914

<https://www.phoenixcontact.com/us/products/1412914>

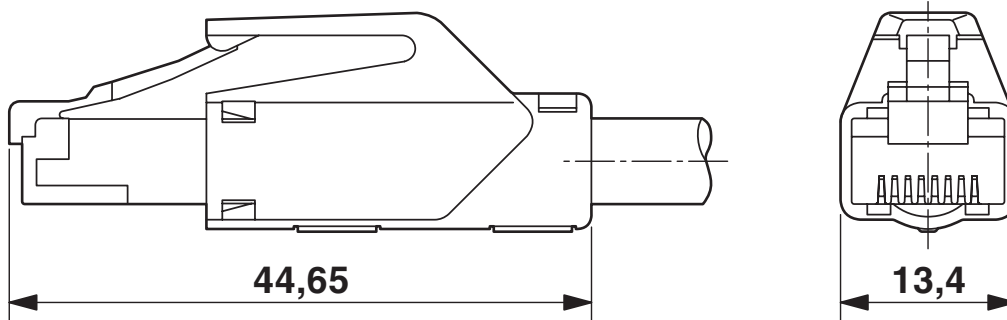
| | |
|----------------------|-----------|
| Degree of protection | IP20 |
| | IP67 |
| | IP67/IP20 |

Drawings

Dimensional drawing



Dimensional drawing



VS-IP67/B-IP20-94C-LI/2,0 - Network cable



1412914

<https://www.phoenixcontact.com/us/products/1412914>

Circuit diagram



VS-IP67/B-IP20-94C-LI/2,0 - Network cable



1412914

<https://www.phoenixcontact.com/us/products/1412914>

Classifications

ECLASS

| | |
|-------------|----------|
| ECLASS-13.0 | 27060307 |
| ECLASS-15.0 | 27060307 |

VS-IP67/B-IP20-94C-LI/2,0 - Network cable



1412914

<https://www.phoenixcontact.com/us/products/1412914>

Environmental product compliance

EU RoHS

| | |
|---|--------------------|
| Fulfills EU RoHS substance requirements | Yes, No exemptions |
|---|--------------------|

China RoHS

| | |
|--|---|
| Environment friendly use period (EFUP) | EFUP-50 |
| | An article-related China RoHS declaration table can be found in the download area for the respective article under "Manufacturer declaration". For all articles with EFUP-E, no China RoHS declaration table issued and required. |

EU REACH SVHC

| | |
|-------------------------------------|----------------------------|
| REACH candidate substance (CAS No.) | No substance above 0.1 wt% |
|-------------------------------------|----------------------------|

Phoenix Contact 2026 © - all rights reserved

<https://www.phoenixcontact.com>

Phoenix Contact USA
586 Fulling Mill Road
Middletown, PA 17057, United States
(+717) 944-1300
info@phoenixcon.com