

# VS-IP67-IP20-94C-LI/2,0 - Network cable



1412888

<https://www.phoenixcontact.com/us/products/1412888>

Please be informed that the data shown in this PDF document is generated from our online catalog. Please find the complete data in the user documentation. Our general terms of use for downloads are valid.



Assembled Ethernet cable, shielded, 4-pair, AWG 26 flexible cable conduit capable (19-wire), RAL 5021 (sea blue), RJ45 connector/IP67 gray to RJ45 connector/IP20, line, length 2 m

## Commercial data

Item number	1412888
Packing unit	1 pc
Minimum order quantity	1 pc
Note	Made to order (non-returnable)
Sales key	AB11
Product key	ABNABM
GTIN	4046356475709
Weight per piece (including packing)	158.1 g
Weight per piece (excluding packing)	309.763 g
Customs tariff number	85444210
Country of origin	PL

1412888

<https://www.phoenixcontact.com/us/products/1412888>

## Technical data

### Product properties

Product type	Data cable preassembled
Product family	RJ45 BASIC IE8 CAT5
Number of positions	8
Shielded	yes

### Interfaces

Signal type/category	Ethernet CAT5, 1 Gbps
----------------------	-----------------------

### Electrical properties

Transmission speed	1 Gbps
Transmission speed	1 Gbps
Wave impedance	100 Ω

### Material specifications

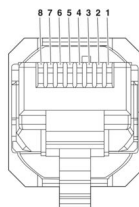
Outer sheath, material	PUR
Conductor material	Bare Cu litz wires

### Connector

#### Connection 1

Type	RJ45 Plug, straight, 8-position, Locking clips
Number of positions	8
Signal type/category	Ethernet CAT5 (IEC 11801:2002), 100 Mbps
Insertion/withdrawal cycles	≥ 750
Degree of pollution	2
Material Housing	Plastic
Color (Housing)	gray
Flammability rating according to UL 94	V2
Degree of protection	IP67
Ambient temperature (operation)	0 °C ... 70 °C

#### Connection 2

Dimensional drawing	 <p>Connector pin assignment</p>
Type	RJ45 Plug, straight, 8-position
Number of positions	8

# VS-IP67-IP20-94C-LI/2,0 - Network cable



1412888


<https://www.phoenixcontact.com/us/products/1412888>

Signal type/category	Ethernet CAT5 (IEC 11801:2002), 1 Gbps
Insertion/withdrawal cycles	≥ 1000
Insertion force	< 20 N (per signal contact)
Withdrawal force	< 20 N (per signal contact)
Insulation resistance	> 500 MΩ
Overvoltage category	I
Degree of pollution	2
Material Contact	CuSn
Material Contact surface	Ni/Au
Material Contact carrier	PC
Color (Housing)	gray
Flammability rating according to UL 94	V0
Degree of protection	IP20
Ambient temperature (operation)	-20 °C ... 70 °C

## Cable/line

Cable length	2.00 m
--------------	--------

### Ethernet drag chain CAT5, 4-pair [94C]

Dimensional drawing	
Cable weight	57 kg/km
UL AWM Style	20963 (80°C/30 V)
Number of positions	8
Shielded	yes
Cable type	Ethernet drag chain CAT5, 4-pair [94C]
Conductor structure	4x2xAWG26/19, S/UTP
Signal runtime	5.3 ns/m
Conductor structure signal line	19x 0.10 mm
AWG signal line	26
Conductor cross-section	4x 2x 0.14 mm <sup>2</sup>
Wire diameter incl. insulation	1 mm
External cable diameter	6.90 mm +0.1 mm ... 0.2 mm
Outer sheath, material	PUR
External sheath, color	water blue RAL 5021
Conductor material	Bare Cu litz wires
Material wire insulation	PP
Single wire, color	white/blue-blue, white/orange-orange, white/green-green,

# VS-IP67-IP20-94C-LI/2,0 - Network cable



1412888

<https://www.phoenixcontact.com/us/products/1412888>

	white/brown-brown
Thickness, outer sheath	0.85 mm
Twisted pairs	2 cores to the pair
Overall twist	Four pairs and four fillers to the core
Optical shield covering	90 %
Insulation resistance	≥ 500 MΩ*km
Coupling resistance	≤ 100.00 mΩ/m (at 10 MHz)
Loop resistance	≤ 290.00 Ω/km
Wave impedance	100 Ω ±5 Ω (at 100 MHz)
Cable capacity	approx. 50 nF/km (at 1 kHz)
Nominal voltage, cable	≤ 100 V
Test voltage Core/Core	700 V (50 Hz, 1 min.)
Test voltage Core/Shield	700.00 V (50 Hz, 1 min.)
Minimum bending radius, fixed installation	4 x D
Minimum bending radius, flexible installation	8 x D
Smallest bending radius, fixed installation	28 mm
Smallest bending radius, movable installation	56 mm
Dynamic load capacity (bending)	Max. bending cycles: 5000000, Bending radius: 7,5 x D, Traversing rate: 3 m/s, Acceleration: 5 m/s <sup>2</sup>
Tensile strength	≤ 100 N
Near end crosstalk attenuation (NEXT)	65.3 dB (with 1 MHz)
	56.3 dB (at 4 MHz)
	50.3 dB (at 10 MHz)
	47.2 dB (at 16 MHz)
	45.8 dB (at 20 MHz)
	42.9 dB (at 31.25 MHz)
	38.4 dB (at 62.5 MHz)
Power-summated near end crosstalk attenuation (PSNEXT)	35.3 dB (at 100 MHz)
	62.3 dB (with 1 MHz)
	53.3 dB (at 4 MHz)
	47.3 dB (at 10 MHz)
	44.2 dB (at 16 MHz)
	42.8 dB (at 20 MHz)
	39.9 dB (at 31.25 MHz)
Return attenuation (RL)	35.4 dB (at 62.5 MHz)
	32.3 dB (at 100 MHz)
	23 dB (at 4 MHz)
	24.1 dB (at 8 MHz)
	25 dB (at 10 MHz)
	25 dB (at 16 MHz)
	25 dB (at 20 MHz)
	23.6 dB (at 31.25 MHz)
	21.5 dB (at 62.5 MHz)
	20.1 dB (at 100 MHz)

# VS-IP67-IP20-94C-LI/2,0 - Network cable



1412888

<https://www.phoenixcontact.com/us/products/1412888>

Shield attenuation	3.2 dB (with 1 MHz)
	6 dB (at 4 MHz)
	9.5 dB (at 10 MHz)
	12.1 dB (at 16 MHz)
	13.6 dB (at 20 MHz)
	17.1 dB (at 31.25 MHz)
	24.8 dB (at 62.5 MHz)
	32 dB (at 100 MHz)
Halogen-free	according to IEC 60754-1
Flame resistance	according to IEC 60332-1-2
Resistance to oil	in accordance with EN 60811-2-1
Ambient temperature (operation)	-40 °C ... 80 °C (cable, fixed installation)
	-20 °C ... 80 °C (Cable, flexible installation)
Ambient temperature (installation)	-20 °C ... 80 °C

Drawings

Circuit diagram



# VS-IP67-IP20-94C-LI/2,0 - Network cable



1412888

<https://www.phoenixcontact.com/us/products/1412888>

## Approvals

To download certificates, visit the product detail page: <https://www.phoenixcontact.com/us/products/1412888>



**EAC**

Approval ID: 19060508

# VS-IP67-IP20-94C-LI/2,0 - Network cable



1412888

<https://www.phoenixcontact.com/us/products/1412888>

## Classifications

### ECLASS

ECLASS-13.0	27060307
ECLASS-15.0	27060307

### UNSPSC

UNSPSC 21.0	26121600
-------------	----------

1412888

<https://www.phoenixcontact.com/us/products/1412888>

## Environmental product compliance

### EU RoHS

Fulfills EU RoHS substance requirements	Yes, No exemptions
---	--------------------

### China RoHS

Environment friendly use period (EFUP)	EFUP-E
	No hazardous substances above the limits

### EU REACH SVHC

REACH candidate substance (CAS No.)	6,6'-di-tert-butyl-2,2'-methylenedi-p-cresol(CAS: 119-47-1)
	2-(2H-benzotriazol-2-yl)-4-(1,1,3,3-tetramethylbutyl)phenol (UV-329)(CAS: 3147-75-9)
SCIP	8ca901ba-5a1e-4728-be39-4550279577cc

### EF3.1 Climate Change

CO2e kg	6.727 kg CO2e
---------	---------------

Phoenix Contact 2026 © - all rights reserved  
<https://www.phoenixcontact.com>

Phoenix Contact USA  
 586 Fulling Mill Road  
 Middletown, PA 17057, United States  
 (+717) 944-1300  
[info@phoenixcon.com](mailto:info@phoenixcon.com)