

# HC-STA-B16-SLWS-2SSM25-ELC-AL - Housing



1412861

<https://www.phoenixcontact.com/us/products/1412861>

Please be informed that the data shown in this PDF document is generated from our online catalog. Please find the complete data in the user documentation. Our general terms of use for downloads are valid.



Surface mounting housing B16, with single locking latch, material: Die-cast aluminum, salt water resistant, cable outlets: 2, lateral, 2x M25, height: 68 mm, cable gland: none, Standard

## Your advantages

- Good shielding in the event of electromagnetic interference

## Commercial data

Item number	1412861
Packing unit	1 pc
Minimum order quantity	1 pc
Sales key	BF56
Product key	AF7APB
GTIN	4055626061108
Weight per piece (including packing)	322 g
Weight per piece (excluding packing)	319 g
Customs tariff number	85389099
Country of origin	PL

1412861

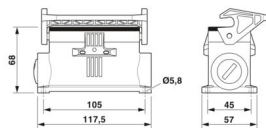
<https://www.phoenixcontact.com/us/products/1412861>

## Technical data

### Product properties

Product type	Housing with locking latch
Housing type	Surface mounting housing
Application	Standard
Type	B16
No. of cable outlets	2
Type of the screw connection	2x M25
Cable outlet	lateral
Pg screw connection	none

### Dimensions

Dimensional drawing	
Width	57 mm
Height	68 mm
Length	117.5 mm
Hole diameter	5.5 mm

### Material specifications

Flammability rating according to UL 94	V0 (Interlock)
Seal material	NBR, conductive
Housing material	Die-cast aluminum, salt water resistant
Housing surface material	uncoated
Locking latch material	PA

### Mechanical properties

#### Mechanical data

Type of the screw connection	2x M25
Locking type	Latch

### Connection data

Tightening torque	2 Nm ... 3 Nm (for M5 mounting screws on the surface-mount housing)
-------------------	---

### Mounting

Assembly note	One opening is sealed with a plastic filler plug and can be opened using a screwdriver.
---------------	---

### Environmental and real-life conditions

# HC-STA-B16-SLWS-2SSM25-ELC-AL - Housing



1412861

<https://www.phoenixcontact.com/us/products/1412861>

## Ambient conditions

Degree of protection	IP66
	IP67
Enclosure rating (NEMA)	4 (UL 50e)
	4X (UL 50e)
	12 (UL 50e)
Impact strength	IK08
Ambient temperature (operation)	-40 °C ... 125 °C

# HC-STA-B16-SLWS-2SSM25-ELC-AL - Housing

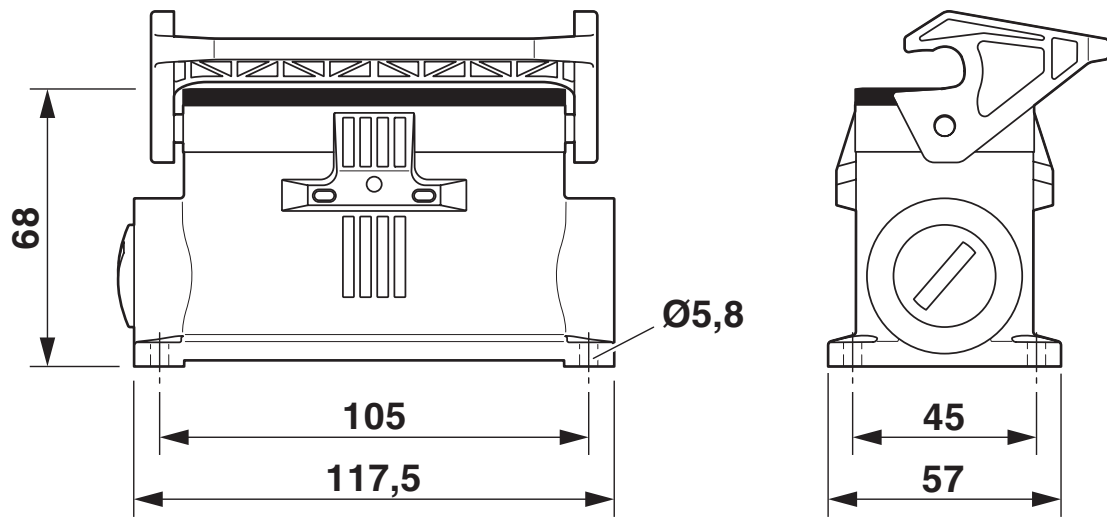


1412861

<https://www.phoenixcontact.com/us/products/1412861>

## Drawings

Dimensional drawing



Dimensional drawing

1412861

<https://www.phoenixcontact.com/us/products/1412861>

## Approvals

To download certificates, visit the product detail page: <https://www.phoenixcontact.com/us/products/1412861>

**DNV**

Approval ID: TAE000037S



**cUL Recognized**

Approval ID: E255026



**UL Recognized**

Approval ID: E255026



**EAC**

Approval ID: RU C-DE.AI30.B.01102

1412861

<https://www.phoenixcontact.com/us/products/1412861>

## Classifications

### ECLASS

ECLASS-13.0	27440202
ECLASS-15.0	27440202

### ETIM

ETIM 10.0	EC000437
-----------	----------

### UNSPSC

UNSPSC 21.0	31261500
-------------	----------

1412861

<https://www.phoenixcontact.com/us/products/1412861>

## Environmental product compliance

### EU RoHS

Fulfills EU RoHS substance requirements	Yes, No exemptions
---	--------------------

### China RoHS

Environment friendly use period (EFUP)	EFUP-E
	No hazardous substances above the limits

### EU REACH SVHC

REACH candidate substance (CAS No.)	No substance above 0.1 wt%
-------------------------------------	----------------------------

### EF3.1 Climate Change

CO2e kg	5.366 kg CO2e
---------	---------------

Phoenix Contact 2026 © - all rights reserved  
<https://www.phoenixcontact.com>

Phoenix Contact USA  
586 Fulling Mill Road  
Middletown, PA 17057, United States  
(+717) 944-1300  
[info@phoenixcon.com](mailto:info@phoenixcon.com)