

# HC-STA-B06-SLWS-2SSP16-ELC-AL - Housing



1412823

<https://www.phoenixcontact.com/us/products/1412823>

Please be informed that the data shown in this PDF document is generated from our online catalog. Please find the complete data in the user documentation. Our general terms of use for downloads are valid.



Surface mounting housing B6, with single locking latch, material: Die-cast aluminum, salt water resistant, cable outlets: 2, lateral, 2x Pg16, height: 54.6 mm, cable gland: none, Standard

## Your advantages

- Good shielding in the event of electromagnetic interference

## Commercial data

Item number	1412823
Packing unit	1 pc
Minimum order quantity	1 pc
Sales key	BF56
Product key	AF7APB
GTIN	4055626060811
Weight per piece (including packing)	183.4 g
Weight per piece (excluding packing)	183 g
Customs tariff number	85389099
Country of origin	PL

1412823

<https://www.phoenixcontact.com/us/products/1412823>

## Technical data

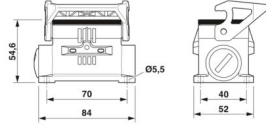
### Notes

General	For contact inserts HC-B6, BB10, DD24, M Tall housings for extra large wiring space
---------	---

### Product properties

Product type	Housing with locking latch
Housing type	Surface mounting housing
Application	Standard
Type	B6
No. of cable outlets	2
Type of the screw connection	2x Pg16
Cable outlet	lateral
Pg screw connection	none

### Dimensions

Dimensional drawing	
Width	52 mm
Height	54.6 mm
Length	84 mm
Hole diameter	5.5 mm

### Material specifications

Flammability rating according to UL 94	V0 (Interlock)
Seal material	NBR, conductive
Housing material	Die-cast aluminum, salt water resistant
Housing surface material	uncoated
Locking latch material	PA

### Mechanical properties

#### Mechanical data

Type of the screw connection	2x Pg16
Locking type	Latch

### Connection data

Tightening torque	2 Nm ... 3 Nm (for M5 mounting screws on the surface-mount housing)
-------------------	---

### Mounting

1412823

<https://www.phoenixcontact.com/us/products/1412823>

Assembly note	One opening is sealed with a plastic filler plug and can be opened using a screwdriver.
---------------	---

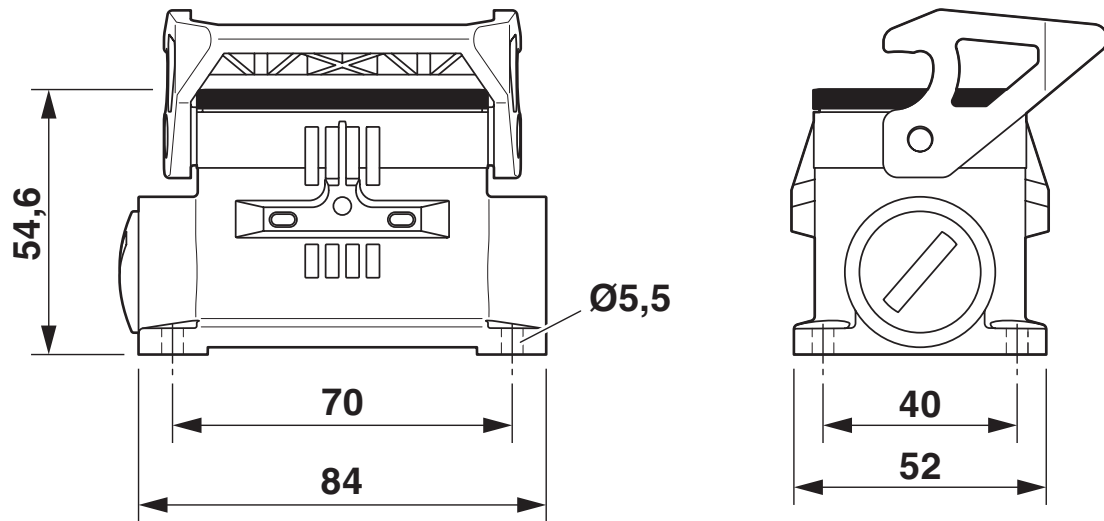
## Environmental and real-life conditions

### Ambient conditions

Degree of protection	IP66
	IP67
Enclosure rating (NEMA)	4 (UL 50e)
	4X (UL 50e)
	12 (UL 50e)
Impact strength	IK08
Ambient temperature (operation)	-40 °C ... 125 °C

Drawings

Dimensional drawing




Dimensional drawing

1412823

<https://www.phoenixcontact.com/us/products/1412823>

## Approvals

To download certificates, visit the product detail page: <https://www.phoenixcontact.com/us/products/1412823>

 **EAC**  
Approval ID: RU C-DE.AI30.B.01102

 **cUL Recognized**  
Approval ID: E255026

 **UL Recognized**  
Approval ID: E255026

**DNV**  
Approval ID: TAE000037S

1412823

<https://www.phoenixcontact.com/us/products/1412823>

## Classifications

### ECLASS

ECLASS-13.0	27440202
ECLASS-15.0	27440202

### ETIM

ETIM 10.0	EC000437
-----------	----------

### UNSPSC

UNSPSC 21.0	31261500
-------------	----------

1412823

<https://www.phoenixcontact.com/us/products/1412823>

## Environmental product compliance

### EU RoHS

Fulfills EU RoHS substance requirements	Yes, No exemptions
---	--------------------

### China RoHS

Environment friendly use period (EFUP)	EFUP-E
	No hazardous substances above the limits

### EU REACH SVHC

REACH candidate substance (CAS No.)	No substance above 0.1 wt%
-------------------------------------	----------------------------

### EF3.1 Climate Change

CO2e kg	4.137 kg CO2e
---------	---------------

Phoenix Contact 2026 © - all rights reserved  
<https://www.phoenixcontact.com>

Phoenix Contact USA  
586 Fulling Mill Road  
Middletown, PA 17057, United States  
(+717) 944-1300  
[info@phoenixcon.com](mailto:info@phoenixcon.com)