

# HC-STA-B24-HHWD-1TTP29-EL-AL - Housing



1412772

<https://www.phoenixcontact.com/us/products/1412772>

Please be informed that the data shown in this PDF document is generated from our online catalog. Please find the complete data in the user documentation. Our general terms of use for downloads are valid.



Sleeve housing B24, with double locking latch, material: Die-cast aluminum, salt water resistant, cable outlets: 1, straight, 1x Pg29, height: 76 mm, cable gland: none, Standard

## Your advantages

- Good shielding in the event of electromagnetic interference

## Commercial data

Item number	1412772
Packing unit	1 pc
Minimum order quantity	1 pc
Sales key	BF56
Product key	AF7APB
GTIN	4055626060385
Weight per piece (including packing)	303.7 g
Weight per piece (excluding packing)	308.8 g
Customs tariff number	85389099
Country of origin	PL

# HC-STA-B24-HHWD-1TTP29-EL-AL - Housing

1412772

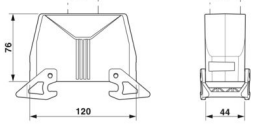
<https://www.phoenixcontact.com/us/products/1412772>

## Technical data

### Product properties

Product type	Housing with locking latch
Housing type	Sleeve housing
Application	Standard
Type	B24
No. of cable outlets	1
Type of the screw connection	1x Pg29
Cable outlet	straight
Pg screw connection	none

### Dimensions

Dimensional drawing	
Width	44 mm
Height	76 mm
Length	120 mm

### Internal dimensions

Length of internal thread	14 mm
---------------------------	-------

### Material specifications

Flammability rating according to UL 94	V0 (Interlock)
Housing material	Die-cast aluminum, salt water resistant
Housing surface material	uncoated
Locking latch material	PA

### Mechanical properties

#### Mechanical data

Type of the screw connection	1x Pg29
Locking type	Latch

### Environmental and real-life conditions

#### Ambient conditions

Degree of protection	IP66
	IP67
Enclosure rating (NEMA)	4 (UL 50e)
	4X (UL 50e)
	12 (UL 50e)

# HC-STA-B24-HHWD-1TTP29-EL-AL - Housing



1412772

<https://www.phoenixcontact.com/us/products/1412772>

Impact strength	IK09
Ambient temperature (operation)	-40 °C ... 125 °C

# HC-STA-B24-HHWD-1TTP29-EL-AL - Housing

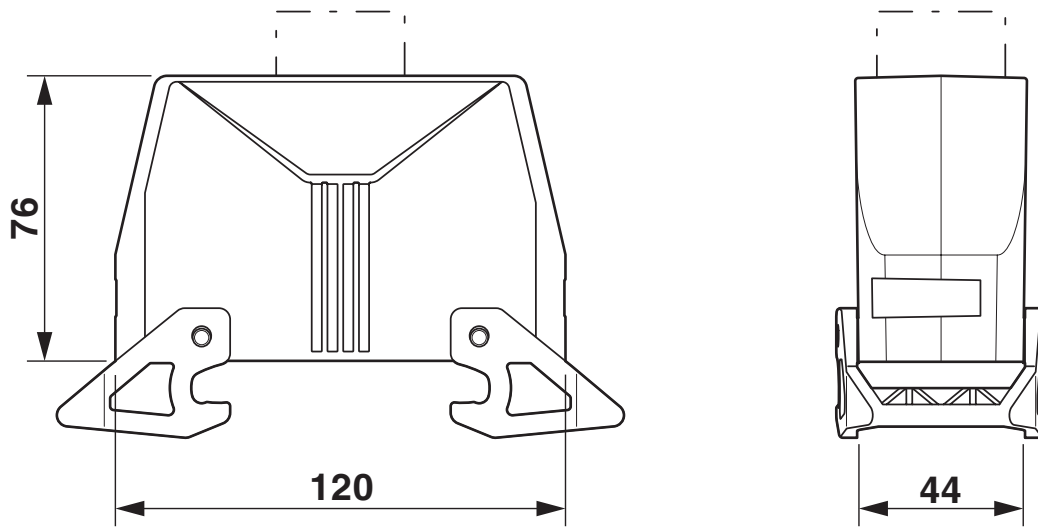


1412772

<https://www.phoenixcontact.com/us/products/1412772>

## Drawings

Dimensional drawing



Dimensional drawing

1412772

<https://www.phoenixcontact.com/us/products/1412772>

## Approvals

To download certificates, visit the product detail page: <https://www.phoenixcontact.com/us/products/1412772>

**DNV**

Approval ID: TAE000037S



**cUL Recognized**

Approval ID: E255026



**UL Recognized**

Approval ID: E255026



**EAC**

Approval ID: RU C-DE.AI30.B.01102

# HC-STA-B24-HHWD-1TTP29-EL-AL - Housing



1412772

<https://www.phoenixcontact.com/us/products/1412772>

## Classifications

### ECLASS

ECLASS-13.0	27440202
ECLASS-15.0	27440202

### ETIM

ETIM 10.0	EC000437
-----------	----------

### UNSPSC

UNSPSC 21.0	31261500
-------------	----------

1412772

<https://www.phoenixcontact.com/us/products/1412772>

## Environmental product compliance

### EU RoHS

Fulfills EU RoHS substance requirements	Yes, No exemptions
---	--------------------

### China RoHS

Environment friendly use period (EFUP)	EFUP-E
	No hazardous substances above the limits

### EU REACH SVHC

REACH candidate substance (CAS No.)	No substance above 0.1 wt%
-------------------------------------	----------------------------

### EF3.1 Climate Change

CO2e kg	4.997 kg CO2e
---------	---------------

Phoenix Contact 2026 © - all rights reserved  
<https://www.phoenixcontact.com>

Phoenix Contact USA  
586 Fulling Mill Road  
Middletown, PA 17057, United States  
(+717) 944-1300  
[info@phoenixcon.com](mailto:info@phoenixcon.com)