

# HC-STA-B24-HHFD-1STM32-EL-AL - Housing



1412750

<https://www.phoenixcontact.com/us/products/1412750>

Please be informed that the data shown in this PDF document is generated from our online catalog. Please find the complete data in the user documentation. Our general terms of use for downloads are valid.



Sleeve housing B24, for double locking latch, material: Die-cast aluminum, salt water resistant, cable outlets: 1, lateral, 1x M32, height: 76 mm, cable gland: none, Standard

## Your advantages

- Good shielding in the event of electromagnetic interference

## Commercial data

Item number	1412750
Packing unit	1 pc
Minimum order quantity	1 pc
Sales key	BF56
Product key	AF7APB
GTIN	4055626060156
Weight per piece (including packing)	278.5 g
Weight per piece (excluding packing)	276.8 g
Customs tariff number	85389099
Country of origin	PL

# HC-STA-B24-HHFD-1STM32-EL-AL - Housing



1412750

<https://www.phoenixcontact.com/us/products/1412750>

## Technical data

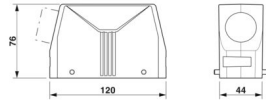
### Notes

Notes on the product family	for contact inserts HC-B24, BB46, D64, DD108, HV10/16, M
Note on application	compatible with module carrier frames with click-in function

### Product properties

Product type	Housing with locking latch
Housing type	Sleeve housing
Application	Standard
Type	B24
No. of cable outlets	1
Type of the screw connection	1x M32
Cable outlet	lateral
Pg screw connection	none

### Dimensions

Dimensional drawing	
Width	44 mm
Height	76 mm
Length	120 mm

### Material specifications

Housing material	Die-cast aluminum, salt water resistant
Housing surface material	uncoated

### Mechanical properties

#### Mechanical data

Type of the screw connection	1x M32
Locking type	Pin

### Environmental and real-life conditions

#### Ambient conditions

Degree of protection	IP66
	IP67
Enclosure rating (NEMA)	4 (UL 50e)
	4X (UL 50e)
	12 (UL 50e)
Impact strength	IK09

# HC-STA-B24-HHFD-1STM32-EL-AL - Housing



1412750

<https://www.phoenixcontact.com/us/products/1412750>

Ambient temperature (operation)

-40 °C ... 125 °C

# HC-STA-B24-HHFD-1STM32-EL-AL - Housing

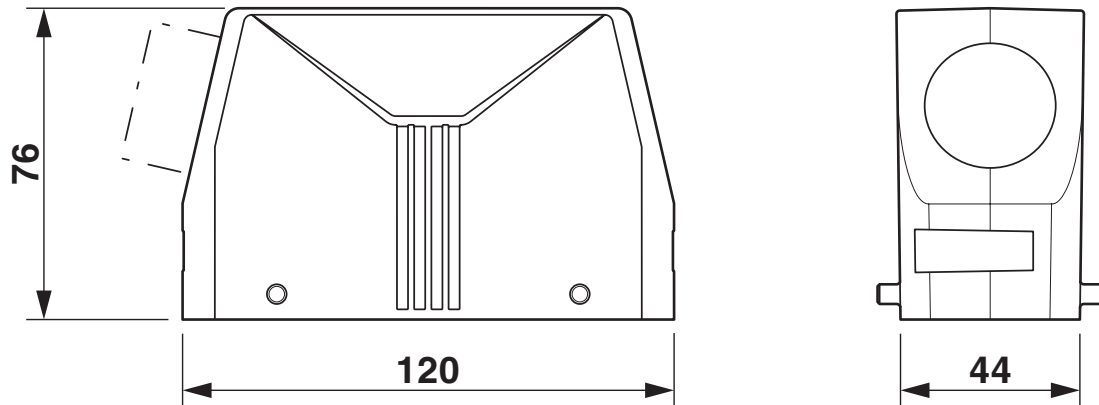


1412750

<https://www.phoenixcontact.com/us/products/1412750>

## Drawings

Dimensional drawing




Dimensional drawing

1412750

<https://www.phoenixcontact.com/us/products/1412750>

## Approvals

 To download certificates, visit the product detail page: <https://www.phoenixcontact.com/us/products/1412750>

**DNV**

Approval ID: TAE000037S



**cUL Recognized**

Approval ID: E255026



**UL Recognized**

Approval ID: E255026

1412750

<https://www.phoenixcontact.com/us/products/1412750>

## Classifications

### ECLASS

ECLASS-13.0	27440202
ECLASS-15.0	27440202

### ETIM

ETIM 10.0	EC000437
-----------	----------

### UNSPSC

UNSPSC 21.0	31261500
-------------	----------

1412750

<https://www.phoenixcontact.com/us/products/1412750>

## Environmental product compliance

### EU RoHS

Fulfills EU RoHS substance requirements	Yes, No exemptions
---	--------------------

### China RoHS

Environment friendly use period (EFUP)	EFUP-E
	No hazardous substances above the limits

### EU REACH SVHC

REACH candidate substance (CAS No.)	No substance above 0.1 wt%
-------------------------------------	----------------------------

### EF3.1 Climate Change

CO2e kg	4.86 kg CO2e
---------	--------------

Phoenix Contact 2026 © - all rights reserved  
<https://www.phoenixcontact.com>

Phoenix Contact USA  
586 Fulling Mill Road  
Middletown, PA 17057, United States  
(+717) 944-1300  
[info@phoenixcon.com](mailto:info@phoenixcon.com)