

# VS-IP67/B-OE-94C-LI/2,0 - Network cable



1412707

<https://www.phoenixcontact.com/us/products/1412707>

Please be informed that the data shown in this PDF document is generated from our online catalog. Please find the complete data in the user documentation. Our general terms of use for downloads are valid.



Assembled Ethernet cable, shielded, 4-pair, AWG 26 flexible cable conduit capable (19-wire), RAL 5021 (sea blue), RJ45 connector/IP67 black to free cable end, line, length 2 m

## Commercial data

Item number	1412707
Packing unit	1 pc
Minimum order quantity	1 pc
Product key	ABNABM
GTIN	4046356475648
Weight per piece (including packing)	1,701.37 g
Weight per piece (excluding packing)	138.563 g
Country of origin	DE

# VS-IP67/B-OE-94C-LI/2,0 - Network cable



1412707

<https://www.phoenixcontact.com/us/products/1412707>

## Technical data

### Product properties

Product type	Data cable preassembled
Product family	RJ45 BASIC IE8 CAT5
Number of positions	8
No. of cable outlets	1
Number of slots	1
Shielded	yes
Cable outlet	straight

### Insulation characteristics

Degree of pollution	2
---------------------	---

### Interfaces

Signal type/category	Ethernet CAT5, 1 Gbps
----------------------	-----------------------

### Electrical properties

Transmission medium	Copper
Transmission speed	1 Gbps
Transmission speed	1 Gbps
Wave impedance	100 $\Omega$

### Mechanical properties

#### Mechanical data

Insertion/withdrawal cycles	$\geq 750$
-----------------------------	------------

### Material specifications

Color	black
Flammability rating according to UL 94	V2
Outer sheath, material	PUR
Conductor material	Bare Cu litz wires

### Connector

#### Connection 1

Type	Plug straight RJ45
Handle color	black
Degree of protection	IP67

#### Connection 2

Type	free cable end
------	----------------

### Cable/line


Cable length	2.00 m
--------------	--------

# VS-IP67/B-OE-94C-LI/2,0 - Network cable

1412707

<https://www.phoenixcontact.com/us/products/1412707>

## Ethernet drag chain CAT5, 4-pair [94C]

Dimensional drawing	
Shielded	yes
UL AWM Style	20963 (80°C/30 V)
Cable weight	57 kg/km
Cable type	Ethernet drag chain CAT5, 4-pair
Cable type (abbreviation)	94C
Signal type/category	Ethernet CAT5 (IEC 11801), 1 Gbps
Cable structure	4x2xAWG26/19, S/UTP
External cable diameter	6.90 mm +0.1 mm ... 0.2 mm
Outer sheath, material	PUR
External sheath, color	water blue RAL 5021
Thickness, outer sheath	0.85 mm
Conductor material	Bare Cu litz wires
Conductor structure signal line	19x 0.10 mm
AWG signal line	26
Conductor cross-section	4x 2x 0.14 mm <sup>2</sup>
Material wire insulation	PP
Wire diameter incl. insulation	1 mm
Single wire, color	white/blue-blue, white/orange-orange, white/green-green, white/brown-brown
Twisted pairs	2 cores to the pair
Overall twist	Four pairs and four fillers to the core
Shielding	Tinned copper braided shield
Optical shield covering	90 %
Nominal voltage, cable	≤ 100 V
Test voltage Core/Core	700 V (50 Hz, 1 min.)
Test voltage Core/Shield	700.00 V (50 Hz, 1 min.)
Cable insulation resistance	≥ 500 MΩ*km
Coupling resistance	≤ 100.00 mΩ/m (at 10 MHz)
Wave impedance	100 Ω ±5 Ω (at 100 MHz)
Loop resistance	≤ 290.00 Ω/km
Cable capacity	approx. 50 nF/km (at 1 kHz)
Signal runtime	5.3 ns/m
Tensile strength	≤ 100 N
Minimum bending radius, fixed installation	4 x D

# VS-IP67/B-OE-94C-LI/2,0 - Network cable



1412707

<https://www.phoenixcontact.com/us/products/1412707>

Minimum bending radius, flexible installation	8 x D
Number of bending cycles	5000000
Minimum bending radius, drag chain applications	7,5 x D
Traversing rate	3 m/s
Acceleration	5 m/s <sup>2</sup>
Near end crosstalk attenuation (NEXT)	65.3 dB (with 1 MHz)
	56.3 dB (at 4 MHz)
	50.3 dB (at 10 MHz)
	47.2 dB (at 16 MHz)
	45.8 dB (at 20 MHz)
	42.9 dB (at 31.25 MHz)
	38.4 dB (at 62.5 MHz)
	35.3 dB (at 100 MHz)
Power-summed near end crosstalk attenuation (PSNEXT)	62.3 dB (with 1 MHz)
	53.3 dB (at 4 MHz)
	47.3 dB (at 10 MHz)
	44.2 dB (at 16 MHz)
	42.8 dB (at 20 MHz)
	39.9 dB (at 31.25 MHz)
	35.4 dB (at 62.5 MHz)
	32.3 dB (at 100 MHz)
Return attenuation (RL)	23 dB (at 4 MHz)
	24.1 dB (at 8 MHz)
	25 dB (at 10 MHz)
	25 dB (at 16 MHz)
	25 dB (at 20 MHz)
	23.6 dB (at 31.25 MHz)
	21.5 dB (at 62.5 MHz)
	20.1 dB (at 100 MHz)
Halogen-free	according to IEC 60754-1
Resistance to oil	in accordance with EN 60811-2-1
Flame resistance	according to IEC 60332-1-2
Ambient temperature (operation)	-20 °C ... 80 °C (Cable, flexible installation)
	-40 °C ... 80 °C (cable, fixed installation)

## Environmental and real-life conditions

### Ambient conditions

Degree of protection	IP67
	IP67

# VS-IP67/B-OE-94C-LI/2,0 - Network cable

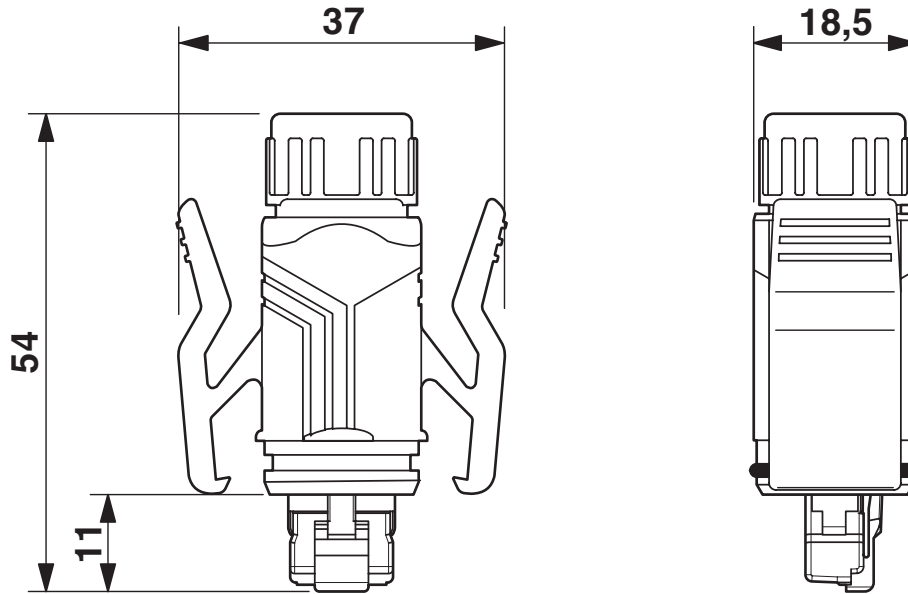
1412707

<https://www.phoenixcontact.com/us/products/1412707>



## Drawings

Dimensional drawing



# VS-IP67/B-OE-94C-LI/2,0 - Network cable



1412707

<https://www.phoenixcontact.com/us/products/1412707>

## Classifications

### ECLASS

ECLASS-13.0	27060307
ECLASS-15.0	27060307

### ETIM

ETIM 9.0	EC001855
----------	----------

### UNSPSC

UNSPSC 21.0	26121600
-------------	----------

# VS-IP67/B-OE-94C-LI/2,0 - Network cable



1412707

<https://www.phoenixcontact.com/us/products/1412707>

## Environmental product compliance

### EU RoHS

Fulfills EU RoHS substance requirements	Yes, No exemptions
---	--------------------

### China RoHS

Environment friendly use period (EFUP)	EFUP-E
	No hazardous substances above the limits

### EU REACH SVHC

REACH candidate substance (CAS No.)	6,6'-di-tert-butyl-2,2'-methylenedi-p-cresol(CAS: 119-47-1)
SCIP	6aee84c3-0cf9-419b-8c3a-176f71667b0a

Phoenix Contact 2026 © - all rights reserved

<https://www.phoenixcontact.com>

Phoenix Contact USA

586 Fulling Mill Road

Middletown, PA 17057, United States

(+717) 944-1300

[info@phoenixcon.com](mailto:info@phoenixcon.com)