

# HC-STA-B06-HHFS-1STM32-EL-AL - Housing



1412563

<https://www.phoenixcontact.com/us/products/1412563>

Please be informed that the data shown in this PDF document is generated from our online catalog. Please find the complete data in the user documentation. Our general terms of use for downloads are valid.



Sleeve housing B6, for single locking latch, material: Die-cast aluminum, salt water resistant, cable outlets: 1, lateral, 1x M32, height: 72 mm, cable gland: none, Standard

## Your advantages

- Good shielding in the event of electromagnetic interference

## Commercial data

|                                      |               |
|--------------------------------------|---------------|
| Item number                          | 1412563       |
| Packing unit                         | 1 pc          |
| Minimum order quantity               | 1 pc          |
| Sales key                            | BF56          |
| Product key                          | AF7APB        |
| GTIN                                 | 4055626059037 |
| Weight per piece (including packing) | 163.68 g      |
| Weight per piece (excluding packing) | 166.2 g       |
| Customs tariff number                | 85389099      |
| Country of origin                    | CN            |

1412563

<https://www.phoenixcontact.com/us/products/1412563>

## Technical data

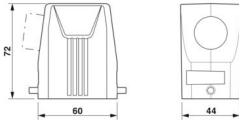
### Notes

|         |   |
|---------|---|
| General | For contact inserts HC-B6, BB10, DD24, M Tall housings for extra large wiring space |
|---------|---|

### Product properties

|                              |                            |
|------------------------------|----------------------------|
| Product type                 | Housing with locking latch |
| Housing type                 | Sleeve housing             |
| Application                  | Standard                   |
| Type                         | B6                         |
| No. of cable outlets         | 1                          |
| Type of the screw connection | 1x M32                     |
| Cable outlet                 | lateral                    |
| Pg screw connection          | none                       |

### Dimensions

|                     |  |
|---------------------|--|
| Dimensional drawing |  |
| Width               | 44 mm  |
| Height              | 72 mm  |
| Length              | 60 mm  |

### Material specifications

|                          |   |
|--------------------------|---|
| Housing material         | Die-cast aluminum, salt water resistant |
| Housing surface material | uncoated                                |

### Mechanical properties

#### Mechanical data

|                              |        |
|------------------------------|--------|
| Type of the screw connection | 1x M32 |
| Locking type                 | Pin    |

### Environmental and real-life conditions

#### Ambient conditions

|                         |             |
|-------------------------|-------------|
| Degree of protection    | IP66        |
|                         | IP67        |
| Enclosure rating (NEMA) | 4 (UL 50e)  |
|                         | 4X (UL 50e) |
|                         | 12 (UL 50e) |
| Impact strength         | IK08        |

# HC-STA-B06-HHFS-1STM32-EL-AL - Housing



1412563

<https://www.phoenixcontact.com/us/products/1412563>

Ambient temperature (operation)

-40 °C ... 125 °C

# HC-STA-B06-HHFS-1STM32-EL-AL - Housing

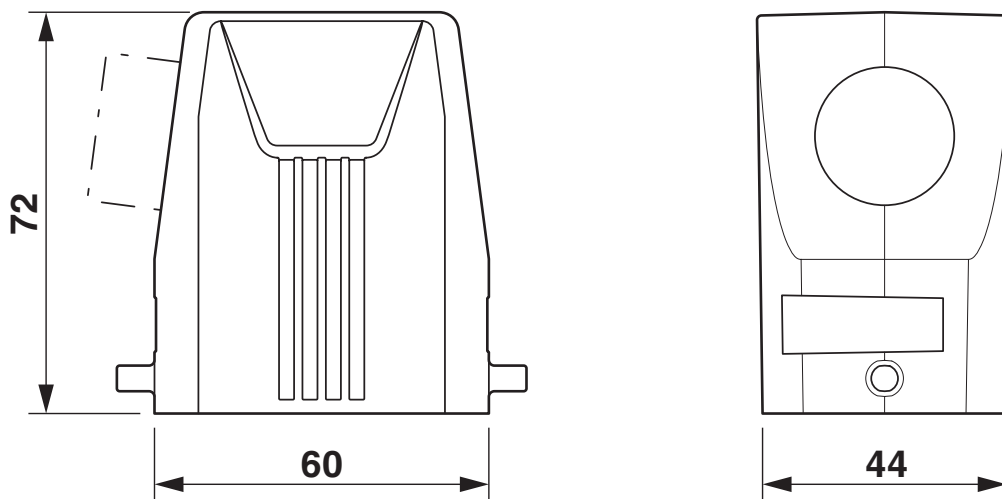
1412563

<https://www.phoenixcontact.com/us/products/1412563>



## Drawings

Dimensional drawing



Dimensional drawing

1412563

<https://www.phoenixcontact.com/us/products/1412563>

## Approvals

To download certificates, visit the product detail page: <https://www.phoenixcontact.com/us/products/1412563>

**DNV**

Approval ID: TAE000037S



**cUL Recognized**

Approval ID: E255026



**UL Recognized**

Approval ID: E255026



**EAC**

Approval ID: RU C-DE.AI30.B.01102

1412563

<https://www.phoenixcontact.com/us/products/1412563>

## Classifications

### ECLASS

|             |          |
|-------------|----------|
| ECLASS-13.0 | 27440202 |
| ECLASS-15.0 | 27440202 |

### ETIM

|           |          |
|-----------|----------|
| ETIM 10.0 | EC000437 |
|-----------|----------|

### UNSPSC

|             |          |
|-------------|----------|
| UNSPSC 21.0 | 31261500 |
|-------------|----------|

1412563

<https://www.phoenixcontact.com/us/products/1412563>

## Environmental product compliance

### EU RoHS

|   |                    |
|---|--------------------|
| Fulfills EU RoHS substance requirements | Yes, No exemptions |
|---|--------------------|

### China RoHS

|  |  |
|--|--|
| Environment friendly use period (EFUP) | EFUP-E                                   |
|  | No hazardous substances above the limits |

### EU REACH SVHC

|                                     |                            |
|-------------------------------------|----------------------------|
| REACH candidate substance (CAS No.) | No substance above 0.1 wt% |
|-------------------------------------|----------------------------|

### EF3.1 Climate Change

|         |               |
|---------|---------------|
| CO2e kg | 2.867 kg CO2e |
|---------|---------------|

Phoenix Contact 2026 © - all rights reserved  
<https://www.phoenixcontact.com>

Phoenix Contact USA  
586 Fulling Mill Road  
Middletown, PA 17057, United States  
(+717) 944-1300  
[info@phoenixcon.com](mailto:info@phoenixcon.com)