

# HC-B16-TFQ-H-O2STM25G - Housing



1412498

<https://www.phoenixcontact.com/us/products/1412498>

Please be informed that the data shown in this PDF document is generated from our online catalog. Please find the complete data in the user documentation. Our general terms of use for downloads are valid.



HEAVYCON sleeve housing B16, for double locking latch, height 76 mm, with thread 2x M25, straight conductor exit

The photo shows the housing with a thread

## Commercial data

Item number	1412498
Packing unit	10 pc
Minimum order quantity	20 pc
Product key	AF7AAC
GTIN	4046356964722
Weight per piece (including packing)	203.69 g
Weight per piece (excluding packing)	203.69 g
Country of origin	DE

# HC-B16-TFQ-H-O2STM25G - Housing



1412498

<https://www.phoenixcontact.com/us/products/1412498>

## Technical data

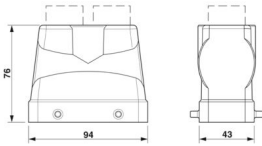
### Notes

General	For contact inserts HC-B16, BB32, D40, DD72, HS6, M, K
---------	--

### Product properties

Product type	Housing with locking latch
Housing type	Sleeve housing
Type	B16
No. of cable outlets	2
Type of the screw connection	1x M25
Cable outlet	straight
Pg screw connection	none

### Dimensions

Dimensional drawing	
Width	43 mm
Height	76 mm
Length	94 mm

### Material specifications

Housing material	Die-cast aluminum
Housing surface material	Powder-coated, gray

### Mechanical properties

#### Mechanical data

Type of the screw connection	1x M25
------------------------------	--------

### Environmental and real-life conditions

#### Ambient conditions

Degree of protection	IP65
Ambient temperature (operation)	-40 °C ... 125 °C

# HC-B16-TFQ-H-O2STM25G - Housing

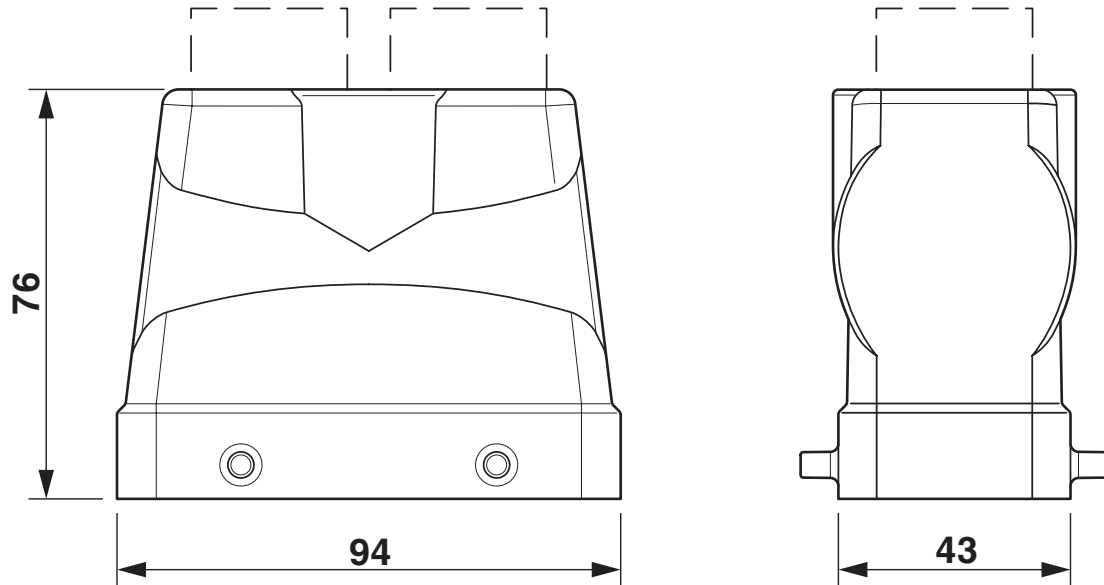
1412498

<https://www.phoenixcontact.com/us/products/1412498>



## Drawings

Dimensional drawing



Dimensional drawing

# HC-B16-TFQ-H-O2STM25G - Housing



1412498

<https://www.phoenixcontact.com/us/products/1412498>

## Classifications

### ECLASS

ECLASS-13.0	27440202
ECLASS-15.0	27440202

### UNSPSC

UNSPSC 21.0	39131505
-------------	----------

# HC-B16-TFQ-H-O2STM25G - Housing



1412498

<https://www.phoenixcontact.com/us/products/1412498>

## Environmental product compliance

### China RoHS

Environment friendly use period (EFUP)	EFUP-E
	No hazardous substances above the limits

### EU REACH SVHC

REACH candidate substance (CAS No.)	No substance above 0.1 wt%
-------------------------------------	----------------------------

Phoenix Contact 2026 © - all rights reserved  
<https://www.phoenixcontact.com>

Phoenix Contact USA  
586 Fulling Mill Road  
Middletown, PA 17057, United States  
(+717) 944-1300  
[info@phoenixcon.com](mailto:info@phoenixcon.com)