

VS-FSBPYS-OE-94H/3,0 SCO - Flush-type female connector



1412494

<https://www.phoenixcontact.com/us/products/1412494>

Please be informed that the data shown in this PDF document is generated from our online catalog. Please find the complete data in the user documentation. Our general terms of use for downloads are valid.



Hybrid flush-type socket, Ethernet, 8-pos., M12-SPEEDCON, rear/screw mounting with M16 thread, 360° shield connection with connected shielded hybrid cable

M12 panel feed-through, rear mounting

Your advantages

- Preassembled with cables in various standard lengths for immediate use
- Customer-specific assemblies and cable lengths can be supplied
- Sealed on the cable side for optimum tightness of seal
- Cable designs for all common networks and fieldbuses
- For high transmission safety: shield connection to the housing with optional EMC nut

Commercial data

Item number	1412494
Packing unit	1 pc
Minimum order quantity	30 pc
Product key	ABQYAA
GTIN	4046356965460
Weight per piece (including packing)	385.88 g
Weight per piece (excluding packing)	385.88 g
Country of origin	DE

VS-FSBPYS-OE-94H/3,0 SCO - Flush-type female connector



1412494

<https://www.phoenixcontact.com/us/products/1412494>

Technical data

Notes

Notes on operation	The electrical and mechanical data specified assume that the connector pair is correctly locked and mounted. If the connector is unlocked and if there is a danger of contamination, the connector must be sealed using a protective cap > IP54. Influences arising from litz wires, cables or PCB assembly must also be taken into consideration.
--------------------	--

Mounting

Mounting type	Rear mounting
Tightening torque	2 Nm ... 3 Nm

Product properties

Product type	Circular connectors (device side)
Number of positions	8
Shielded	yes
Coding	Y

Insulation characteristics

Overvoltage category	III
Degree of pollution	3

Material specifications

Material	Zinc die-cast (nickel-plated)
Flammability rating according to UL 94	V0
Seal material	FKM
Contact material	CuZn
Contact surface material	Au
Contact carrier material	PPA
Outer sheath, material	PUR mixture halogen-free
Conductor material	Bare Cu litz wires

Electrical properties

Rated surge voltage	0.8 kV
Contact resistance	≤ 3 mΩ
Insulation resistance	≥ 100 MΩ
Nominal voltage U_N	48 V AC (Power and data) 50 V DC (Power and data)
Nominal current I_N	6 A (Power) 0.5 A (Data)
Transmission medium	Copper
Transmission characteristics (category)	CAT5 (IEC 11801:2002)
Wave impedance	100 Ω

VS-FSBPYS-OE-94H/3,0 SCO - Flush-type female connector



1412494

<https://www.phoenixcontact.com/us/products/1412494>

Mechanical properties

Mechanical data

Insertion/withdrawal cycles	≥ 100
-----------------------------	-------

Cable/line

Cable length	3 m
Cable type	Ethernet hybrid
Cable structure	2x2xAWG26 + 1x4xAWG20
External cable diameter	7.60 mm
Outer sheath, material	PUR mixture halogen-free
External sheath, color	black RAL 9005
Wire diameter incl. insulation	1.05 mm
Single wire, color	Ethernet: white/orange-orange, white/green-green Power: white, blue, brown, black
Cable cross section	0.15 mm ² 0.6 mm ²
Conductor material	Bare Cu litz wires
Conductor structure signal line	4x 1.05 mm
AWG signal line	26
Conductor structure, voltage supply	4x 1.40 mm
AWG power supply	20
Test voltage Core/Core	1.5 kV AC (Core - core)
Test voltage Core/Shield	1.50 kV AC (Line-shield)
Wave impedance	100 Ω ±15 Ω (At an ambient temperature of 20°C)
Smallest bending radius, movable installation	min. 110 mm
Ambient temperature (operation)	-40 °C ... 90 °C (fixed routing) -30 °C ... 70 °C (Flexibly installed)

Environmental and real-life conditions

Ambient conditions

Degree of protection	IP67 (When plugged in)
Ambient temperature (operation) (Cable, flexible installation)	-30 °C ... 70 °C (Flexibly installed)
Ambient temperature (operation) (Cable, fixed installation)	-40 °C ... 90 °C (fixed routing)
Ambient temperature (operation) (male connector/female connector)	-40 °C ... 85 °C

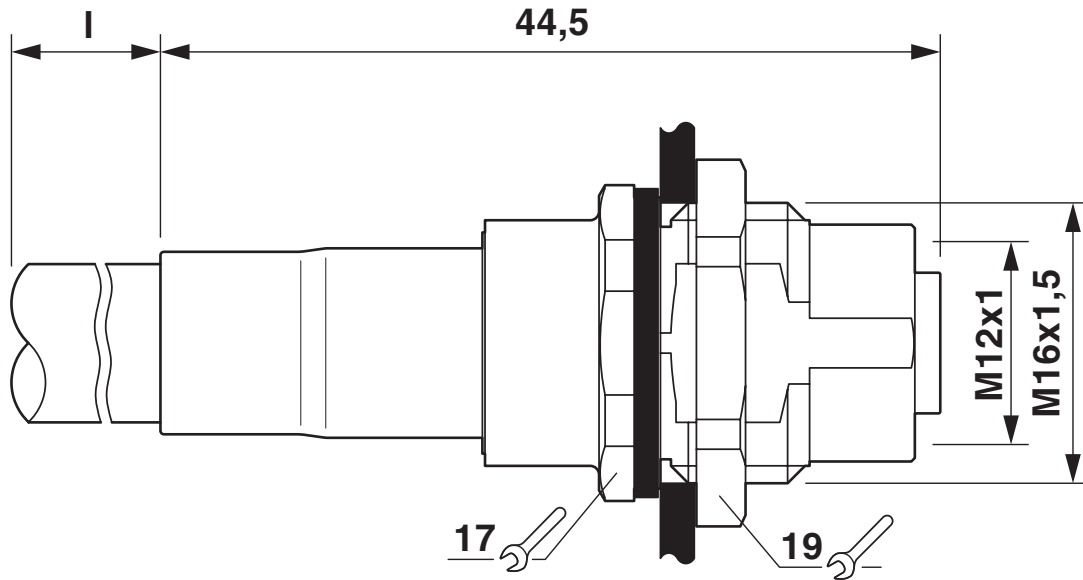
VS-FSBPYS-OE-94H/3,0 SCO - Flush-type female connector

1412494

<https://www.phoenixcontact.com/us/products/1412494>

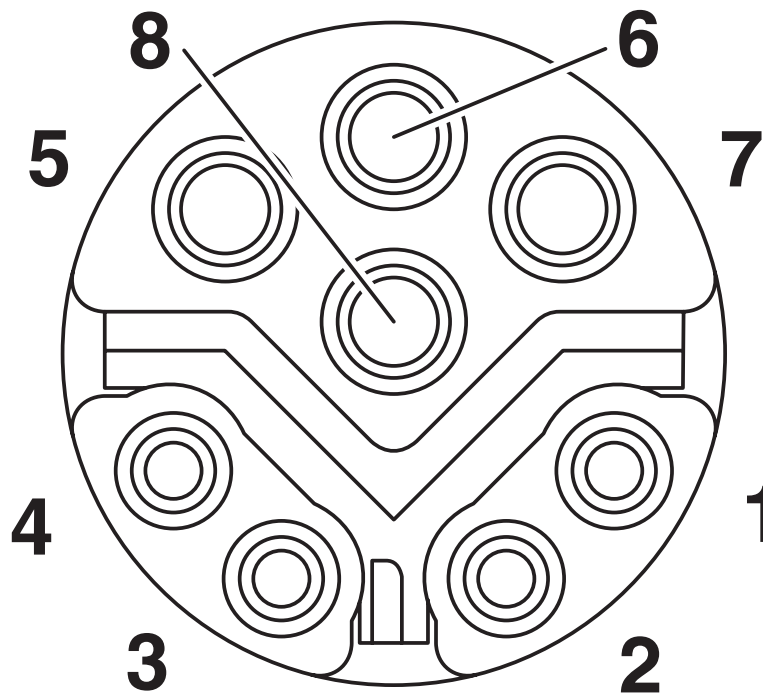
Drawings

Dimensional drawing



M12 socket, straight, shielded,

Schematic diagram



Pin assignment of socket, 8-pos., Y-coded, socket side view

VS-FSBPYS-OE-94H/3,0 SCO - Flush-type female connector



1412494

<https://www.phoenixcontact.com/us/products/1412494>

Phoenix Contact 2026 © - all rights reserved
<https://www.phoenixcontact.com>

Phoenix Contact USA
586 Fulling Mill Road
Middletown, PA 17057, United States
(+717) 944-1300
info@phoenixcon.com