

# HC-B 24-TFQ-H/O2STM40G - Housing



1412450

<https://www.phoenixcontact.com/us/products/1412450>

Please be informed that the data shown in this PDF document is generated from our online catalog. Please find the complete data in the user documentation. Our general terms of use for downloads are valid.



HEAVYCON B24 sleeve housing, for double locking latch, height: 76 mm, with 2 x M40 thread, straight cable outlet

## Commercial data

Item number	1412450
Packing unit	10 pc
Minimum order quantity	1 pc
Sales key	BF55
Product key	AF7AAC
GTIN	4046356962742
Weight per piece (including packing)	275.74 g
Weight per piece (excluding packing)	275.74 g
Customs tariff number	85389099
Country of origin	DE

# HC-B 24-TFQ-H/O2STM40G - Housing

1412450

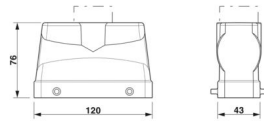
<https://www.phoenixcontact.com/us/products/1412450>

## Technical data

### Product properties

Product type	Housing with locking latch
Housing type	Sleeve housing
Application	Standard
Type	B24
No. of cable outlets	2
Type of the screw connection	2x M40
Cable outlet	straight
Pg screw connection	none

### Dimensions

Dimensional drawing	
Width	43 mm
Height	76 mm
Length	120 mm

### Material specifications

Housing material	Die-cast aluminum
Housing surface material	Powder-coated, gray

### Mechanical properties

#### Mechanical data

Type of the screw connection	2x M40
------------------------------	--------

### Environmental and real-life conditions

#### Ambient conditions

Degree of protection	IP65
Ambient temperature (operation)	-40 °C ... 125 °C

# HC-B 24-TFQ-H/O2STM40G - Housing

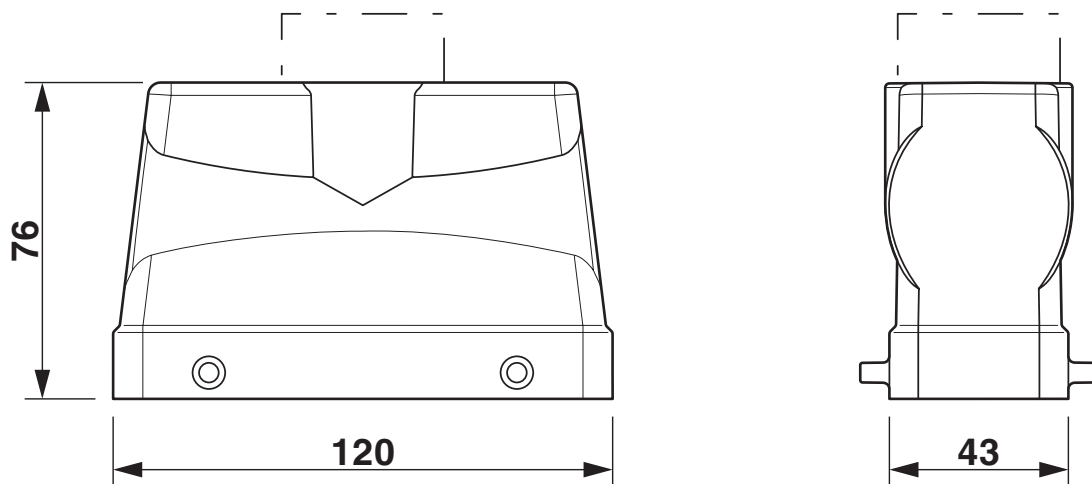
1412450

<https://www.phoenixcontact.com/us/products/1412450>



## Drawings

Dimensional drawing



Dimensional drawing

# HC-B 24-TFQ-H/O2STM40G - Housing



1412450

<https://www.phoenixcontact.com/us/products/1412450>

## Approvals

To download certificates, visit the product detail page: <https://www.phoenixcontact.com/us/products/1412450>



**EAC**

Approval ID: RU C-DE.AI30.B.01102

# HC-B 24-TFQ-H/O2STM40G - Housing



1412450

<https://www.phoenixcontact.com/us/products/1412450>

## Classifications

### ECLASS

ECLASS-13.0	27281101
ECLASS-15.0	27440202

### ETIM

ETIM 10.0	EC000437
-----------	----------

### UNSPSC

UNSPSC 21.0	39131500
-------------	----------

# HC-B 24-TFQ-H/O2STM40G - Housing



1412450

<https://www.phoenixcontact.com/us/products/1412450>

## Environmental product compliance

### EU RoHS

Fulfills EU RoHS substance requirements	Yes, No exemptions
---	--------------------

### China RoHS

Environment friendly use period (EFUP)	EFUP-E
	No hazardous substances above the limits

### EU REACH SVHC

REACH candidate substance (CAS No.)	No substance above 0.1 wt%
-------------------------------------	----------------------------

Phoenix Contact 2026 © - all rights reserved  
<https://www.phoenixcontact.com>

Phoenix Contact USA  
586 Fulling Mill Road  
Middletown, PA 17057, United States  
(+717) 944-1300  
[info@phoenixcon.com](mailto:info@phoenixcon.com)