

VS-IP67/B-IP67/B-94B-LI/5,0 - Network cable



1412260

<https://www.phoenixcontact.com/us/products/1412260>

Please be informed that the data shown in this PDF document is generated from our online catalog. Please find the complete data in the user documentation. Our general terms of use for downloads are valid.



Assembled Ethernet cable, shielded, 4-pair, AWG 26 stranded (7-wire), RAL 5021 (sea blue), RJ45 connector/IP67, black to RJ45 connector/IP67, black, line, length 5 m

Commercial data

Item number	1412260
Packing unit	1 pc
Minimum order quantity	1 pc
Product key	ABNABE
GTIN	4046356475518
Weight per piece (including packing)	267.6 g
Weight per piece (excluding packing)	267.6 g
Country of origin	PL

VS-IP67/B-IP67/B-94B-LI/5,0 - Network cable



1412260

<https://www.phoenixcontact.com/us/products/1412260>

Technical data

Product properties

Product type	Data cable preassembled
Product family	RJ45 INDUSTRIAL IE8 CAT5
Number of positions	8
No. of cable outlets	1
Number of slots	1
Shielded	yes
Cable outlet	straight

Insulation characteristics

Degree of pollution	2
---------------------	---

Interfaces

Signal type/category	Ethernet CAT5
----------------------	---------------

Electrical properties

Transmission medium	Copper
Wave impedance	100 Ω

Mechanical properties

Mechanical data

Insertion/withdrawal cycles	≥ 750
-----------------------------	------------

Material specifications

Flammability rating according to UL 94	V2
Outer sheath, material	PUR
Conductor material	Bare Cu litz wires

Connector

Connection 1

Type	Plug straight RJ45
Handle color	black
Degree of protection	IP67

Connection 2

Type	Plug straight RJ45
Handle color	black
Degree of protection	IP67

Cable/line


Ethernet flexible CAT5, 4-pair [94B]

VS-IP67/B-IP67/B-94B-LI/5,0 - Network cable



1412260

<https://www.phoenixcontact.com/us/products/1412260>

Dimensional drawing	
Shielded	yes
UL AWM Style	20963 (80°C/30 V)
Cable weight	47 kg/km
Cable type	Ethernet flexible CAT5, 4-pair
Cable type (abbreviation)	94B
Signal type/category	Ethernet CAT5 (IEC 11801), 1 Gbps
Cable structure	4x2xAWG26/7, SF/UTP
External cable diameter	6.40 mm ±0.2 mm
Outer sheath, material	PUR
External sheath, color	water blue RAL 5021
Thickness, outer sheath	1.05 mm
Conductor material	Bare Cu litz wires
Conductor structure signal line	7x 0.16 mm
AWG signal line	26
Conductor cross-section	4x 2x 0.14 mm ²
Material wire insulation	Foamed PE
Wire diameter incl. insulation	0.96 mm
Single wire, color	white/blue-blue, white/orange-orange, white/green-green, white/brown-brown
Twisted pairs	2 cores to the pair
Overall twist	4 pairs for core
Shielding	Aluminum-coated foil, tinned copper braided shield
Optical shield covering	70 %
Nominal voltage, cable	≤ 100 V
Test voltage Core/Core	700 V (50 Hz, 1 min.)
Test voltage Core/Shield	700.00 V (50 Hz, 1 min.)
Cable insulation resistance	≥ 5 GΩ*km
Coupling resistance	≤ 100.00 mΩ/m (at 10 MHz)
Wave impedance	100 Ω ±5 Ω (at 100 MHz)
Loop resistance	≤ 290.00 Ω/km
Cable capacity	48 nF/km (at 1 kHz)
Signal runtime	5.3 ns/m
Tensile strength	≤ 100 N
Minimum bending radius, fixed installation	4 x D
Minimum bending radius, flexible installation	8 x D
	71.3 dB (with 1 MHz)

VS-IP67/B-IP67/B-94B-LI/5,0 - Network cable



1412260

<https://www.phoenixcontact.com/us/products/1412260>

Near end crosstalk attenuation (NEXT)	62.3 dB (at 4 MHz)
	56.3 dB (at 10 MHz)
	53.2 dB (at 16 MHz)
	51.8 dB (at 20 MHz)
	48.9 dB (at 31.25 MHz)
	44.4 dB (at 62.5 MHz)
	41.3 dB (at 100 MHz)
Power-summated near end crosstalk attenuation (PSNEXT)	62.3 dB (with 1 MHz)
	53.3 dB (at 4 MHz)
	47.3 dB (at 10 MHz)
	44.2 dB (at 16 MHz)
	42.8 dB (at 20 MHz)
	39.9 dB (at 31.25 MHz)
	35.4 dB (at 62.5 MHz)
Return attenuation (RL)	32.3 dB (at 100 MHz)
	23 dB (at 4 MHz)
	24.1 dB (at 8 MHz)
	25 dB (at 10 MHz)
	25 dB (at 16 MHz)
	25 dB (at 20 MHz)
	23.6 dB (at 31.25 MHz)
Halogen-free	21.5 dB (at 62.5 MHz)
	20.1 dB (at 100 MHz)
Resistance to oil	according to IEC 60754-1
Flame resistance	in accordance with EN 60811-2-1
Ambient temperature (operation)	according to IEC 60332-1-2
	-20 °C ... 80 °C (Cable, flexible installation)
	-40 °C ... 80 °C (cable, fixed installation)

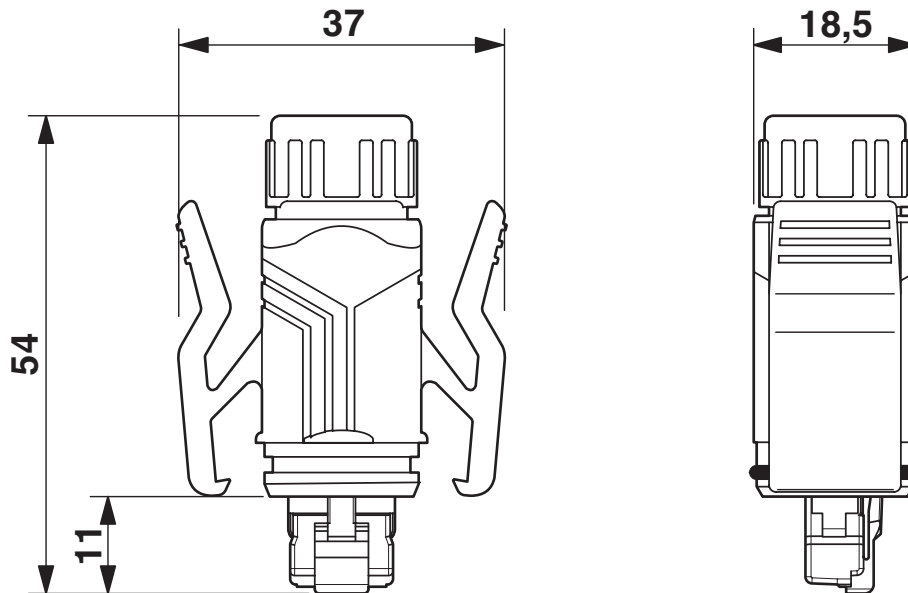
Environmental and real-life conditions

Ambient conditions

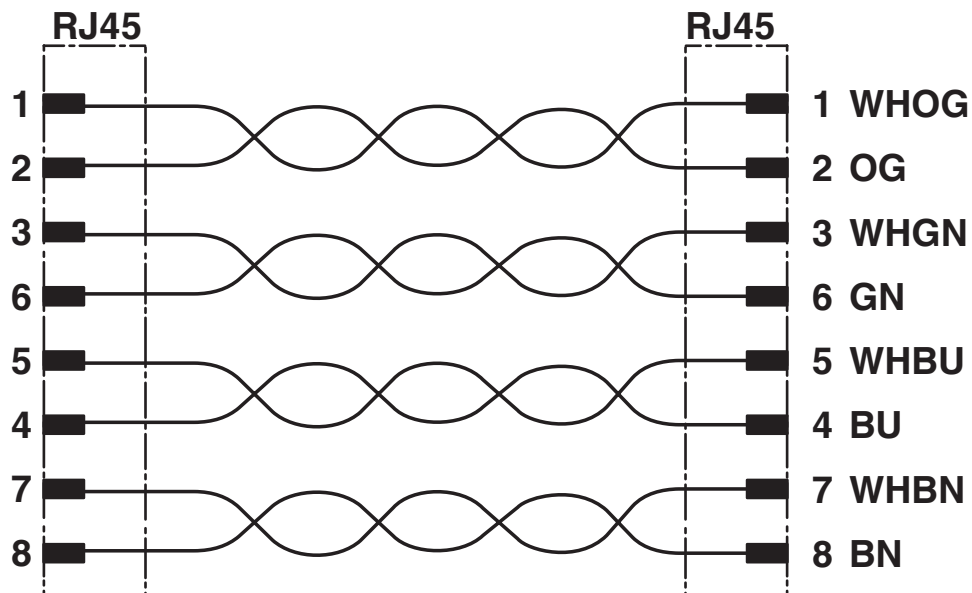
Degree of protection	IP67
	IP67

Drawings

Dimensional drawing



Circuit diagram



VS-IP67/B-IP67/B-94B-LI/5,0 - Network cable



1412260

<https://www.phoenixcontact.com/us/products/1412260>

Classifications

ECLASS

ECLASS-13.0	27060307
ECLASS-15.0	27060307

VS-IP67/B-IP67/B-94B-LI/5,0 - Network cable



1412260

<https://www.phoenixcontact.com/us/products/1412260>

Environmental product compliance

EU RoHS

Fulfills EU RoHS substance requirements	Yes, No exemptions
-----------------------------------------	--------------------

China RoHS

Environment friendly use period (EFUP)	EFUP-50
	An article-related China RoHS declaration table can be found in the download area for the respective article under "Manufacturer declaration". For all articles with EFUP-E, no China RoHS declaration table issued and required.

EU REACH SVHC

REACH candidate substance (CAS No.)	No substance above 0.1 wt%
-------------------------------------	----------------------------

Phoenix Contact 2026 © - all rights reserved

<https://www.phoenixcontact.com>

Phoenix Contact USA
586 Fulling Mill Road
Middletown, PA 17057, United States
(+717) 944-1300
info@phoenixcon.com