

HC-B-GCA-M32-PLRBK - Corrugated tube screw connection



1412022

<https://www.phoenixcontact.com/us/products/1412022>

Please be informed that the data shown in this PDF document is generated from our online catalog. Please find the complete data in the user documentation. Our general terms of use for downloads are valid.

EVO corrugated pipe screw connection, size: M32, protection class: IP66, plastic



Commercial data

Item number	1412022
Packing unit	1 pc
Note	Made to order (non-returnable)
Sales key	BF57
Product key	AF7AAF
GTIN	4046356948654
Weight per piece (including packing)	68.966 g
Weight per piece (excluding packing)	68.966 g
Customs tariff number	39269097
Country of origin	PL

HC-B-GCA-M32-PLRBK - Corrugated tube screw connection



1412022

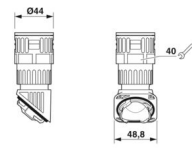
<https://www.phoenixcontact.com/us/products/1412022>

Technical data

Product properties

Product type	Protective hose screw connection
Type	B6 - B24

Dimensions

Dimensional drawing	
Thread type on seal side	M32

Material specifications

Material	PA
Seal material	Neoprene

Cable/line

External cable diameter Cable 1	15 mm ... 21 mm
---------------------------------	-----------------

Environmental and real-life conditions

Ambient conditions

Degree of protection	IP66
Ambient temperature (operation)	-40 °C ... 115 °C

Mounting

Assembly note	Please observe the installation note provided for the WP-PA HF-HB.....BK corrugated pipe
---------------	--

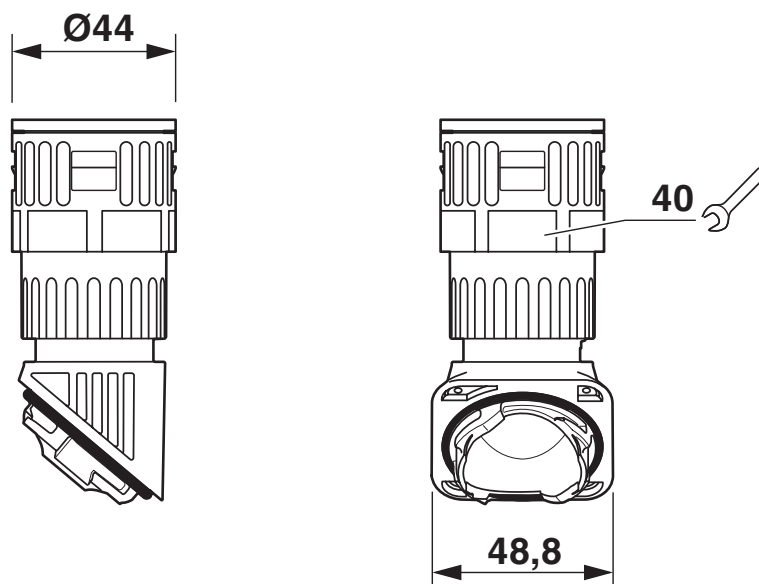
HC-B-GCA-M32-PLRBK - Corrugated tube screw connection

1412022

<https://www.phoenixcontact.com/us/products/1412022>

Drawings

Dimensional drawing



Dimensional drawing

HC-B-GCA-M32-PLRBK - Corrugated tube screw connection



1412022

<https://www.phoenixcontact.com/us/products/1412022>

Classifications

UNSPSC

UNSPSC 21.0	39121421
-------------	----------

HC-B-GCA-M32-PLRBK - Corrugated tube screw connection



1412022

<https://www.phoenixcontact.com/us/products/1412022>

Environmental product compliance

EU RoHS

Fulfills EU RoHS substance requirements	Yes, No exemptions
---	--------------------

China RoHS

Environment friendly use period (EFUP)	EFUP-E
	No hazardous substances above the limits

EU REACH SVHC

REACH candidate substance (CAS No.)	No substance above 0.1 wt%
-------------------------------------	----------------------------

Phoenix Contact 2026 © - all rights reserved
<https://www.phoenixcontact.com>

Phoenix Contact USA
586 Fulling Mill Road
Middletown, PA 17057, United States
(+717) 944-1300
info@phoenixcon.com