

# HC-B-GCA-M20-PLRBK - Corrugated tube screw connection



1412021

<https://www.phoenixcontact.com/us/products/1412021>

Please be informed that the data shown in this PDF document is generated from our online catalog. Please find the complete data in the user documentation. Our general terms of use for downloads are valid.

EVO corrugated pipe screw connection, size: M20, protection class: IP66, plastic



## Commercial data

Item number	1412021
Packing unit	1 pc
Note	Made to order (non-returnable)
Sales key	BF57
Product key	AF7AAF
GTIN	4046356948647
Weight per piece (including packing)	42.9 g
Weight per piece (excluding packing)	38.984 g
Customs tariff number	39269097
Country of origin	PL

# HC-B-GCA-M20-PLRBK - Corrugated tube screw connection



1412021

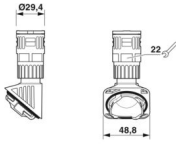
<https://www.phoenixcontact.com/us/products/1412021>

## Technical data

### Product properties

Product type	Protective hose screw connection
Type	B6 - B24

### Dimensions

Dimensional drawing	
Thread type on seal side	M20

### Material specifications

Material	PA
Seal material	Neoprene

### Cable/line

External cable diameter Cable 1	8 mm ... 12 mm
---------------------------------	----------------

### Environmental and real-life conditions

#### Ambient conditions

Degree of protection	IP66
Ambient temperature (operation)	-40 °C ... 115 °C

### Mounting

Assembly note	Please observe the installation note provided for the WP-PA HF-HB.....BK corrugated pipe
---------------	--

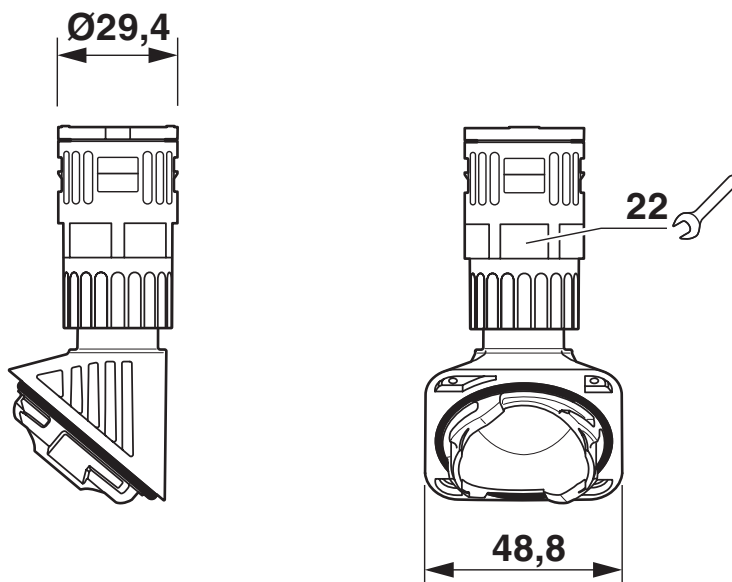
# HC-B-GCA-M20-PLRBK - Corrugated tube screw connection

1412021

<https://www.phoenixcontact.com/us/products/1412021>

## Drawings

Dimensional drawing



Dimensional drawing

# HC-B-GCA-M20-PLRBK - Corrugated tube screw connection



1412021

<https://www.phoenixcontact.com/us/products/1412021>

## Classifications

### UNSPSC

UNSPSC 21.0	39121421
-------------	----------

# HC-B-GCA-M20-PLRBK - Corrugated tube screw connection



1412021

<https://www.phoenixcontact.com/us/products/1412021>

## Environmental product compliance

### China RoHS

Environment friendly use period (EFUP)	EFUP-50
	An article-related China RoHS declaration table can be found in the download area for the respective article under "Manufacturer declaration". For all articles with EFUP-E, no China RoHS declaration table issued and required.

### EU REACH SVHC

REACH candidate substance (CAS No.)	No substance above 0.1 wt%
-------------------------------------	----------------------------

Phoenix Contact 2026 © - all rights reserved  
<https://www.phoenixcontact.com>

Phoenix Contact USA  
586 Fulling Mill Road  
Middletown, PA 17057, United States  
(+717) 944-1300  
[info@phoenixcon.com](mailto:info@phoenixcon.com)