

# FOC-PP-SB-ST:6 - Splice box



1411903

<https://www.phoenixcontact.com/us/products/1411903>

Please be informed that the data shown in this PDF document is generated from our online catalog. Please find the complete data in the user documentation. Our general terms of use for downloads are valid.

DIN rail splice box, without pigtails, for 12x ST simplex



DIN rail module, 12x ST simplex, without pigtails and splice comb

## Product description

DIN rail module, for 12 x ST simplex, front plate fitted with 6 x multimode hybrid coupling (SC duplex to ST), without pigtails and splice holder. Housing (2-piece) for fixing on the DIN rail, integrated rack for accommodating excess lengths of fiber (protection), cable entry possible by means of M20 x 1.5 screw connection on top/bottom (screw connection available as an option). Ready for DIN rail mounting by means of adapter on the back, ready for equipotential bonding.

Supplied as standard: DIN rail housing, empty (2-piece), front plate with port marking and integrated splice comb (mounted), front plate fitted with 6 x ST/SC duplex coupling (hybrid) metal.

## Commercial data

Item number	1411903
Packing unit	1 pc
Note	Made to order (non-returnable)
Sales key	NULL
Product key	ABNGAB
GTIN	4046356945172
Weight per piece (including packing)	972.4 g
Weight per piece (excluding packing)	838.4 g
Customs tariff number	85367000
Country of origin	DE

# FOC-PP-SB-ST:6 - Splice box

1411903

<https://www.phoenixcontact.com/us/products/1411903>

## Technical data

### Notes

Notes on operation	Pigtails and splice holders must also be mounted, cable gland not included
Notes on operation	Pigtails and splice holders must also be mounted, cable gland not included

### Product properties

Product type	Network distributor box
Housing type	Panel mounting base
Type	Rail-mountable module
Connection profile	ST / BFOC (ST®) connectors
No. of cable outlets	2
Number of module slots	12
Number of slots	12
Protective cover	yes
Cable outlet	above and below

### Electrical properties

Attenuation	$\geq 0.3$ dB
-------------	---------------

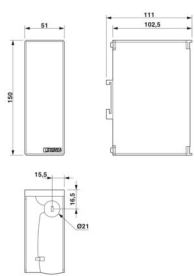
### Connection data

Connection technology	
Connection method	ST

### Interfaces

Signal type/category	Ethernet
----------------------	----------

### Dimensions

Dimensional drawing	
Width	52 mm
Height	150 mm
Depth	110 mm

### Housing

Housing width	52 mm
---------------	-------

# FOC-PP-SB-ST:6 - Splice box



1411903

<https://www.phoenixcontact.com/us/products/1411903>

## Mechanical characteristics

Ferrule diameter	2.50 mm
------------------	---------

## Material specifications

Color	light gray RAL 7035
Flammability rating according to UL 94	V0
Housing material	Sheet steel
Housing surface material	Powder-coated, gray

## Cable/line

Cable type	Fiberglass
Cable type	for all common cable types
Signal type/category	Ethernet
Halogen-free	yes
Flame resistance	yes

## FO cable

Number of fibers	12
Fiber	GOF
Fiber type	GOF
Transmission medium	FO

## Mechanical properties

### Mechanical data

Insertion/withdrawal cycles	> 500
-----------------------------	-------

## Characteristics

Attenuation	$\geq 0.3$ dB
-------------	---------------

## Environmental and real-life conditions

### Ambient conditions

Degree of protection	IP20
	IP20
Ambient temperature (operation)	-40 °C ... 85 °C (IEC 61300-2-22)
Ambient temperature (storage/transport)	-40 °C ... 85 °C
Ambient temperature (assembly)	-5 °C ... 55 °C

## Standards and regulations

Flame resistance	yes
------------------	-----

## Mounting

Mounting type	DIN rail mounting
---------------	-------------------

# FOC-PP-SB-ST:6 - Splice box

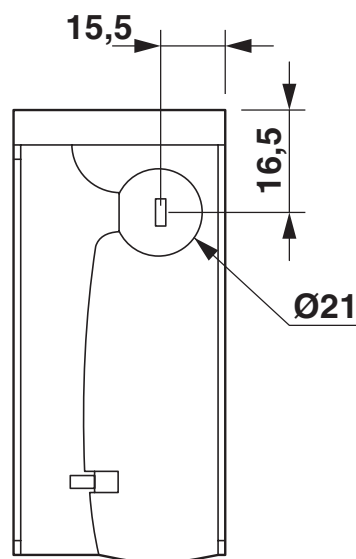
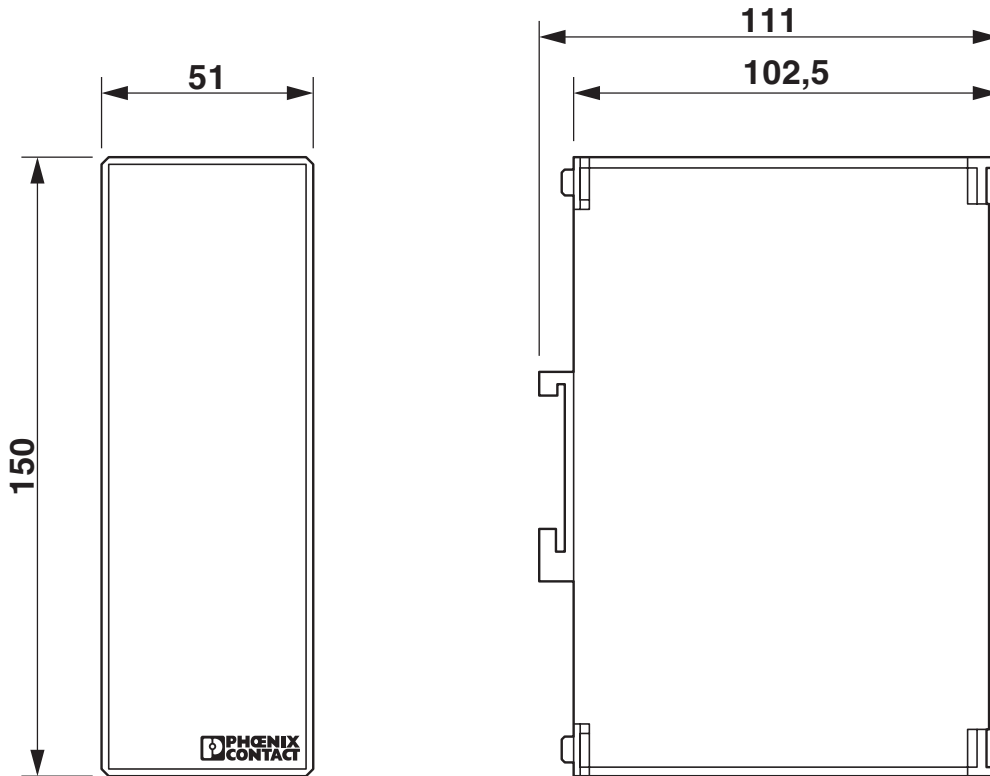


1411903

<https://www.phoenixcontact.com/us/products/1411903>

## Drawings

Dimensional drawing



DIN rail module, 6 x ST/SC duplex (hybrid), without pigtails

# FOC-PP-SB-ST:6 - Splice box



1411903

<https://www.phoenixcontact.com/us/products/1411903>

## Environmental product compliance

### EU RoHS

Fulfills EU RoHS substance requirements	Yes, No exemptions
---	--------------------

### China RoHS

Environment friendly use period (EFUP)	EFUP-E
	No hazardous substances above the limits

### EU REACH SVHC

REACH candidate substance (CAS No.)	No substance above 0.1 wt%
-------------------------------------	----------------------------

Phoenix Contact 2026 © - all rights reserved  
<https://www.phoenixcontact.com>

Phoenix Contact USA  
586 Fulling Mill Road  
Middletown, PA 17057, United States  
(+717) 944-1300  
[info@phoenixcon.com](mailto:info@phoenixcon.com)