

FOC-PP-SB-SC:6 - Splice box



1411902

<https://www.phoenixcontact.com/us/products/1411902>

Please be informed that the data shown in this PDF document is generated from our online catalog. Please find the complete data in the user documentation. Our general terms of use for downloads are valid.

DIN rail splice box, without pigtails, for 6x SC duplex



DIN rail module, 6x SC duplex, without pigtails and splice holder

Product description

DIN rail module, front plate assembled with 6x SC duplex coupling, without pigtails and splice holder. Housing (2-piece) for fixing on the DIN rail, integrated rack for accommodating excess lengths of fiber (protection), cable entry possible by means of M20 x 1.5 screw connection on top/bottom (screw connection available as an option). Ready for DIN rail mounting by means of adapter on the back, ready for equipotential bonding

Supplied as standard: DIN rail housing, empty (2-piece), front plate with port marking and integrated splice comb (mounted), front plate assembled with 6x SC duplex coupling.

Commercial data

| | |
|--------------------------------------|--------------------------------|
| Item number | 1411902 |
| Packing unit | 1 pc |
| Minimum order quantity | 1 pc |
| Note | Made to order (non-returnable) |
| Sales key | NULL |
| Product key | ABNGAB |
| GTIN | 4046356944960 |
| Weight per piece (including packing) | 961 g |
| Weight per piece (excluding packing) | 767.3 g |
| Customs tariff number | 85367000 |
| Country of origin | DE |

Technical data

Notes

| | |
|--------------------|--|
| Notes on operation | Pigtails and splice holders must also be mounted, cable gland not included |
| Notes on operation | Pigtails and splice holders must also be mounted, cable gland not included |

Product properties

| | |
|------------------------|-------------------------|
| Product type | Network distributor box |
| Housing type | Panel mounting base |
| Type | Rail-mountable module |
| Sensor type | Ethernet |
| Connection profile | SC connectors |
| No. of cable outlets | 2 |
| Number of module slots | 6 |
| Number of slots | 12 |
| Protective cover | yes |
| Cable outlet | above and below |

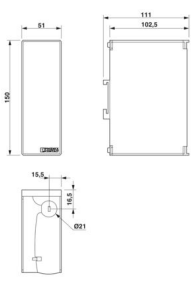
Electrical properties

| | |
|-------------|---------------|
| Attenuation | ≥ 0.3 dB |
|-------------|---------------|

Connection data

| | |
|-----------------------|-----------|
| Connection technology | |
| Connection method | SC duplex |

Dimensions

| | |
|---------------------|--|
| Dimensional drawing |  |
| Width | 52 mm |
| Height | 150 mm |
| Depth | 110 mm |

Housing

| | |
|---------------|-------|
| Housing width | 52 mm |
|---------------|-------|

Mechanical characteristics

FOC-PP-SB-SC:6 - Splice box



1411902

<https://www.phoenixcontact.com/us/products/1411902>

| | |
|------------------|---------|
| Ferrule diameter | 2.50 mm |
|------------------|---------|

Material specifications

| | |
|--|---------------------|
| Color | light gray RAL 7035 |
| Flammability rating according to UL 94 | V0 |
| Housing material | Sheet steel |
| Housing surface material | Powder-coated, gray |

Cable/line

| | |
|------------------|----------------------------|
| Cable type | Fiberglass |
| Cable type | for all common cable types |
| Halogen-free | yes |
| Flame resistance | yes |

FO cable

| | |
|---------------------|-----|
| Number of fibers | 12 |
| Fiber | GOF |
| Fiber type | GOF |
| Transmission medium | FO |

Mechanical properties

Mechanical data

| | |
|-----------------------------|-------|
| Insertion/withdrawal cycles | > 500 |
|-----------------------------|-------|

Characteristics

| | |
|-------------|---------------|
| Attenuation | ≥ 0.3 dB |
|-------------|---------------|

Environmental and real-life conditions

Ambient conditions

| | |
|---|-----------------------------------|
| Degree of protection | IP20 |
| | IP20 |
| Ambient temperature (operation) | -40 °C ... 85 °C (IEC 61300-2-22) |
| Ambient temperature (storage/transport) | -40 °C ... 85 °C |
| Ambient temperature (assembly) | -5 °C ... 55 °C |

Standards and regulations

| | |
|------------------|-----|
| Flame resistance | yes |
|------------------|-----|

Mounting

| | |
|---------------|-------------------|
| Mounting type | DIN rail mounting |
|---------------|-------------------|

FOC-PP-SB-SC:6 - Splice box

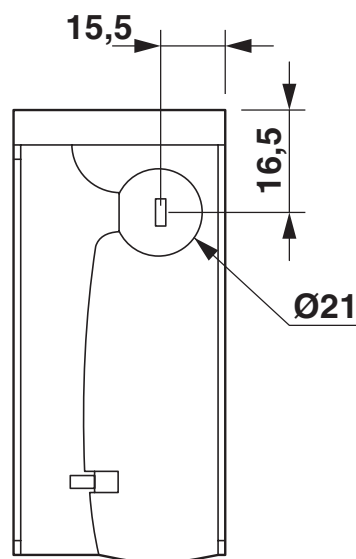
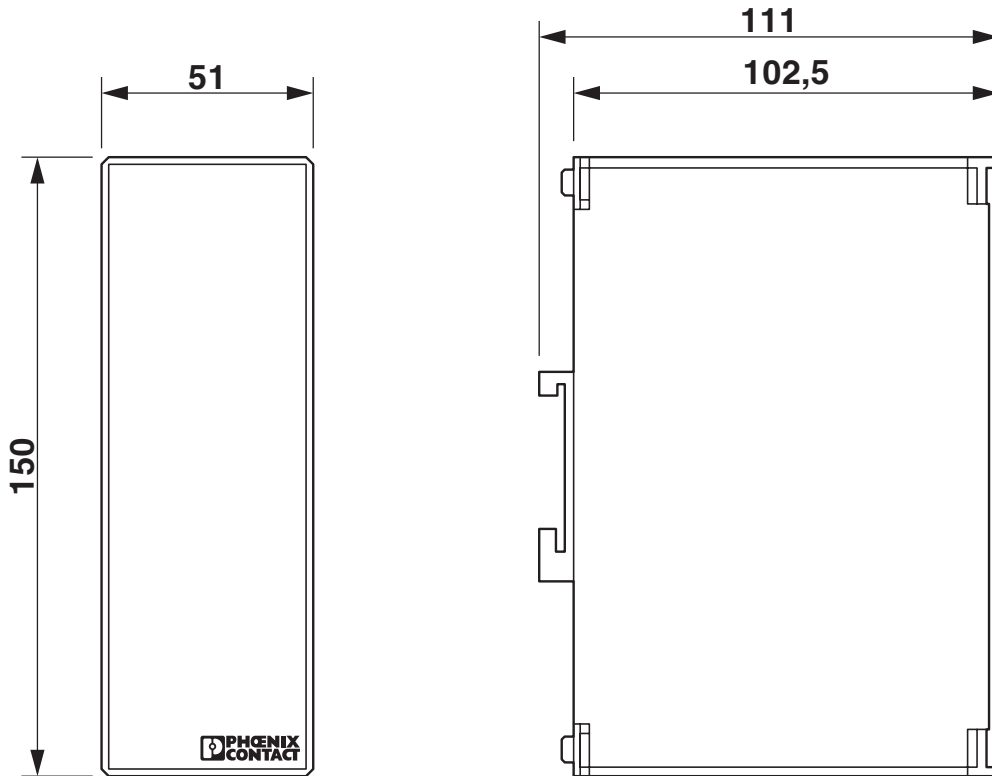


1411902

<https://www.phoenixcontact.com/us/products/1411902>

Drawings

Dimensional drawing



DIN rail module, 6 x SC duplex, without pigtailed

FOC-PP-SB-SC:6 - Splice box



1411902

<https://www.phoenixcontact.com/us/products/1411902>

Environmental product compliance

EU RoHS

| | |
|---|--------------------|
| Fulfills EU RoHS substance requirements | Yes, No exemptions |
|---|--------------------|

China RoHS

| | |
|--|--|
| Environment friendly use period (EFUP) | EFUP-E |
| | No hazardous substances above the limits |

EU REACH SVHC

| | |
|-------------------------------------|----------------------------|
| REACH candidate substance (CAS No.) | No substance above 0.1 wt% |
|-------------------------------------|----------------------------|

Phoenix Contact 2026 © - all rights reserved
<https://www.phoenixcontact.com>

Phoenix Contact USA
586 Fulling Mill Road
Middletown, PA 17057, United States
(+717) 944-1300
info@phoenixcon.com