

FOC-PP-SB-LC:6 - Splice box



1411901

<https://www.phoenixcontact.com/us/products/1411901>

Please be informed that the data shown in this PDF document is generated from our online catalog. Please find the complete data in the user documentation. Our general terms of use for downloads are valid.

DIN rail splice box, without pigtails, for 6x LC duplex



DIN rail splice box, with LC duplex, without pigtails and splice holder

Product description

Splice box, front plate assembled with 6x LC duplex coupling, without pigtails and splice holder. Housing (2-piece) for fixing on the DIN rail, integrated rack for accommodating excess lengths of fiber (protection), cable entry possible by means of M20 x 1.5 screw connection on top/bottom (screw connection available as an option). Ready for DIN rail mounting by means of adapter on the back, ready for equipotential bonding

Supplied as standard: DIN rail housing, empty (2-piece), front plate with port marking and integrated splice comb (mounted), front plate assembled with 6x LC duplex coupling

Commercial data

Item number	1411901
Packing unit	1 pc
Note	Made to order (non-returnable)
Sales key	NULL
Product key	ABNGAB
GTIN	4046356944953
Weight per piece (including packing)	898.7 g
Weight per piece (excluding packing)	757.7 g
Customs tariff number	85367000
Country of origin	DE

FOC-PP-SB-LC:6 - Splice box



1411901

<https://www.phoenixcontact.com/us/products/1411901>

Technical data

Notes

Order information:	DIN rail splice box, including pigtails, splice comb and preassembled completely ready to splice, is available under Item No. 1420318
Notes on operation	Pigtails and splice holders must also be mounted, cable gland not included

Product properties

Product type	Network distributor box
Housing type	DIN rail adapter
Type	Rail-mountable module
Connection profile	LC connectors
No. of cable outlets	2
Number of module slots	6
Number of slots	12
Protective cover	yes
Cable outlet	above and below

Electrical properties

Attenuation	≥ 0.3 dB
-------------	---------------

Connection data

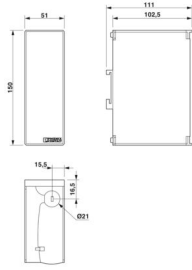
Connection technology

Connection method	LC duplex
-------------------	-----------

Interfaces

Signal type/category	Ethernet
----------------------	----------

Dimensions

Dimensional drawing	
Width	52 mm
Height	150 mm
Depth	110 mm

Housing

FOC-PP-SB-LC:6 - Splice box



1411901

<https://www.phoenixcontact.com/us/products/1411901>

Housing width	52 mm
---------------	-------

Mechanical characteristics

Ferrule diameter	1.25 mm
------------------	---------

Material specifications

Color	light gray RAL 7035
Flammability rating according to UL 94	V0
Housing material	Sheet steel
Housing surface material	Powder-coated, gray

Cable/line

Cable type	Fiberglass
Cable type	for all common cable types
Signal type/category	Ethernet
Halogen-free	yes
Flame resistance	yes

FO cable

Number of fibers	12
Fiber	GOF
Fiber type	Multimode fiberglass 50/125 µm
Transmission medium	FO

Mechanical properties

Mechanical data

Insertion/withdrawal cycles	> 500
-----------------------------	-------

Characteristics

Attenuation	≥ 0.3 dB
-------------	---------------

Environmental and real-life conditions

Ambient conditions

Degree of protection	IP20 IP20
Ambient temperature (operation)	-40 °C ... 85 °C (IEC 61300-2-22)
Ambient temperature (storage/transport)	-40 °C ... 85 °C
Ambient temperature (assembly)	-5 °C ... 55 °C

Standards and regulations

Flame resistance	yes
------------------	-----

Mounting

Mounting type	DIN rail mounting
---------------	-------------------

FOC-PP-SB-LC:6 - Splice box

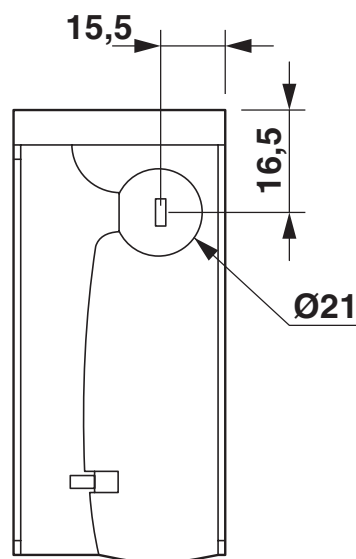
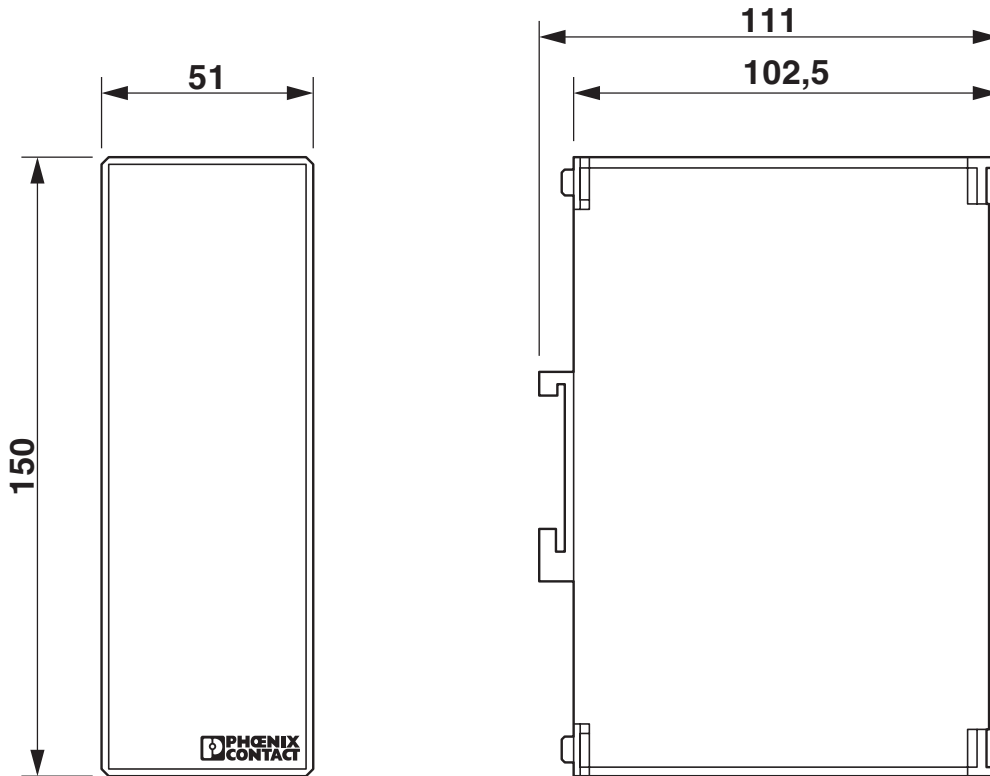


1411901

<https://www.phoenixcontact.com/us/products/1411901>

Drawings

Dimensional drawing



DIN rail module, 6 x LC duplex, without pigtails

FOC-PP-SB-LC:6 - Splice box



1411901

<https://www.phoenixcontact.com/us/products/1411901>

Environmental product compliance

EU RoHS

Fulfills EU RoHS substance requirements	Yes, No exemptions
---	--------------------

China RoHS

Environment friendly use period (EFUP)	EFUP-E
	No hazardous substances above the limits

EU REACH SVHC

REACH candidate substance (CAS No.)	No substance above 0.1 wt%
-------------------------------------	----------------------------

Phoenix Contact 2026 © - all rights reserved
<https://www.phoenixcontact.com>

Phoenix Contact USA
586 Fulling Mill Road
Middletown, PA 17057, United States
(+717) 944-1300
info@phoenixcon.com