

NBC-MR/ 2,0-971 SCO VR - Bus system cable



1411900

<https://www.phoenixcontact.com/us/products/1411900>

Please be informed that the data shown in this PDF document is generated from our online catalog. Please find the complete data in the user documentation. Our general terms of use for downloads are valid.



Bus system cable, VARAN, 6-position, PVC, black, shielded, Plug angled M12 SPEEDCON, on free cable end, cable length: 2 m, Customer version

Commercial data

Item number	1411900
Packing unit	1 pc
Minimum order quantity	25 pc
Product key	AF1CMM
GTIN	4046356955270
Weight per piece (including packing)	22.22 g
Weight per piece (excluding packing)	22.22 g
Country of origin	PL

1411900

<https://www.phoenixcontact.com/us/products/1411900>

Technical data

Product properties

Product type	Data cable preassembled
Application	Bus system
Number of positions	6
No. of cable outlets	1
Coding	A

Insulation characteristics

Overvoltage category	II
Degree of pollution	3

Interfaces

Bus system	VARAN
Signal type/category	VARAN

Signaling

Status display	no
Status display present	no

Electrical properties

Insulation resistance	$\geq 100 \text{ M}\Omega$
Nominal voltage U_N	30 V AC
	30 V DC
Nominal current I_N	2 A
Transmission medium	Copper

Material specifications

Flammability rating according to UL 94	HB
--	----

Connector

Connection 1

Type	Plug angled M12 SPEEDCON
Locking type	SPEEDCON
Material	CuZn
	Ni/Au
	TPU GF
	TPU, hardly inflammable, self-extinguishing
	Zinc die-cast, nickel-plated

Connection 2

Type	free cable end
------	----------------

NBC-MR/ 2,0-971 SCO VR - Bus system cable




1411900

<https://www.phoenixcontact.com/us/products/1411900>

Cable/line

Cable length	2 m
--------------	-----

VARAN PVC [971]

Dimensional drawing	
UL AWM Style	2461 (80°C/300 V)
Number of positions	6
Shielded	yes
Cable type	VARAN PVC [971]
Conductor structure	1x2x24/32+2x2x24/19, SF/UTP
Signal runtime	5.3 ns/m
Conductor structure signal line	19x 0.13 mm
AWG signal line	24
Conductor structure, voltage supply	32x 0.10 mm
AWG power supply	24
Conductor cross-section	2x 2x 0.25 mm ² (Signal line) 2x 0.25 mm ² (Power supply)
Wire diameter incl. insulation	1.25 mm (Signal line) 1.4 mm (Power supply)
External cable diameter	7.00 mm ±0.2 mm
Outer sheath, material	PVC
External sheath, color	black
Conductor material	Bare Cu litz wires
Material wire insulation	PE
Single wire, color	blue-yellow, green-orange, red-blue
Thickness, outer sheath	0.90 mm
Twisted pairs	2 cores to the pair
Overall twist	3 pairs with filler elements to the core
Optical shield covering	85 %
Max. conductor resistance	78 Ω/km (at 20 °C)
Insulation resistance	≥ 500 MΩ*km (at 20 °C)
Working capacitance	approx. 57 nF (at 1 kHz)
Nominal voltage, cable	≤ 80 V
Test voltage Core/Core	1000 V
Test voltage Core/Shield	1000.00 V
Minimum bending radius, fixed installation	4 x D

NBC-MR/ 2,0-971 SCO VR - Bus system cable



1411900

<https://www.phoenixcontact.com/us/products/1411900>

Minimum bending radius, flexible installation	8 x D
Smallest bending radius, fixed installation	28 mm
Smallest bending radius, movable installation	56 mm
Dynamic load capacity (bending)	Max. bending cycles: 200000, Bending radius: 5 x D
Flame resistance	according to IEC 60332-1-2
Resistance to oil	According to DIN EN 60811-2-1, 168 h at 100°C
Ambient temperature (operation)	-40 °C ... 80 °C
Ambient temperature (installation)	-40 °C ... 80 °C

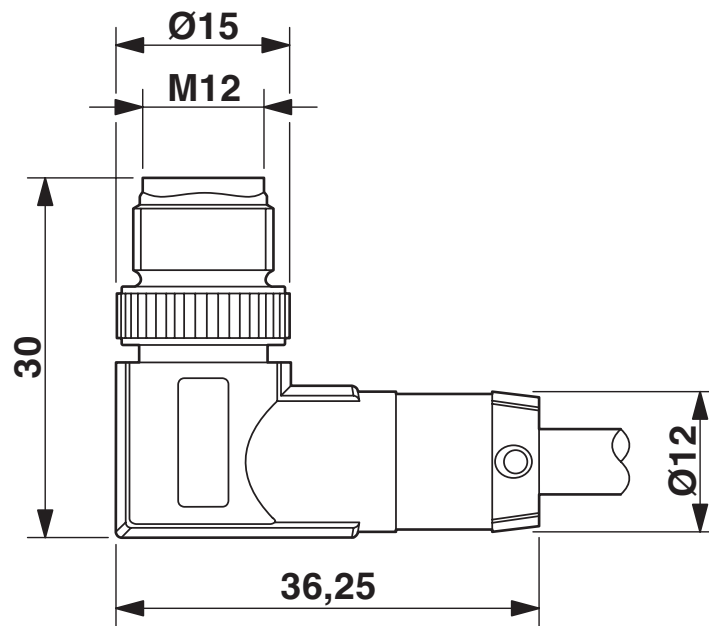
Environmental and real-life conditions

Ambient conditions

Degree of protection	IP65/IP67/IP69K
Ambient temperature (operation) (male connector/female connector)	-25 °C ... 90 °C (Plug / socket)

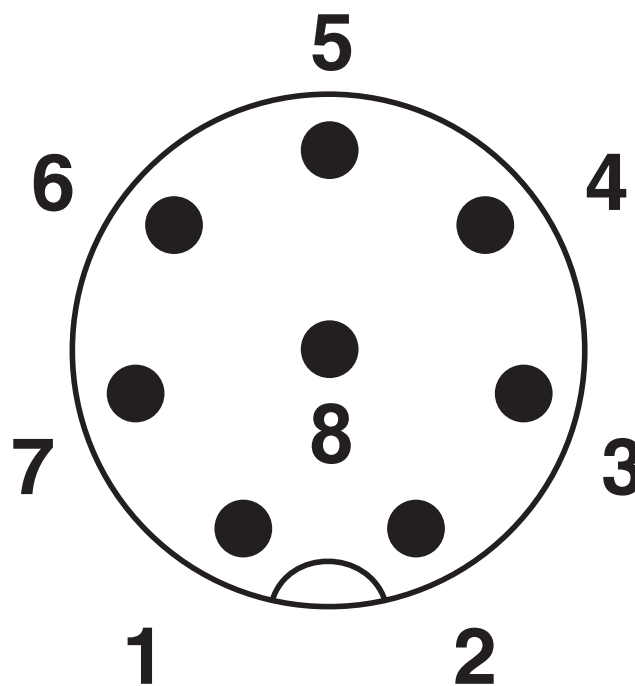
Drawings

Dimensional drawing



M12 x 1 male plug, angled, shielded

Schematic diagram



Pin assignment M12 plug, 8-pos., view plug side

NBC-MR/ 2,0-971 SCO VR - Bus system cable



1411900

<https://www.phoenixcontact.com/us/products/1411900>

Classifications

ECLASS

ECLASS-13.0	27060307
ECLASS-15.0	27060307

Phoenix Contact 2026 © - all rights reserved

<https://www.phoenixcontact.com>

Phoenix Contact USA
586 Fulling Mill Road
Middletown, PA 17057, United States
(+717) 944-1300
info@phoenixcon.com