

# HC-HPR-B16-HHWH-1TTM40-EM-BK - Housing



1411885

<https://www.phoenixcontact.com/us/products/1411885>

Please be informed that the data shown in this PDF document is generated from our online catalog. Please find the complete data in the user documentation. Our general terms of use for downloads are valid.



Sleeve housing B16, with screw locking, material: Die-cast aluminum, cable outlets: 1, straight, 1x M40, height: 110.5 mm, cable gland: none, protective cover: no, Railway applications, for increased environmental and EMC requirements, Series HPR

## Your advantages

- Vibration and shock: IEC 61373/EN 50155, category 1, class 1B

## Commercial data

Item number	1411885
Packing unit	1 pc
Minimum order quantity	1 pc
Sales key	BF60
Product key	AF7AAI
GTIN	4046356944533
Weight per piece (including packing)	651 g
Weight per piece (excluding packing)	746 g
Customs tariff number	85389099
Country of origin	CN

1411885

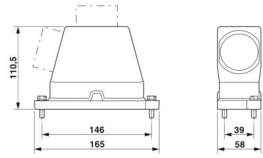
<https://www.phoenixcontact.com/us/products/1411885>

## Technical data

### Product properties

Product type	Housing with screw locking
Housing type	Sleeve housing
Product family	HC-HPR-B
Series	HPR-B16
Application	Railway applications
Type	B16
No. of cable outlets	1
Type of the screw connection	1x M40
Protective cover	no
Cable outlet	straight
Pg screw connection	none

### Dimensions

Dimensional drawing	
Width	59.2 mm
Height	110.5 mm
Length	166.2 mm

### Material specifications

Housing material	Die-cast aluminum
Housing surface material	Powder-coated, black
Locking latch material	Stainless steel

### Environmental and real-life conditions

#### Ambient conditions

Degree of protection	IP66 IP68 (0.5 bar / 24 h) IP69 (ISO 20653:2013-02)
Impact strength	IK09
Ambient temperature (operation)	-40 °C ... 125 °C

### Mechanical properties

#### Mechanical data

Type of the screw connection	1x M40
Locking type	Screw

# HC-HPR-B16-HHWH-1TTM40-EM-BK - Housing



1411885

<https://www.phoenixcontact.com/us/products/1411885>

## Mounting

Assembly note

M6 locking screw, slotted hexagon head screw (SW10),  
tightening torque: 4 Nm

# HC-HPR-B16-HHWH-1TTM40-EM-BK - Housing

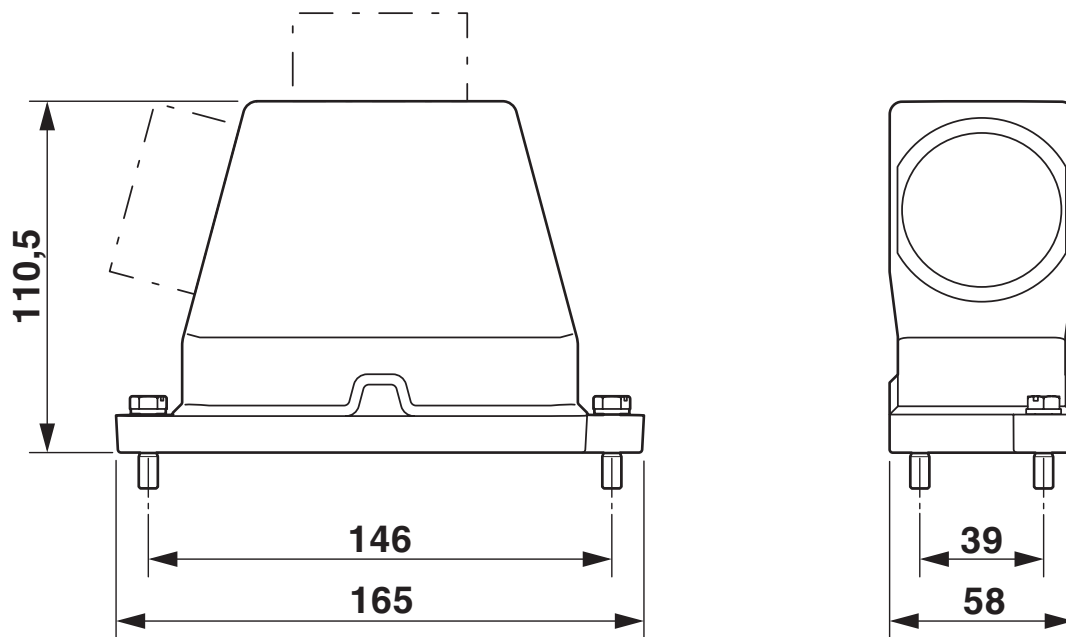
1411885

<https://www.phoenixcontact.com/us/products/1411885>



## Drawings

Dimensional drawing



Dimensional drawing

1411885

<https://www.phoenixcontact.com/us/products/1411885>

## Approvals

🔗 To download certificates, visit the product detail page: <https://www.phoenixcontact.com/us/products/1411885>

**DNV**

Approval ID: TAE000037S

**ENEC**

**EAC**

Approval ID: RU C-DE.AI30.B.01102

1411885

<https://www.phoenixcontact.com/us/products/1411885>

## Classifications

### ECLASS

ECLASS-13.0	27440202
ECLASS-15.0	27440202

### ETIM

ETIM 10.0	EC000437
-----------	----------

### UNSPSC

UNSPSC 21.0	31261500
-------------	----------

1411885

<https://www.phoenixcontact.com/us/products/1411885>

## Environmental product compliance

### EU RoHS

Fulfills EU RoHS substance requirements	Yes, No exemptions
---	--------------------

### China RoHS

Environment friendly use period (EFUP)	EFUP-E
	No hazardous substances above the limits

### EU REACH SVHC

REACH candidate substance (CAS No.)	No substance above 0.1 wt%
-------------------------------------	----------------------------

Phoenix Contact 2026 © - all rights reserved  
<https://www.phoenixcontact.com>

Phoenix Contact USA  
586 Fulling Mill Road  
Middletown, PA 17057, United States  
(+717) 944-1300  
[info@phoenixcon.com](mailto:info@phoenixcon.com)