

HC-HPR-B06-SHFH-2SSM20-EMR-BK - Housing



1411880

<https://www.phoenixcontact.com/us/products/1411880>

Please be informed that the data shown in this PDF document is generated from our online catalog. Please find the complete data in the user documentation. Our general terms of use for downloads are valid.



HEAVYCON B6 box mounting base, for screw locking, HPR series, with 2 x M20 gland, for increased environmental and EMC requirements

Your advantages

- Vibration and shock: IEC 61373/EN 50155, category 1, class 1B

Commercial data

Item number	1411880
Packing unit	1 pc
Minimum order quantity	1 pc
Sales key	BF60
Product key	AF7AAI
GTIN	4046356944472
Weight per piece (including packing)	822 g
Weight per piece (excluding packing)	806 g
Customs tariff number	85389099
Country of origin	CN

1411880

<https://www.phoenixcontact.com/us/products/1411880>

Technical data

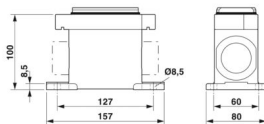
Product properties

Product type	Housing with screw locking
Housing type	Surface mounting housing
Product family	HC-HPR-B
Series	HPR-B6
Application	Railway applications
Type	B6
No. of cable outlets	2
Type of the screw connection	2x M20
Protective cover	no
Cable outlet	lateral
Pg screw connection	none

Connection data

Tightening torque	10 Nm ... 15 Nm (for M8 mounting screws on the surface-mount housing)
-------------------	---

Dimensions

Dimensional drawing	
Width	80 mm
Height	100 mm
Length	157 mm
Drill hole distance, horizontal	127 mm
Drill hole distance, vertical	60 mm
Hole diameter	8.5 mm

Material specifications

Seal material	NBR
Housing material	Die-cast aluminum
Housing surface material	Powder-coated, black

Environmental and real-life conditions

Ambient conditions

Degree of protection	IP66
	IP68 (0.5 bar / 24 h)
	IP69 (ISO 20653:2013-02)
Impact strength	IK09

HC-HPR-B06-SHFH-2SSM20-EMR-BK - Housing



1411880

<https://www.phoenixcontact.com/us/products/1411880>

Ambient temperature (operation)	-40 °C ... 125 °C
---------------------------------	-------------------

Mechanical properties

Mechanical data

Type of the screw connection	2x M20
Locking type	Nut

HC-HPR-B06-SHFH-2SSM20-EMR-BK - Housing

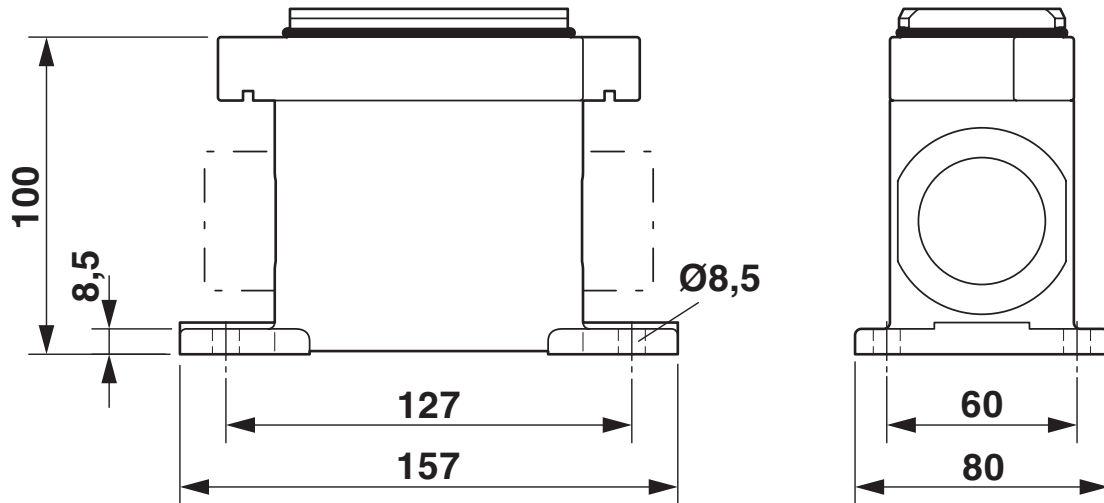


1411880

<https://www.phoenixcontact.com/us/products/1411880>

Drawings

Dimensional drawing



Dimensional drawing

1411880

<https://www.phoenixcontact.com/us/products/1411880>

Approvals

🔗 To download certificates, visit the product detail page: <https://www.phoenixcontact.com/us/products/1411880>

DNV

Approval ID: TAE000037S

ENEC

EAC

Approval ID: RU C-DE.AI30.B.01102

1411880

<https://www.phoenixcontact.com/us/products/1411880>

Classifications

ECLASS

ECLASS-13.0	27440202
ECLASS-15.0	27440202

ETIM

ETIM 10.0	EC000437
-----------	----------

UNSPSC

UNSPSC 21.0	31261500
-------------	----------

HC-HPR-B06-SHFH-2SSM20-EMR-BK - Housing



1411880

<https://www.phoenixcontact.com/us/products/1411880>

Environmental product compliance

EU RoHS

Fulfills EU RoHS substance requirements	Yes, No exemptions
---	--------------------

China RoHS

Environment friendly use period (EFUP)	EFUP-E
	No hazardous substances above the limits

EU REACH SVHC

REACH candidate substance (CAS No.)	No substance above 0.1 wt%
-------------------------------------	----------------------------

Phoenix Contact 2026 © - all rights reserved
<https://www.phoenixcontact.com>

Phoenix Contact USA
586 Fulling Mill Road
Middletown, PA 17057, United States
(+717) 944-1300
info@phoenixcon.com