

# NBC-R4AC-IE8A/.../... - Network cable

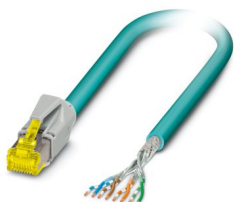


1411853

<https://www.phoenixcontact.com/us/products/1411853>

Please be informed that the data shown in this PDF document is generated from our online catalog. Please find the complete data in the user documentation. Our general terms of use for downloads are valid.

Network cable, degree of protection: IP20, number of positions: 8, 10 Gbps, CAT6<sub>A</sub>, Ethernet



## Commercial data

Item number	1411853
Packing unit	1 pc
Minimum order quantity	1 pc
Note	Made to order (non-returnable)
Sales key	AB50
Product key	ABNABF
Customs tariff number	85444210
Country of origin	PL

## Technical data

### Product properties

Product type	Data cable preassembled
Product family	RJ45 INDUSTRIAL IE8 CAT6A
Number of positions	8
Shielded	yes

### Interfaces

Signal type/category	Ethernet CAT6 <sub>A</sub> , 10 Gbps
	CC-Link IE CAT6 <sub>A</sub> , 10 Gbps

### Signaling

Status display	no
Status display present	no

### Electrical properties

Rated voltage (III/3)	72 V (DC)
Nominal voltage $U_N$	48 V
Nominal current $I_N$	0.5 A
Transmission medium	Copper
Transmission speed	10 Gbps
Transmission characteristics (category)	CAT6 <sub>A</sub>
Transmission speed	10 Gbps
Wave impedance	100 $\Omega$

### Mechanical properties

#### Mechanical data

Insertion/withdrawal cycles	200
Insertion force per signal contact	50.00 N
Extraction force per signal contact	30 N

### Material specifications

Outer sheath, material	PUR
Conductor material	Bare Cu litz wires

### Connector

#### Connection 1

Type	Plug straight RJ45
Shielded	yes
Degree of protection	IP20

#### Connection 2

# NBC-R4AC-IE8A/.../... - Network cable



1411853

<https://www.phoenixcontact.com/us/products/1411853>

Type	free cable end
------	----------------

## Cable/line

### Ethernet 10 Gbit [94F]

UL AWM Style	21238 (80 °C / 600 V)
Number of positions	8
Shielded	yes
Cable type	Ethernet 10 Gbit [94F] Ethernet 10 Gbit 94F
Conductor structure	4x2xAWG26/7; S/FTP
AWG signal line	26
Conductor cross-section	4x 2x 0.14 mm <sup>2</sup>
Wire diameter incl. insulation	1 mm ±0.05 mm
External cable diameter	6.40 mm ±0.2 mm
Outer sheath, material	PUR
External sheath, color	water blue RAL 5021
Conductor material	Bare Cu litz wires
Material wire insulation	Foamed PE
Single wire, color	white/blue-blue, white/orange-orange, white/green-green, white/brown-brown
Twisted pairs	2 cores to the pair
Overall twist	4 pairs for core
Shielding	Tinned copper braided shield
Optical shield covering	70 %
Insulation resistance	≥ 500 MΩ*km
Loop resistance	≤ 290.00 Ω/km
Wave impedance	100 Ω ±5 Ω (at 100 MHz)
Nominal voltage, cable	≤ 100 V
Test voltage Core/Core	2000 V (50 Hz, 1 min.)
Test voltage Core/Shield	2000.00 V (50 Hz, 1 min.)
Minimum bending radius, fixed installation	4 x D
Minimum bending radius, flexible installation	8 x D
Smallest bending radius, fixed installation	26 mm
Smallest bending radius, movable installation	51 mm
Halogen-free	according to IEC 60754-1
Flame resistance	according to IEC 60332-1-2 in accordance with UN ECE-R 118.03 according to CSA C 22.2 No. 210-FT1
Resistance to oil	in accordance with DIN EN 60811-404
Ambient temperature (operation)	-40 °C ... 80 °C (cable, fixed installation) -20 °C ... 80 °C (Cable, flexible installation)

## Environmental and real-life conditions

# NBC-R4AC-IE8A/.../... - Network cable



1411853

<https://www.phoenixcontact.com/us/products/1411853>

## Ambient conditions

Degree of protection	IP20 (RJ45 connector)
	IP20
Ambient temperature (operation) (male connector/female connector)	-20 °C ... 70 °C (RJ45 connector)
Ambient temperature (operation)	-20 °C ... 80 °C (cable, fixed installation)

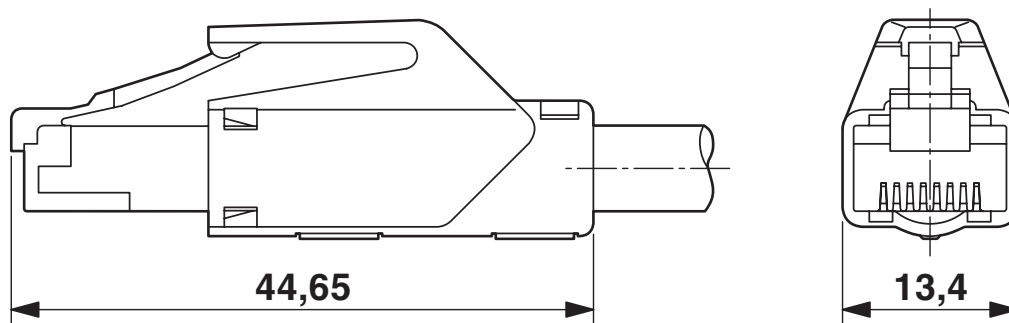
# NBC-R4AC-IE8A/.../... - Network cable

1411853

<https://www.phoenixcontact.com/us/products/1411853>

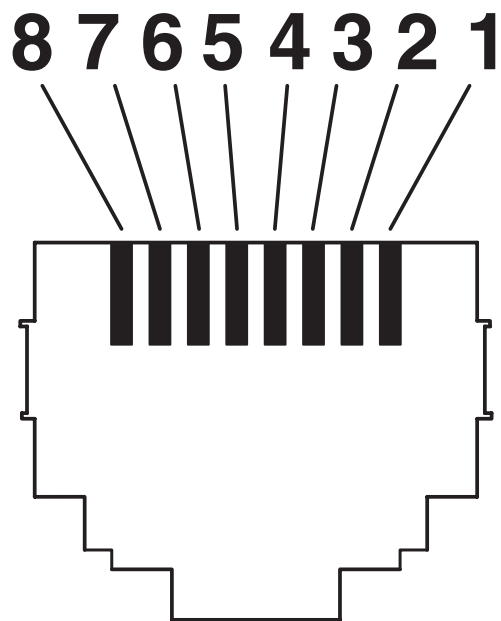
## Drawings

Dimensional drawing



RJ45 connector, IP20

Schematic diagram



Connector pin assignment plug RJ45

# NBC-R4AC-IE8A/.../... - Network cable



1411853

<https://www.phoenixcontact.com/us/products/1411853>

## Approvals

To download certificates, visit the product detail page: <https://www.phoenixcontact.com/us/products/1411853>



**EAC**

Approval ID: 19060508

# NBC-R4AC-IE8A/.../... - Network cable



1411853

<https://www.phoenixcontact.com/us/products/1411853>

## Classifications

### ECLASS

ECLASS-13.0	27060307
ECLASS-15.0	27060307

### UNSPSC

UNSPSC 21.0	26121600
-------------	----------

# NBC-R4AC-IE8A/.../... - Network cable



1411853

<https://www.phoenixcontact.com/us/products/1411853>

## Environmental product compliance

### EU RoHS

Fulfills EU RoHS substance requirements	Yes, No exemptions
---	--------------------

### China RoHS

Environment friendly use period (EFUP)	EFUP-E
	No hazardous substances above the limits

### EU REACH SVHC

REACH candidate substance (CAS No.)	No substance above 0.1 wt%
-------------------------------------	----------------------------

Phoenix Contact 2026 © - all rights reserved  
<https://www.phoenixcontact.com>

Phoenix Contact USA  
586 Fulling Mill Road  
Middletown, PA 17057, United States  
(+717) 944-1300  
[info@phoenixcon.com](mailto:info@phoenixcon.com)