

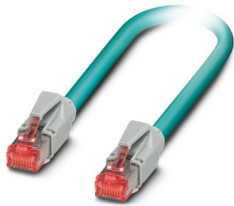
NBC-R4AC-R4AC-IE8/.../... - Network cable



1411842

<https://www.phoenixcontact.com/us/products/1411842>

Please be informed that the data shown in this PDF document is generated from our online catalog. Please find the complete data in the user documentation. Our general terms of use for downloads are valid.



Network cable, degree of protection: IP20, number of positions: 8, 1 Gbps, CAT5, cable outlet: straight, Ethernet

Commercial data

Item number	1411842
Packing unit	1 pc
Minimum order quantity	1 pc
Note	Made to order (non-returnable)
Sales key	AB50
Product key	ABNABE
Customs tariff number	85444210
Country of origin	PL

Technical data

Product properties

Product type	Data cable preassembled
Product family	RJ45 INDUSTRIAL IE8 CAT5
Number of positions	8
No. of cable outlets	1
Shielded	yes
Cable outlet	straight

Insulation characteristics

Degree of pollution	2
---------------------	---

Interfaces

Signal type/category	Ethernet CAT5 (IEC 11801:2002), 1 Gbps
----------------------	--

Signaling

Status display	no
Status display present	no

Electrical properties

Rated voltage (III/3)	72 V (DC)
Nominal voltage U_N	48 V
Nominal current I_N	1 A
Transmission medium	Copper
Transmission speed	1 Gbps
Transmission characteristics (category)	CAT5
Transmission speed	1 Gbps
Wave impedance	100 Ω

Mechanical properties

Mechanical data

Insertion/withdrawal cycles	≥ 750
Insertion force per signal contact	50.00 N
Extraction force per signal contact	30 N

Material specifications

Flammability rating according to UL 94	V2
--	----

Connector

Connection 1

Type	Plug straight RJ45
Shielded	yes

NBC-R4AC-R4AC-IE8/.../... - Network cable



1411842

<https://www.phoenixcontact.com/us/products/1411842>

Degree of protection	IP20
----------------------	------

Connection 2

Type	Plug straight RJ45
Shielded	yes
Insertion/withdrawal cycles	≥ 750
Degree of protection	IP20

Cable/line

Ethernet flexible CAT5, 4-pair [94B]

Cable weight	47 kg/km
UL AWM Style	20963 (80°C/30 V)
Number of positions	8
Shielded	yes
Cable type	Ethernet flexible CAT5, 4-pair [94B] Ethernet flexible CAT5, 4-pair 94B
Conductor structure	4x2xAWG26/7, SF/UTP
Signal runtime	5.3 ns/m
Conductor structure signal line	7x 0.16 mm
AWG signal line	26
Conductor cross-section	4x 2x 0.14 mm ²
Wire diameter incl. insulation	0.96 mm
External cable diameter	6.40 mm ±0.2 mm
Outer sheath, material	PUR
External sheath, color	water blue RAL 5021
Conductor material	Bare Cu litz wires
Material wire insulation	Foamed PE
Single wire, color	white/blue-blue, white/orange-orange, white/green-green, white/brown-brown
Thickness, outer sheath	1.05 mm
Twisted pairs	2 cores to the pair
Overall twist	4 pairs for core
Shielding	Aluminum-coated foil, tinned copper braided shield
Optical shield covering	70 %
Insulation resistance	≥ 5 GΩ*km
Coupling resistance	≤ 100.00 mΩ/m (at 10 MHz)
Loop resistance	≤ 290.00 Ω/km
Wave impedance	100 Ω ±5 Ω (at 100 MHz)
Cable capacity	48 nF/km (at 1 kHz)
Nominal voltage, cable	≤ 100 V
Test voltage Core/Core	700 V (50 Hz, 1 min.)
Test voltage Core/Shield	700.00 V (50 Hz, 1 min.)
Minimum bending radius, fixed installation	4 x D
Minimum bending radius, flexible installation	8 x D

NBC-R4AC-R4AC-IE8/.../... - Network cable



1411842

<https://www.phoenixcontact.com/us/products/1411842>

Smallest bending radius, fixed installation	26 mm
Smallest bending radius, movable installation	52 mm
Tensile strength	≤ 100 N
Near end crosstalk attenuation (NEXT)	71.3 dB (with 1 MHz)
	62.3 dB (at 4 MHz)
	56.3 dB (at 10 MHz)
	53.2 dB (at 16 MHz)
	51.8 dB (at 20 MHz)
	48.9 dB (at 31.25 MHz)
	44.4 dB (at 62.5 MHz)
Power-summated near end crosstalk attenuation (PSNEXT)	41.3 dB (at 100 MHz)
	62.3 dB (with 1 MHz)
	53.3 dB (at 4 MHz)
	47.3 dB (at 10 MHz)
	44.2 dB (at 16 MHz)
	42.8 dB (at 20 MHz)
	39.9 dB (at 31.25 MHz)
Return attenuation (RL)	35.4 dB (at 62.5 MHz)
	32.3 dB (at 100 MHz)
	23 dB (at 4 MHz)
	24.1 dB (at 8 MHz)
	25 dB (at 10 MHz)
	25 dB (at 16 MHz)
	25 dB (at 20 MHz)
	23.6 dB (at 31.25 MHz)
Remote crosstalk attenuation (FEXT)	21.5 dB (at 62.5 MHz)
	20.1 dB (at 100 MHz)
	23 dB (at 4 MHz)
	24.1 dB (at 8 MHz)
	25 dB (at 10 MHz)
	25 dB (at 16 MHz)
	25 dB (at 20 MHz)
	23.6 dB (at 31.25 MHz)
Wave attenuation	21.5 dB (at 62.5 MHz)
	20.1 dB (at 100 MHz)
	3.2 dB (with 1 MHz)
	6 dB (at 4 MHz)
	9.5 dB (at 10 MHz)
	12.1 dB (at 16 MHz)
	13.6 dB (at 20 MHz)
	17.1 dB (at 31.25 MHz)
Halogen-free	24.8 dB (at 62.5 MHz)
	32 dB (at 100 MHz)
	according to IEC 60754-1

NBC-R4AC-R4AC-IE8/.../... - Network cable



1411842

<https://www.phoenixcontact.com/us/products/1411842>

Flame resistance	according to IEC 60332-1-2
Resistance to oil	in accordance with EN 60811-2-1
Ambient temperature (operation)	-40 °C ... 80 °C (cable, fixed installation)
	-20 °C ... 80 °C (Cable, flexible installation)

Ethernet drag chain CAT5, 4-pair [94C]

Cable weight	57 kg/km
UL AWM Style	20963 (80°C/30 V)
Number of positions	8
Shielded	yes
Cable type	Ethernet drag chain CAT5, 4-pair [94C]
	Ethernet drag chain CAT5, 4-pair 94C
Conductor structure	4x2xAWG26/19, S/UTP
Signal runtime	5.3 ns/m
Conductor structure signal line	19x 0.10 mm
AWG signal line	26
Conductor cross-section	4x 2x 0.14 mm ²
Wire diameter incl. insulation	1 mm
External cable diameter	6.90 mm +0.1 mm ... 0.2 mm
Outer sheath, material	PUR
External sheath, color	water blue RAL 5021
Conductor material	Bare Cu litz wires
Material wire insulation	PP
Single wire, color	white/blue-blue, white/orange-orange, white/green-green, white/brown-brown
Thickness, outer sheath	0.85 mm
Twisted pairs	2 cores to the pair
Overall twist	Four pairs and four fillers to the core
Shielding	Tinned copper braided shield
Optical shield covering	90 %
Insulation resistance	≥ 500 MΩ*km
Coupling resistance	≤ 100.00 mΩ/m (at 10 MHz)
Loop resistance	≤ 290.00 Ω/km
Wave impedance	100 Ω ±5 Ω (at 100 MHz)
Cable capacity	approx. 50 nF/km (at 1 kHz)
Nominal voltage, cable	≤ 100 V
Test voltage Core/Core	700 V (50 Hz, 1 min.)
Test voltage Core/Shield	700.00 V (50 Hz, 1 min.)
Minimum bending radius, fixed installation	4 x D
Minimum bending radius, flexible installation	8 x D
Smallest bending radius, fixed installation	28 mm
Smallest bending radius, movable installation	56 mm
Dynamic load capacity (bending)	Max. bending cycles: 5000000, Bending radius: 7,5 x D, Traversing rate: 3 m/s, Acceleration: 5 m/s ²
Tensile strength	≤ 100 N

NBC-R4AC-R4AC-IE8/.../... - Network cable



1411842

<https://www.phoenixcontact.com/us/products/1411842>

Near end crosstalk attenuation (NEXT)	65.3 dB (with 1 MHz)
	56.3 dB (at 4 MHz)
	50.3 dB (at 10 MHz)
	47.2 dB (at 16 MHz)
	45.8 dB (at 20 MHz)
	42.9 dB (at 31.25 MHz)
	38.4 dB (at 62.5 MHz)
	35.3 dB (at 100 MHz)
Power-summated near end crosstalk attenuation (PSNEXT)	62.3 dB (with 1 MHz)
	53.3 dB (at 4 MHz)
	47.3 dB (at 10 MHz)
	44.2 dB (at 16 MHz)
	42.8 dB (at 20 MHz)
	39.9 dB (at 31.25 MHz)
	35.4 dB (at 62.5 MHz)
	32.3 dB (at 100 MHz)
Return attenuation (RL)	23 dB (at 4 MHz)
	24.1 dB (at 8 MHz)
	25 dB (at 10 MHz)
	25 dB (at 16 MHz)
	25 dB (at 20 MHz)
	23.6 dB (at 31.25 MHz)
	21.5 dB (at 62.5 MHz)
	20.1 dB (at 100 MHz)
Remote crosstalk attenuation (FEXT)	23 dB (at 4 MHz)
	24.1 dB (at 8 MHz)
	25 dB (at 10 MHz)
	25 dB (at 16 MHz)
	25 dB (at 20 MHz)
	23.6 dB (at 31.25 MHz)
	21.5 dB (at 62.5 MHz)
	20.1 dB (at 100 MHz)
Wave attenuation	3.2 dB (with 1 MHz)
	6 dB (at 4 MHz)
	9.5 dB (at 10 MHz)
	12.1 dB (at 16 MHz)
	13.6 dB (at 20 MHz)
	17.1 dB (at 31.25 MHz)
	24.8 dB (at 62.5 MHz)
	32 dB (at 100 MHz)
Halogen-free	according to IEC 60754-1
Flame resistance	according to IEC 60332-1-2
Resistance to oil	in accordance with EN 60811-2-1
Ambient temperature (operation)	-40 °C ... 80 °C (cable, fixed installation)

NBC-R4AC-R4AC-IE8/.../... - Network cable



1411842

<https://www.phoenixcontact.com/us/products/1411842>

	-20 °C ... 80 °C (Cable, flexible installation)
Ethernet [94D]	
UL AWM Style	2464 (80°C/300 V)
Number of positions	8
Shielded	yes
Cable type	Ethernet [94D] Ethernet 94D
Conductor structure	4x2xAWG26/7, SF/UTP
Signal speed	0.6 c
Conductor structure signal line	7x 0.16 mm
AWG signal line	26
Conductor cross-section	4x 2x 0.14 mm ²
Wire diameter incl. insulation	0.98 mm ±0.05 mm
External cable diameter	6.40 mm ±0.2 mm
Outer sheath, material	PVC (reinforced) UV-resistant
External sheath, color	black RAL 9005
Conductor material	Bare Cu litz wires
Material wire insulation	PP
Single wire, color	white/blue-blue, white/orange-orange, white/green-green, white/brown-brown
Thickness, outer sheath	0.80 mm
Twisted pairs	2 cores to the pair
Overall twist	4 pairs, twisted
Shielding	Aluminum-lined polyester foil, tinned copper braided shield
Optical shield covering	85 %
Max. conductor resistance	< 140 Ω/km
Insulation resistance	≥ 5 GΩ*km
Wave impedance	100 Ω ±15 Ω (at 4 ... 100 MHz)
Cable capacity	< 56 nF/km
Nominal voltage, cable	72 V DC 300 V AC
Test voltage Core/Core	2500 V DC (2 s)
Test voltage Core/Shield	2500.00 V DC (2 s)
Smallest bending radius, fixed installation	30 mm
Smallest bending radius, movable installation	60 mm
Tensile strength	80 N
Flame resistance	According to VW-1
Resistance to oil	according to IEC 60811-2-1
Other resistance	UV resistant (according to UL 1581, Section 1200)
Ambient temperature (operation)	-40 °C ... 80 °C (cable, fixed installation)

Environmental and real-life conditions

Ambient conditions

NBC-R4AC-R4AC-IE8/.../... - Network cable



1411842

<https://www.phoenixcontact.com/us/products/1411842>

Degree of protection	IP20 (RJ45 connector)
	IP20
Ambient temperature (operation) (male connector/female connector)	-20 °C ... 70 °C (RJ45 connector)
Ambient temperature (operation)	-40 °C ... 80 °C (cable, fixed installation)

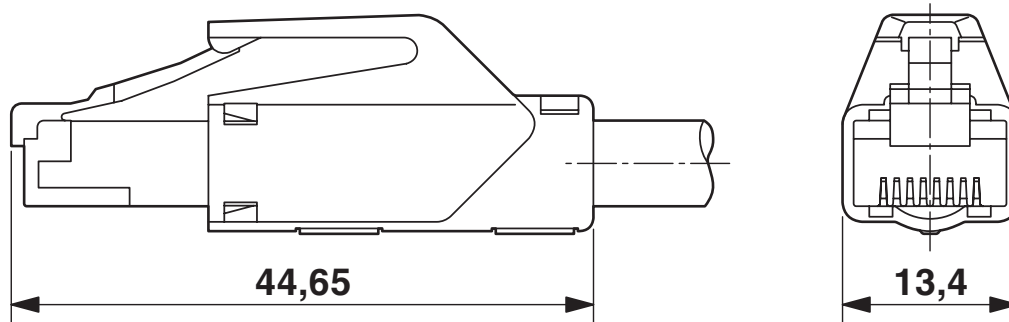
NBC-R4AC-R4AC-IE8/.../... - Network cable

1411842

<https://www.phoenixcontact.com/us/products/1411842>

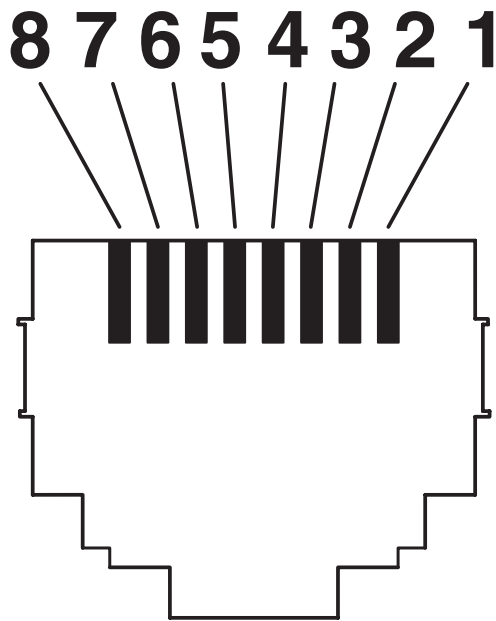
Drawings

Dimensional drawing



RJ45 connector, IP20

Schematic diagram



Connector pin assignment plug RJ45

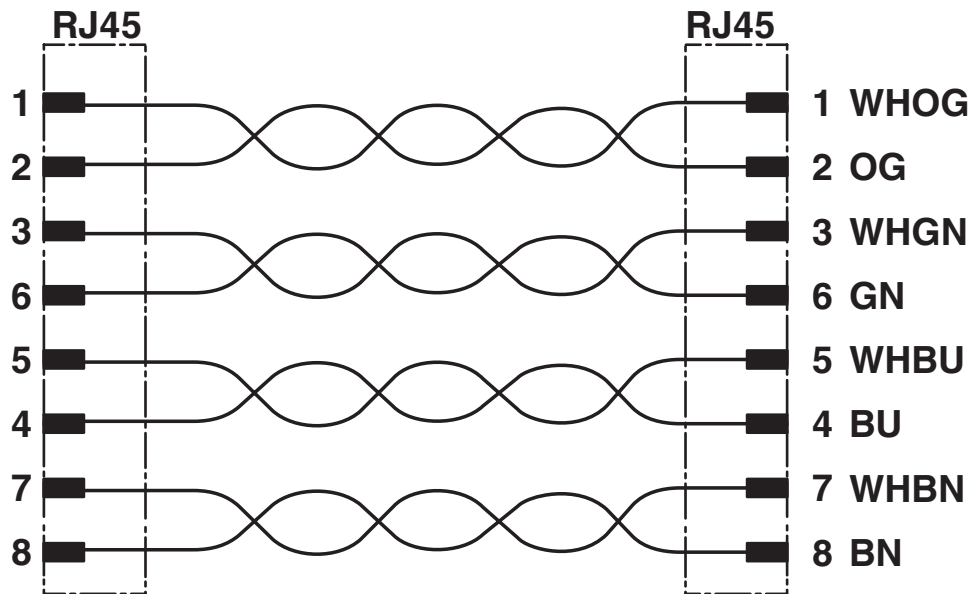
NBC-R4AC-R4AC-IE8/.../... - Network cable



1411842

<https://www.phoenixcontact.com/us/products/1411842>

Circuit diagram



Contact assignment of RJ45 plugs

NBC-R4AC-R4AC-IE8/.../... - Network cable



1411842

<https://www.phoenixcontact.com/us/products/1411842>

Approvals

To download certificates, visit the product detail page: <https://www.phoenixcontact.com/us/products/1411842>



EAC

Approval ID: 19060508

NBC-R4AC-R4AC-IE8/.../... - Network cable



1411842

<https://www.phoenixcontact.com/us/products/1411842>

Classifications

ECLASS

ECLASS-13.0	27060307
ECLASS-15.0	27060307

UNSPSC

UNSPSC 21.0	26121600
-------------	----------

NBC-R4AC-R4AC-IE8/.../... - Network cable



1411842

<https://www.phoenixcontact.com/us/products/1411842>

Environmental product compliance

EU RoHS

Fulfills EU RoHS substance requirements	Yes, No exemptions
---	--------------------

China RoHS

Environment friendly use period (EFUP)	EFUP-E
	No hazardous substances above the limits

EU REACH SVHC

REACH candidate substance (CAS No.)	No substance above 0.1 wt%
-------------------------------------	----------------------------

Phoenix Contact 2026 © - all rights reserved

<https://www.phoenixcontact.com>

Phoenix Contact USA
586 Fulling Mill Road
Middletown, PA 17057, United States
(+717) 944-1300
info@phoenixcon.com