

# NBC-R4AC-R4AC-IE4/.../... - Network cable



1411831

<https://www.phoenixcontact.com/us/products/1411831>

Please be informed that the data shown in this PDF document is generated from our online catalog. Please find the complete data in the user documentation. Our general terms of use for downloads are valid.



Network cable, degree of protection: IP20, number of positions: 4, 100 Mbps, CAT5, cable outlet: straight, Ethernet, 2x2xAWG26/7, SF/UTP, water blue RAL 5021

## Commercial data

Item number	1411831
Packing unit	1 pc
Minimum order quantity	1 pc
Note	Made to order (non-returnable)
Sales key	AB50
Product key	ABNABD
Customs tariff number	85444210
Country of origin	PL

## Technical data

### Product properties

Product type	Data cable preassembled
Product family	RJ45 INDUSTRIAL IE4 CAT5
Number of positions	4
No. of cable outlets	1
Number of slots	1
Shielded	yes
Cable outlet	straight

### Interfaces

Signal type/category	Ethernet CAT5 (IEC 11801:2002), 100 Mbps
----------------------	--

### Signaling

Status display	no
Status display present	no

### Electrical properties

Rated voltage (III/3)	72 V (DC)
Nominal voltage $U_N$	48 V
Nominal current $I_N$	1 A
Transmission medium	Copper
Transmission speed	100 Mbps
Transmission characteristics (category)	CAT5 (IEC 11801:2002)
Transmission speed	100 Mbps

### Mechanical properties

#### Mechanical data

Insertion/withdrawal cycles	$\geq 750$
Insertion force per signal contact	50.00 N
Extraction force per signal contact	30 N

### Material specifications

Flammability rating according to UL 94	V2
Outer sheath, material	PUR
Conductor material	Bare Cu litz wires

### Connector

#### Connection 1

Type	Plug straight RJ45
Shielded	yes
Degree of protection	IP20

# NBC-R4AC-R4AC-IE4/.../... - Network cable



1411831


<https://www.phoenixcontact.com/us/products/1411831>

## Connection 2

Type	Plug straight RJ45
Shielded	yes
Insertion/withdrawal cycles	≥ 750
Degree of protection	IP20

## Cable/line

### Ethernet flexible CAT5, 2-pair [93E]

Dimensional drawing	
Cable weight	42 kg/km
UL AWM Style	20963 (80°C/30 V)
Wiring standards/regulations	Electrical requirements EN 50288-2-2
Number of positions	4
Shielded	yes
Cable type	Ethernet flexible CAT5, 2-pair [93E]
Conductor structure	2x2xAWG26/7, SF/UTP
Signal runtime	5.3 ns/m
Conductor structure signal line	7x 0.16 mm
AWG signal line	26
Conductor cross-section	2x 2x 0.14 mm <sup>2</sup>
Wire diameter incl. insulation	0.98 mm
External cable diameter	6.40 mm ±0.2 mm
Outer sheath, material	PUR
External sheath, color	water blue RAL 5021
Conductor material	Bare Cu litz wires
Material wire insulation	Foamed PE
Single wire, color	white/orange-orange, white/green-green
Thickness, outer sheath	1.20 mm
Twisted pairs	2 cores to the pair
Overall twist	Two pairs with two fillers to the core
Optical shield covering	70 %
Insulation resistance	≥ 500 MΩ*km
Coupling resistance	≤ 100.00 mΩ/m (at 10 MHz)
Loop resistance	≤ 290.00 Ω/km
Wave impedance	100 Ω ±5 Ω (at 100 MHz)
Cable capacity	approx. 45 nF/km (at 1 kHz)

# NBC-R4AC-R4AC-IE4/.../... - Network cable



1411831

<https://www.phoenixcontact.com/us/products/1411831>

Nominal voltage, cable	≤ 100 V (Peak value, not for high-power applications)
Test voltage Core/Core	700 V (50 Hz, 1 min.)
Test voltage Core/Shield	700.00 V (50 Hz, 1 min.)
Current carrying capacity of cable	2.00 A (according to DIN VDE 0891-1)
Minimum bending radius, fixed installation	4 x D
Minimum bending radius, flexible installation	8 x D
Smallest bending radius, fixed installation	26 mm
Smallest bending radius, movable installation	52 mm
Tensile strength	≤ 80 N
Near end crosstalk attenuation (NEXT)	65.3 dB (with 1 MHz)
	56.3 dB (at 4 MHz)
	50.3 dB (at 10 MHz)
	47.2 dB (at 16 MHz)
	45.8 dB (at 20 MHz)
	42.9 dB (at 31.25 MHz)
	38.4 dB (at 62.5 MHz)
	35.3 dB (at 100 MHz)
Power-summed near end crosstalk attenuation (PSNEXT)	62.3 dB (with 1 MHz)
	53.3 dB (at 4 MHz)
	47.3 dB (at 10 MHz)
	44.2 dB (at 16 MHz)
	42.8 dB (at 20 MHz)
	39.9 dB (at 31.25 MHz)
	35.4 dB (at 62.5 MHz)
	32.3 dB (at 100 MHz)
Return attenuation (RL)	23 dB (at 4 MHz)
	24.1 dB (at 8 MHz)
	25 dB (at 10 MHz)
	25 dB (at 16 MHz)
	25 dB (at 20 MHz)
	23.6 dB (at 31.25 MHz)
	21.5 dB (at 62.5 MHz)
	20.1 dB (at 100 MHz)
Shield attenuation	3.2 dB (with 1 MHz)
	6 dB (at 4 MHz)
	9.5 dB (at 10 MHz)
	12.1 dB (at 16 MHz)
	13.6 dB (at 20 MHz)
	17.1 dB (at 31.25 MHz)
	24.8 dB (at 62.5 MHz)
	32 dB (at 100 MHz)
Halogen-free	according to IEC 60754-1
Flame resistance	according to IEC 60332-1-2
	in acc. to UL VW1

# NBC-R4AC-R4AC-IE4/.../... - Network cable



1411831

<https://www.phoenixcontact.com/us/products/1411831>

	in accordance with UN ECE-R 118.03
Resistance to oil	in accordance with EN 60811-2-1
Ambient temperature (operation)	-40 °C ... 80 °C (cable, fixed installation) -20 °C ... 80 °C (Cable, flexible installation)
Ambient temperature (installation)	-20 °C ... 80 °C

## Environmental and real-life conditions

### Ambient conditions

Degree of protection	IP20 (RJ45 connector) IP20
Ambient temperature (operation) (male connector/female connector)	-20 °C ... 70 °C (RJ45 connector)
Ambient temperature (operation)	-20 °C ... 80 °C (cable, fixed installation)

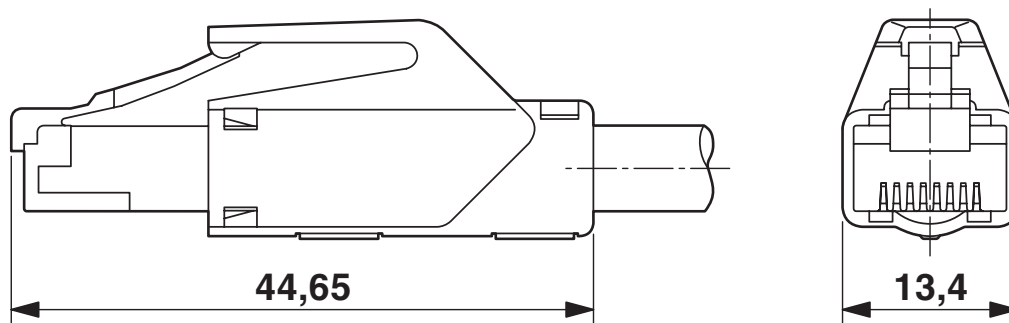
# NBC-R4AC-R4AC-IE4/.../... - Network cable

1411831

<https://www.phoenixcontact.com/us/products/1411831>

## Drawings

Dimensional drawing



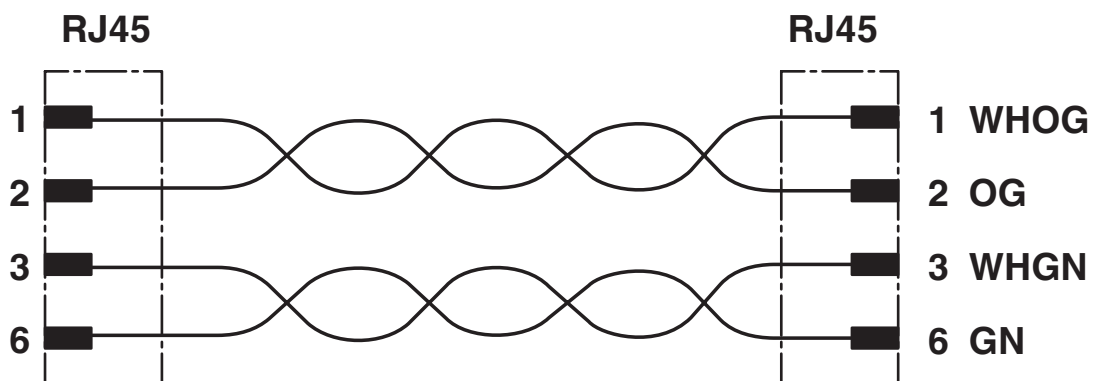
RJ45 connector, IP20

Schematic diagram



Connector pin assignment plug RJ45

Circuit diagram



Contact assignment of RJ45 plugs

# NBC-R4AC-R4AC-IE4/.../... - Network cable



1411831

<https://www.phoenixcontact.com/us/products/1411831>

## Approvals

🔗 To download certificates, visit the product detail page: <https://www.phoenixcontact.com/us/products/1411831>



**EAC**

Approval ID: 19060508

# NBC-R4AC-R4AC-IE4/.../... - Network cable



1411831

<https://www.phoenixcontact.com/us/products/1411831>

## Classifications

### ECLASS

ECLASS-13.0	27060307
ECLASS-15.0	27060307

### UNSPSC

UNSPSC 21.0	26121600
-------------	----------

# NBC-R4AC-R4AC-IE4/.../... - Network cable



1411831

<https://www.phoenixcontact.com/us/products/1411831>

## Environmental product compliance

### EU RoHS

Fulfills EU RoHS substance requirements	Yes, No exemptions
---	--------------------

### China RoHS

Environment friendly use period (EFUP)	EFUP-E
	No hazardous substances above the limits

### EU REACH SVHC

REACH candidate substance (CAS No.)	No substance above 0.1 wt%
-------------------------------------	----------------------------

Phoenix Contact 2026 © - all rights reserved  
<https://www.phoenixcontact.com>

Phoenix Contact USA  
586 Fulling Mill Road  
Middletown, PA 17057, United States  
(+717) 944-1300  
[info@phoenixcon.com](mailto:info@phoenixcon.com)