

# NBC-FSD/ 5,0-93K/R4AC SCO - Network cable



1411541

<https://www.phoenixcontact.com/us/products/1411541>

Please be informed that the data shown in this PDF document is generated from our online catalog. Please find the complete data in the user documentation. Our general terms of use for downloads are valid.



Network cable, Sercos CAT5 (100 Mbps), 4-position, PVC/PVC, signal red RAL 3020, shielded, Socket straight M12 SPEEDCON, coding: D / IP67, on Plug straight RJ45 / IP20, cable length: 5 m

## Commercial data

Item number	1411541
Packing unit	1 pc
Minimum order quantity	1 pc
Sales key	BF04
Product key	AF1CJO
GTIN	4046356933827
Weight per piece (including packing)	368.9 g
Weight per piece (excluding packing)	365.5 g
Customs tariff number	85444290
Country of origin	PL

1411541

<https://www.phoenixcontact.com/us/products/1411541>

## Technical data

### Product properties

Product type	Data cable preassembled
Application	Standard
Sensor type	Sercos
Number of positions	4
Shielded	yes
Coding	D

### Interfaces

Bus system	Sercos III
Signal type/category	Sercos CAT5 (IEC 11801), 100 Mbps

### Signaling

Status display	no
Status display present	no

### Electrical properties

Nominal voltage $U_N$	48 V AC
	60 V DC
Nominal current $I_N$	1 A
Transmission medium	Copper
Transmission speed	100 Mbps
Transmission characteristics (category)	CAT5 (IEC 11801:2002)

### Connector

#### Connection 1

Type	Socket straight M12 SPEEDCON / IP67
Number of positions	4
Locking type	SPEEDCON
Coding type	D (Data)
Handle color	black
Material	CuSn (Contact)
	Ni/Au (Contact surface)
	TPU GF (Contact carrier)
	TPU, hardly inflammable, self-extinguishing (Grip body)
	Zinc die-cast, nickel-plated (Screw connection)
Insertion/withdrawal cycles	≥ 100
Insulation resistance	≥ 100 MΩ
Tightening torque	0.4 Nm
Degree of protection	IP67
Ambient temperature (operation)	-25 °C ... 90 °C

# NBC-FSD/ 5,0-93K/R4AC SCO - Network cable



1411541

<https://www.phoenixcontact.com/us/products/1411541>


## Connection 2

Type	Plug straight RJ45 / IP20
Number of positions	4 (8)
Handle color	black
Material	CuSn (Contact) Ni/Au (Contact surface) PA (Contact carrier) PA (Housing)
Insertion/withdrawal cycles	≥ 750
Degree of protection	IP20
Ambient temperature (operation)	-25 °C ... 80 °C

## Cable/line

Cable length	5 m
--------------	-----

## Sercos III [93K]

Dimensional drawing	
Cable weight	68 kg/km
UL AWM Style	21694 (60 °C / 600 V)
Number of positions	4
Shielded	yes
Cable type	Sercos III [93K]
Conductor structure	1x4xAWG22/7, SF/TQ
Signal runtime	5.3 ns/m
Conductor structure signal line	7x 0.25 mm
AWG signal line	22
Conductor cross-section	4x 0.34 mm <sup>2</sup>
Wire diameter incl. insulation	approx. 1.55 mm
External cable diameter	6.50 mm ±0.2 mm
Outer sheath, material	PVC
External sheath, color	signal red RAL 3020
Conductor material	Tin-plated Cu litz wires
Material wire insulation	PE
Single wire, color	white, yellow, blue, orange
Thickness, outer sheath	approx. 0.90 mm
Type of pair shielding	Aluminum-lined polyester foil
Overall twist	Star quad

# NBC-FSD/ 5,0-93K/R4AC SCO - Network cable



1411541

<https://www.phoenixcontact.com/us/products/1411541>

Max. conductor resistance	≤ 120 Ω/km
Insulation resistance	≥ 0.5 GΩ*km
Coupling resistance	≤ 20.00 mΩ/m (at 10 Hz)
Wave impedance	100 Ω ±15 Ω (at 100 MHz)
Nominal voltage, cable	600 V
Test voltage Core/Core	2000 V (50 Hz, 1 min.)
Test voltage Core/Shield	2000.00 V (50 Hz, 1 min.)
Minimum bending radius, fixed installation	3 x D
Minimum bending radius, flexible installation	7 x D
Smallest bending radius, fixed installation	20 mm
Smallest bending radius, movable installation	46 mm
Flame resistance	according to UL 1685 (CSA FT 4)
Resistance to oil	Resistant to oil to a limited extent
Other resistance	UV resistant (according to UL 1581, Section 1200)
Ambient temperature (operation)	-40 °C ... 70 °C (cable, fixed installation) -40 °C ... 70 °C (Cable, flexible installation)
Ambient temperature (installation)	-20 °C ... 60 °C

## Standards and regulations

### M12

Standard designation	M12 connector
Standards/specifications	IEC 61076-2-101

# NBC-FSD/ 5,0-93K/R4AC SCO - Network cable



1411541

<https://www.phoenixcontact.com/us/products/1411541>

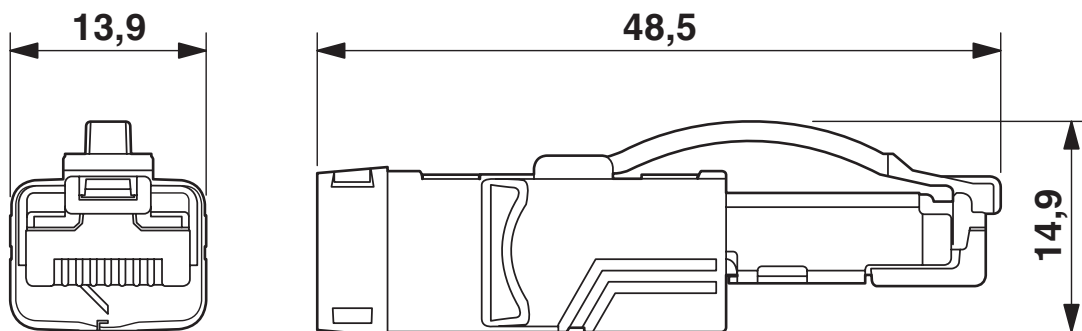
## Drawings

Dimensional drawing



M12 x 1 socket, straight, shielded

Dimensional drawing



RJ45 connector, IP20

1411541

<https://www.phoenixcontact.com/us/products/1411541>

Schematic diagram



Pin assignment M12 socket, 4-pos., D-coded, female side

1411541

<https://www.phoenixcontact.com/us/products/1411541>

Schematic diagram



Connector pin assignment plug RJ45

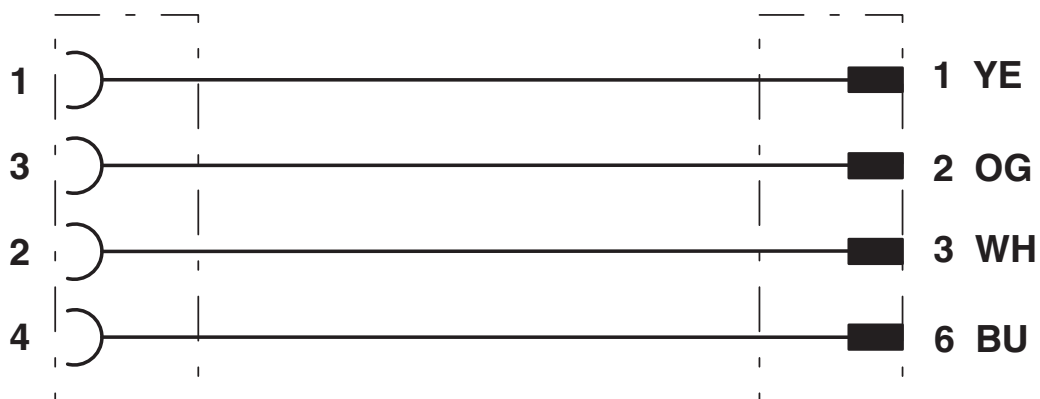
# NBC-FSD/ 5,0-93K/R4AC SCO - Network cable



1411541

<https://www.phoenixcontact.com/us/products/1411541>

Circuit diagram



Contact assignment of the M12 socket and the RJ45 plug

# NBC-FSD/ 5,0-93K/R4AC SCO - Network cable




1411541

<https://www.phoenixcontact.com/us/products/1411541>

## Approvals

To download certificates, visit the product detail page: <https://www.phoenixcontact.com/us/products/1411541>

 <b>cULus Listed</b> Approval ID: E335024				
	Nominal voltage $U_N$	Nominal current $I_N$	Cross section AWG	Cross section $\text{mm}^2$
keine				
	60 V	0.5 A	-	-

# NBC-FSD/ 5,0-93K/R4AC SCO - Network cable



1411541

<https://www.phoenixcontact.com/us/products/1411541>

## Classifications

### ECLASS

ECLASS-13.0	27060307
ECLASS-15.0	27060307

### UNSPSC

UNSPSC 21.0	26121600
-------------	----------

1411541

<https://www.phoenixcontact.com/us/products/1411541>

## Environmental product compliance

### EU RoHS

Fulfills EU RoHS substance requirements	Yes, No exemptions
---	--------------------

### China RoHS

Environment friendly use period (EFUP)	EFUP-E
	No hazardous substances above the limits

### EU REACH SVHC

REACH candidate substance (CAS No.)	No substance above 0.1 wt%
-------------------------------------	----------------------------

### EF3.1 Climate Change

CO2e kg	2.466 kg CO2e
---------	---------------

Phoenix Contact 2026 © - all rights reserved  
<https://www.phoenixcontact.com>

Phoenix Contact USA  
586 Fulling Mill Road  
Middletown, PA 17057, United States  
(+717) 944-1300  
[info@phoenixcon.com](mailto:info@phoenixcon.com)