

HC-B 16-TMS-SD-IP66 - Protective cover



1411517

<https://www.phoenixcontact.com/us/products/1411517>

Please be informed that the data shown in this PDF document is generated from our online catalog. Please find the complete data in the user documentation. Our general terms of use for downloads are valid.



HEAVYCON ADVANCE, IP66, B16 protective cover, for panel mounting side, with screw locking, with retaining cord, diameter of retaining cord eyelet: 3 mm

Commercial data

Item number	1411517
Packing unit	10 pc
Minimum order quantity	10 pc
Sales key	BF66
Product key	AF7AZC
GTIN	4046356918718
Weight per piece (including packing)	57.31 g
Weight per piece (excluding packing)	57.31 g
Customs tariff number	85389099
Country of origin	DE

HC-B 16-TMS-SD-IP66 - Protective cover



1411517

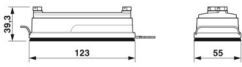
<https://www.phoenixcontact.com/us/products/1411517>

Technical data

Product properties

Product type	Protective cover
Housing type	Protective cover
Type	B16
Retaining cord present	yes
Seal present	yes

Dimensions

Dimensional drawing	
Width	55 mm
Height	39.3 mm
Length	123 mm
Diameter Retaining cord eyelet	3.5 mm

Material specifications

Material Protective cover	PA
Flammability rating according to UL 94	V0
Seal material	NBR
Material, protective cover	PA
Locking latch material	Stainless steel
Material for screw connection	Stainless steel

Mechanical properties

Mechanical data

Locking type	Screw
--------------	-------

Environmental and real-life conditions

Ambient conditions

Degree of protection	IP66
Ambient temperature (operation)	-20 °C ... 100 °C

Mounting

Assembly note	Tightening torque of locking screw: 3 Nm
---------------	--

HC-B 16-TMS-SD-IP66 - Protective cover

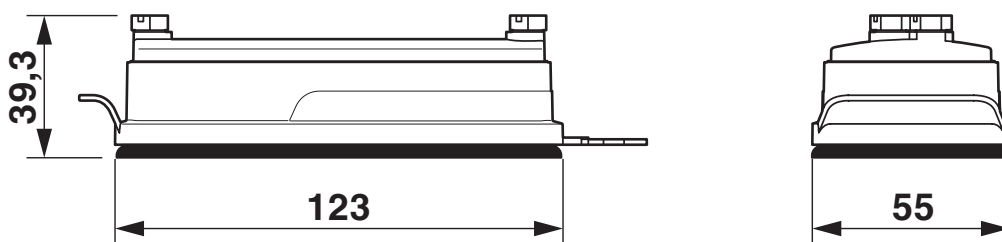


1411517

<https://www.phoenixcontact.com/us/products/1411517>

Drawings

Dimensional drawing



Dimensional drawing

HC-B 16-TMS-SD-IP66 - Protective cover



1411517

<https://www.phoenixcontact.com/us/products/1411517>

Approvals

To download certificates, visit the product detail page: <https://www.phoenixcontact.com/us/products/1411517>



EAC

Approval ID: RU C-DE.AI30.B.01102

HC-B 16-TMS-SD-IP66 - Protective cover



1411517

<https://www.phoenixcontact.com/us/products/1411517>

Classifications

ECLASS

ECLASS-13.0	27440208
ECLASS-15.0	27440208

ETIM

ETIM 10.0	EC002314
-----------	----------

UNSPSC

UNSPSC 21.0	39121400
-------------	----------

HC-B 16-TMS-SD-IP66 - Protective cover



1411517

<https://www.phoenixcontact.com/us/products/1411517>

Environmental product compliance

EU RoHS

Fulfills EU RoHS substance requirements	Yes, No exemptions
---	--------------------

China RoHS

Environment friendly use period (EFUP)	EFUP-E
	No hazardous substances above the limits

EU REACH SVHC

REACH candidate substance (CAS No.)	No substance above 0.1 wt%
-------------------------------------	----------------------------

EF3.1 Climate Change

CO2e kg	1.267 kg CO2e
---------	---------------

Phoenix Contact 2026 © - all rights reserved
<https://www.phoenixcontact.com>

Phoenix Contact USA
586 Fulling Mill Road
Middletown, PA 17057, United States
(+717) 944-1300
info@phoenixcon.com