

# HC-EVO-B10PT-BWSC-HL-M25ELC-AL - Connector set



1411491

<https://www.phoenixcontact.com/us/products/1411491>

Please be informed that the data shown in this PDF document is generated from our online catalog. Please find the complete data in the user documentation. Our general terms of use for downloads are valid.



EVO connector set, B10 series, metal housing, consisting of sleeve housing 1411456, panel mounting base 1411321, EVO screw connection 1411446, push-in contact inserts: 1407729, 1407730

## Commercial data

Item number	1411491
Packing unit	1 pc
Minimum order quantity	1 pc
Sales key	BF63
Product key	AF7AFX
GTIN	4046356932912
Weight per piece (including packing)	531.4 g
Weight per piece (excluding packing)	531.4 g
Customs tariff number	85366990
Country of origin	CN

# HC-EVO-B10PT-BWSC-HL-M25ELC-AL - Connector set



1411491

<https://www.phoenixcontact.com/us/products/1411491>

## Set consists of

### HC-B10-I-PT-F - Contact insert

1407729

<https://www.phoenixcontact.com/us/products/1407729>



Contact insert, number of positions: 10+PE, size: B10, number of connections per position: 1, Socket, Push-in connection, 500 V, 16 A, 0.14 mm<sup>2</sup> ... 2.5 mm<sup>2</sup>, application: Power

---

### HC-B10-I-PT-M - Contact insert

1407730

<https://www.phoenixcontact.com/us/products/1407730>



Contact insert, number of positions: 10+PE, size: B10, number of connections per position: 1, Pin, Push-in connection, 500 V, 16 A, 0.14 mm<sup>2</sup> ... 2.5 mm<sup>2</sup>, application: Power

# HC-EVO-B10PT-BWSC-HL-M25ELC-AL - Connector set



1411491

<https://www.phoenixcontact.com/us/products/1411491>

## HC-EVO-B10-HLFS-EL-AL - Housing

1411456

<https://www.phoenixcontact.com/us/products/1411456>



HEAVYCON EVO sleeve housing, EMC version, without powder coating, with bayonet flange for EVO screw connection, B10, for single locking latch, height: 64 mm, without EVO screw connection.

---

## HC-STA-B10-BWSC-ELC-AL - Housing

1411321

<https://www.phoenixcontact.com/us/products/1411321>



Panel mounting base B10, with single locking latch, material: Die-cast aluminum, salt water resistant, protective cover material: PC, height: 30.5 mm, cable gland: none, protective cover: yes, Standard, with flat gasket

# HC-EVO-B10PT-BWSC-HL-M25ELC-AL - Connector set



1411491

<https://www.phoenixcontact.com/us/products/1411491>

## HC-B-G-M25-EC-AL - Cable gland

1411446

<https://www.phoenixcontact.com/us/products/1411446>



EVO EMC cable gland with bayonet locking, B series, size M25, cable diameter:  
11 ... 16 mm

# HC-EVO-B10PT-BWSC-HL-M25ELC-AL - Connector set



1411491

<https://www.phoenixcontact.com/us/products/1411491>

## Technical data

### Product properties

Product type	Connector set
Housing type	Complete housing
Series	HC-B
Type	B10
Number of positions	10
Connection profile	10+PE
No. of cable outlets	1
Seal present	yes
Protective cover	yes
Cable outlet	straight

### Insulation characteristics

Overvoltage category	III
Degree of pollution	3

### Electrical properties

Rated voltage (III/3)	500 V
Rated surge voltage	6 kV
Rated current	16 A

### Connection data

Connection method	Push-in connection
Connection technology	Push-in connection
Conductor cross-section	0.14 mm <sup>2</sup> ... 2.5 mm <sup>2</sup> (with ferrule) 0.14 mm <sup>2</sup> ... 2.5 mm <sup>2</sup> (with ferrule)
Connection cross section AWG	26 ... 14
Tightening torque	0.5 Nm ... 1.7 Nm (Fixing screws for panel mounting base)
Stripping length	8 mm ... 10 mm

### Dimensions

Dimensional drawing	
Width	53 mm
Height	94.5 mm
Length	93.5 mm
Drill hole distance, horizontal	83 mm

# HC-EVO-B10PT-BWSC-HL-M25ELC-AL - Connector set



1411491

<https://www.phoenixcontact.com/us/products/1411491>

Drill hole distance, vertical	32 mm
-------------------------------	-------

## Installation dimensions

Width of the assembly cutout	35 mm
Length of the assembly cutout	65 mm

## Material specifications

Material Housing	Die-cast aluminum, corrosion-resistant
Material Protective cover	PA
Flammability rating according to UL 94	V0
Seal material	NBR NBR
Contact material	Copper alloy
Contact surface material	Ag
Contact carrier material	PA
Locking latch material	PA

## Cable/line

External cable diameter	11 mm ... 16 mm
-------------------------	-----------------

## Mechanical properties

### Mechanical data

Locking type	Latch
Insertion/withdrawal cycles	≥ 500

## Environmental and real-life conditions

### Ambient conditions

Degree of protection	IP66 IP67 IP66
Enclosure rating (NEMA)	4 (UL 50e) 4X (UL 50e) 12 (UL 50e)
Impact strength	IK08
Ambient temperature (operation)	-40 °C ... 100 °C

## Mounting

Mounting type	Screw mounting
Assembly note	Coding also using the CP-HC (1686478) coding profiles. HC-B6.. / HC-B10..for two coding profiles. HC-B16.. / HC-B24..for four coding profiles.  Connectors may only be operated when there is no load/the power is switched off. Can be used for solid wires and stranded wires with ferrule.

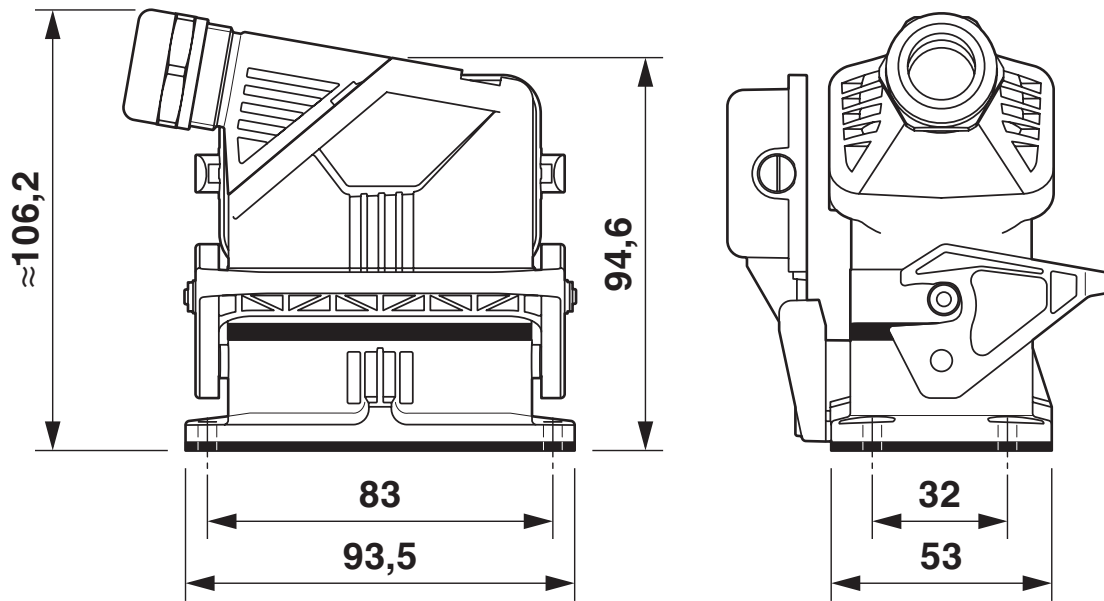
# HC-EVO-B10PT-BWSC-HL-M25ELC-AL - Connector set

1411491

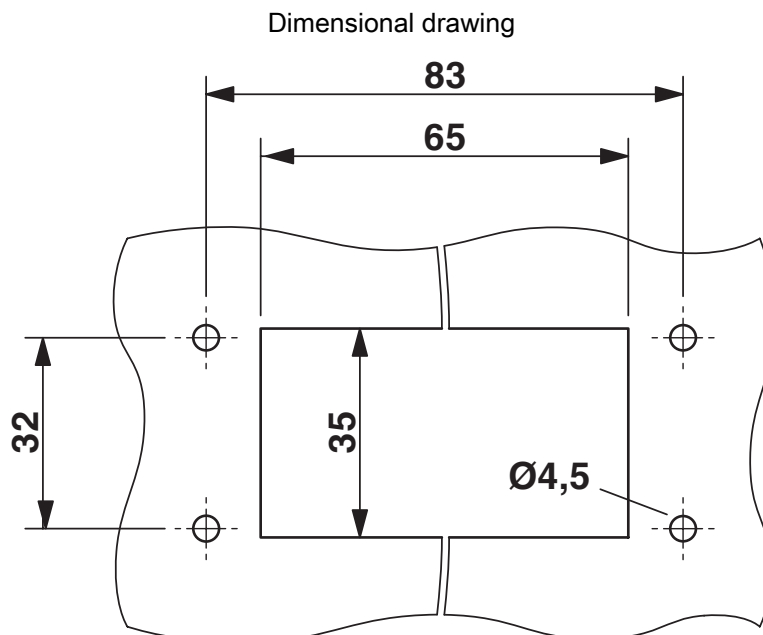
<https://www.phoenixcontact.com/us/products/1411491>

## Drawings

Dimensional drawing



Dimensional drawing



Mounting cutout

# HC-EVO-B10PT-BWSC-HL-M25ELC-AL - Connector set



1411491

<https://www.phoenixcontact.com/us/products/1411491>

## Schematic diagram



Pin assignment, connection side, pin

# HC-EVO-B10PT-BWSC-HL-M25ELC-AL - Connector set



1411491

<https://www.phoenixcontact.com/us/products/1411491>

## Schematic diagram



Pin assignment, connection side, socket

# HC-EVO-B10PT-BWSC-HL-M25ELC-AL - Connector set



1411491

<https://www.phoenixcontact.com/us/products/1411491>



Derating diagram

# HC-EVO-B10PT-BWSC-HL-M25ELC-AL - Connector set



1411491

<https://www.phoenixcontact.com/us/products/1411491>

## Approvals

🔗 To download certificates, visit the product detail page: <https://www.phoenixcontact.com/us/products/1411491>

**DNV**

Approval ID: TAE000037S



**EAC**

Approval ID: RU C-DE.AI30.B.01102

# HC-EVO-B10PT-BWSC-HL-M25ELC-AL - Connector set



1411491

<https://www.phoenixcontact.com/us/products/1411491>

## Classifications

### ECLASS

ECLASS-15.0	27440113
ECLASS-13.0	27440113

### ETIM

ETIM 10.0	EC002636
-----------	----------

### UNSPSC

UNSPSC 21.0	39121400
-------------	----------

# HC-EVO-B10PT-BWSC-HL-M25ELC-AL - Connector set



1411491

<https://www.phoenixcontact.com/us/products/1411491>

## Environmental product compliance

### EU RoHS

Fulfills EU RoHS substance requirements	Yes
Exemption	6(c)

### China RoHS

Environment friendly use period (EFUP)	EFUP-50
	An article-related China RoHS declaration table can be found in the download area for the respective article under "Manufacturer declaration". For all articles with EFUP-E, no China RoHS declaration table issued and required.

### EU REACH SVHC

REACH candidate substance (CAS No.)	Lead(CAS: 7439-92-1)
SCIP	0f9fa3eb-7d0f-46f7-866f-f5388d7d8ef8

Phoenix Contact 2026 © - all rights reserved  
<https://www.phoenixcontact.com>

Phoenix Contact USA  
586 Fulling Mill Road  
Middletown, PA 17057, United States  
(+717) 944-1300  
[info@phoenixcon.com](mailto:info@phoenixcon.com)