

# HC-EVO-B24PT-BWD-HH-M32ELC-AL - Connector set



1411490

<https://www.phoenixcontact.com/us/products/1411490>

Please be informed that the data shown in this PDF document is generated from our online catalog. Please find the complete data in the user documentation. Our general terms of use for downloads are valid.



Connector set, degree of protection: IP66, number of positions: 24, connection method: Push-in connection, connection cross section: AWG 26- 14, cable outlet: straight

## Commercial data

Item number	1411490
Packing unit	1 pc
Minimum order quantity	1 pc
Sales key	BF63
Product key	AF7AFX
GTIN	4046356932905
Weight per piece (including packing)	775.5 g
Weight per piece (excluding packing)	775.5 g
Customs tariff number	85366990
Country of origin	CN

# HC-EVO-B24PT-BWD-HH-M32ELC-AL - Connector set



1411490

<https://www.phoenixcontact.com/us/products/1411490>

## Set consists of

### HC-B24-I-PT-F - Contact insert

1407735

<https://www.phoenixcontact.com/us/products/1407735>



Contact insert, number of positions: 24+PE, size: B24, number of connections per position: 1, Socket, Push-in connection, 500 V, 16 A, 0.14 mm<sup>2</sup> ... 2.5 mm<sup>2</sup>, application: Power

---

### HC-B24-I-PT-M - Contact insert

1407736

<https://www.phoenixcontact.com/us/products/1407736>



Contact insert, number of positions: 24+PE, size: B24, number of connections per position: 1, Pin, Push-in connection, 500 V, 16 A, 0.14 mm<sup>2</sup> ... 2.5 mm<sup>2</sup>, application: Power

# HC-EVO-B24PT-BWD-HH-M32ELC-AL - Connector set



1411490

<https://www.phoenixcontact.com/us/products/1411490>

## HC-B-G-M32-EC-AL - Cable gland

1411440

<https://www.phoenixcontact.com/us/products/1411440>



EVO EMC cable gland with bayonet locking, B series, size M32, cable diameter: 14 ... 21 mm

---

## HC-EVO-B24-HHFD-EL-AL - Housing

1411472

<https://www.phoenixcontact.com/us/products/1411472>



HEAVYCON EVO sleeve housing, EMC version, without powder coating, with bayonet flange for EVO screw connection, B24, for double locking latch, height: 88 mm, without EVO screw connection.

# HC-EVO-B24PT-BWD-HH-M32ELC-AL - Connector set



1411490

<https://www.phoenixcontact.com/us/products/1411490>

## HC-STA-B24-BWD-ELC-AL - Housing

1411331

<https://www.phoenixcontact.com/us/products/1411331>



HEAVYCON B24 panel mounting base, with double locking latch, with flat gasket, salt-water-resistant aluminum, conductive profile gasket

# HC-EVO-B24PT-BWD-HH-M32ELC-AL - Connector set



1411490

<https://www.phoenixcontact.com/us/products/1411490>

## Technical data

### Product properties

Product type	Connector set
Housing type	Complete housing
Series	HC-B
Type	B24
Number of positions	24
Connection profile	24+PE
No. of cable outlets	1
Seal present	yes
Protective cover	no
Cable outlet	straight

### Insulation characteristics

Overvoltage category	III
Degree of pollution	3

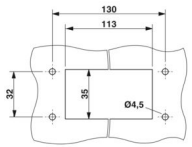
### Electrical properties

Rated voltage (III/3)	500 V
Rated surge voltage	6 kV
Rated current	16 A

### Connection data

Connection method	Push-in connection
Connection technology	Push-in connection
Conductor cross-section	0.14 mm <sup>2</sup> ... 2.5 mm <sup>2</sup> (with ferrule) 0.14 mm <sup>2</sup> ... 2.5 mm <sup>2</sup> (with ferrule)
Connection cross section AWG	26 ... 14
Tightening torque	0.5 Nm ... 1.7 Nm (Fixing screws for panel mounting base)
Stripping length	8 mm ... 10 mm

### Dimensions

Dimensional drawing	
Width	53 mm
Height	118.5 mm
Length	140.5 mm
Drill hole distance, horizontal	130 mm
Drill hole distance, vertical	32 mm

# HC-EVO-B24PT-BWD-HH-M32ELC-AL - Connector set



1411490

<https://www.phoenixcontact.com/us/products/1411490>

## Installation dimensions

Width of the assembly cutout	35 mm
Length of the assembly cutout	113 mm

## Material specifications

Material Housing	Die-cast aluminum, corrosion-resistant
Material Protective cover	PA
Flammability rating according to UL 94	V0
Seal material	NBR NBR
Contact material	Copper alloy
Contact surface material	Ag
Contact carrier material	PA
Locking latch material	PA

## Cable/line

External cable diameter	14 mm ... 21 mm
-------------------------	-----------------

## Mechanical properties

### Mechanical data

Locking type	Latch
Insertion/withdrawal cycles	≥ 500

## Environmental and real-life conditions

### Ambient conditions

Degree of protection	IP66 IP67 IP66
Enclosure rating (NEMA)	4 (UL 50e) 4X (UL 50e) 12 (UL 50e)
Impact strength	IK09
Ambient temperature (operation)	-40 °C ... 100 °C

## Mounting

Mounting type	Screw mounting
Assembly note	Coding also using the CP-HC (1686478) coding profiles. HC-B6.. / HC-B10..for two coding profiles. HC-B16.. / HC-B24..for four coding profiles.  Connectors may only be operated when there is no load/the power is switched off. Can be used for solid wires and stranded wires with ferrule.

# HC-EVO-B24PT-BWD-HH-M32ELC-AL - Connector set



1411490

<https://www.phoenixcontact.com/us/products/1411490>

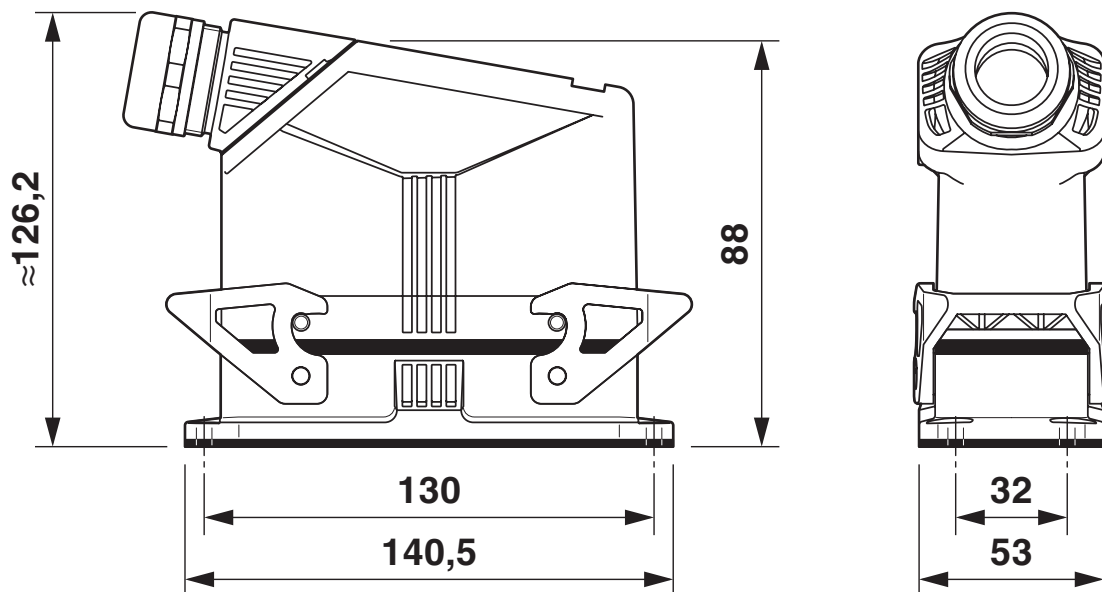
## Drawings

Dimensional drawing



Mounting cutout

Dimensional drawing



Dimensional drawing

# HC-EVO-B24PT-BWD-HH-M32ELC-AL - Connector set

1411490

<https://www.phoenixcontact.com/us/products/1411490>

Schematic diagram



Pin assignment, connection side, pin

# HC-EVO-B24PT-BWD-HH-M32ELC-AL - Connector set



1411490

<https://www.phoenixcontact.com/us/products/1411490>

Schematic diagram



Pin assignment, connection side, socket

1411490

<https://www.phoenixcontact.com/us/products/1411490>



Derating diagram

# HC-EVO-B24PT-BWD-HH-M32ELC-AL - Connector set



1411490

<https://www.phoenixcontact.com/us/products/1411490>

## Approvals

To download certificates, visit the product detail page: <https://www.phoenixcontact.com/us/products/1411490>

**DNV**

Approval ID: TAE000037S



**EAC**

Approval ID: RU C-DE.AI30.B.01102

# HC-EVO-B24PT-BWD-HH-M32ELC-AL - Connector set



1411490

<https://www.phoenixcontact.com/us/products/1411490>

## Classifications

### ECLASS

ECLASS-13.0	27440113
ECLASS-15.0	27440113

### ETIM

ETIM 10.0	EC002636
-----------	----------

### UNSPSC

UNSPSC 21.0	39121400
-------------	----------

# HC-EVO-B24PT-BWD-HH-M32ELC-AL - Connector set



1411490

<https://www.phoenixcontact.com/us/products/1411490>

## Environmental product compliance

### EU RoHS

Fulfills EU RoHS substance requirements	Yes, No exemptions
---	--------------------

### China RoHS

Environment friendly use period (EFUP)	EFUP-E
	No hazardous substances above the limits

### EU REACH SVHC

REACH candidate substance (CAS No.)	No substance above 0.1 wt%
-------------------------------------	----------------------------

Phoenix Contact 2026 © - all rights reserved  
<https://www.phoenixcontact.com>

Phoenix Contact USA  
586 Fulling Mill Road  
Middletown, PA 17057, United States  
(+717) 944-1300  
[info@phoenixcon.com](mailto:info@phoenixcon.com)