

HC-EVO-B16-CHWD-ELC-AL - Housing



1411463

<https://www.phoenixcontact.com/us/products/1411463>

Please be informed that the data shown in this PDF document is generated from our online catalog. Please find the complete data in the user documentation. Our general terms of use for downloads are valid.



HEAVYCON EVO coupling housing, EMC version, without powder coating, with bayonet flange for EVO screw connection, B16, with double locking latch, height: 90.5 mm, without EVO screw connection.

Your advantages

- Flexible cable outlet direction, lateral or straight

Commercial data

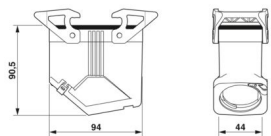
Item number	1411463
Packing unit	1 pc
Note	Made to order (non-returnable)
Sales key	BF57
Product key	AF7AAF
GTIN	4046356932707
Weight per piece (including packing)	253.1 g
Weight per piece (excluding packing)	253.1 g
Customs tariff number	85389099
Country of origin	DE

Technical data

Product properties

Product type	Housing with locking latch
Housing type	Coupling housings
Application	Standard
Type	B16
No. of cable outlets	1
Cable outlet	straight
Pg screw connection	none

Dimensions

Dimensional drawing	
Width	44 mm
Height	90.5 mm
Length	94 mm

Material specifications

Seal material	NBR, conductive
Housing material	Die-cast aluminum, salt water resistant
Housing surface material	uncoated
Locking latch material	PA

Mechanical properties

Mechanical data

Locking type	Latch
--------------	-------

Mounting

Assembly note	The coupling basic housing must be supplemented with the EVO screw connection. The EVO screw connection is available in 4 sizes. It enables the creation of a straight or lateral cable outlet. The EVO screw connection is assembled by hand or using a pipe wrench.
---------------	---

Environmental and real-life conditions

Ambient conditions

Degree of protection	IP66
	IP67
Enclosure rating (NEMA)	4 (UL 50e)
	4X (UL 50e)

HC-EVO-B16-CHWD-ELC-AL - Housing



1411463

<https://www.phoenixcontact.com/us/products/1411463>

	12 (UL 50e)
Impact strength	IK09
Ambient temperature (operation)	-40 °C ... 125 °C

HC-EVO-B16-CHWD-ELC-AL - Housing

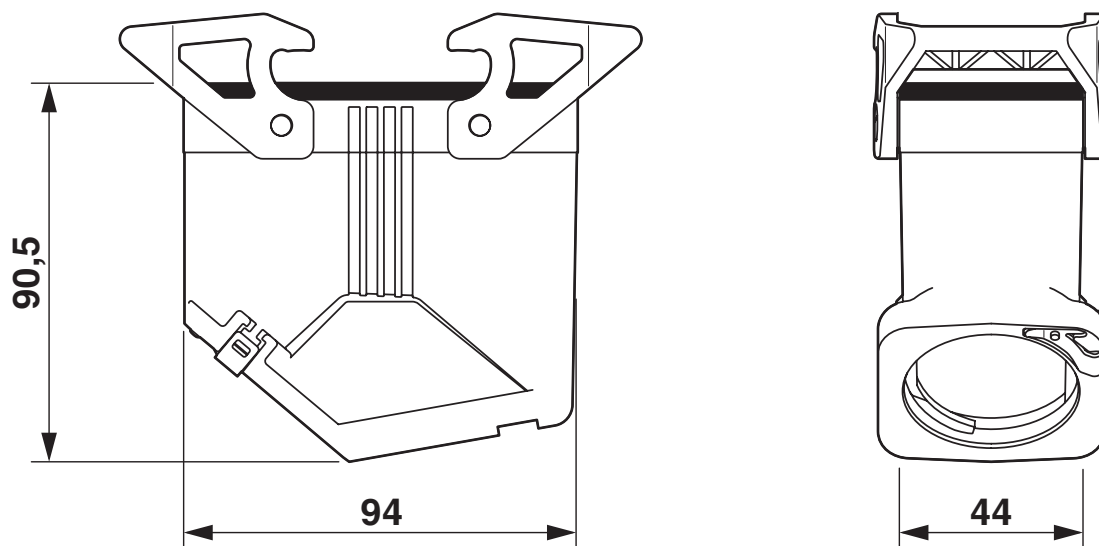
1411463

<https://www.phoenixcontact.com/us/products/1411463>



Drawings

Dimensional drawing



Dimensional drawing

HC-EVO-B16-CHWD-ELC-AL - Housing



1411463

<https://www.phoenixcontact.com/us/products/1411463>

Classifications

ECLASS

ECLASS-13.0	27440202
ECLASS-15.0	27440202

1411463

<https://www.phoenixcontact.com/us/products/1411463>

Environmental product compliance

EU RoHS

Fulfills EU RoHS substance requirements	Yes, No exemptions
---	--------------------

China RoHS

Environment friendly use period (EFUP)	EFUP-E
	No hazardous substances above the limits

EU REACH SVHC

REACH candidate substance (CAS No.)	No substance above 0.1 wt%
-------------------------------------	----------------------------

Phoenix Contact 2026 © - all rights reserved
<https://www.phoenixcontact.com>

Phoenix Contact USA
586 Fulling Mill Road
Middletown, PA 17057, United States
(+717) 944-1300
info@phoenixcon.com