

# HC-EVO-B10-HLWD-EL-AL - Housing



1411457

<https://www.phoenixcontact.com/us/products/1411457>

Please be informed that the data shown in this PDF document is generated from our online catalog. Please find the complete data in the user documentation. Our general terms of use for downloads are valid.



HEAVYCON EVO sleeve housing, EMC version, without powder coating, with bayonet flange for EVO screw connection, B10, with double locking latch, height: 64 mm, without EVO screw connection.

## Your advantages

- Flexible cable outlet direction, lateral or straight

## Commercial data

Item number	1411457
Packing unit	1 pc
Minimum order quantity	1 pc
Sales key	BF57
Product key	AF7APM
GTIN	4046356932646
Weight per piece (including packing)	169 g
Weight per piece (excluding packing)	141.733 g
Customs tariff number	85389099
Country of origin	DE

1411457

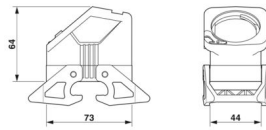
<https://www.phoenixcontact.com/us/products/1411457>

## Technical data

### Product properties

Product type	Housing with locking latch
Housing type	Sleeve housing
Application	Standard
Type	B10
No. of cable outlets	1
Cable outlet	straight
Pg screw connection	none

### Dimensions

Dimensional drawing	
Width	44 mm
Height	64 mm
Length	73 mm

### Material specifications

Flammability rating according to UL 94	V0 (Interlock)
Housing material	Die-cast aluminum, salt water resistant
Housing surface material	uncoated
Locking latch material	PA

### Mechanical properties

#### Mechanical data

Locking type	Latch
--------------	-------

### Environmental and real-life conditions

#### Ambient conditions

Degree of protection	IP66 IP67
Enclosure rating (NEMA)	4 (UL 50e) 4X (UL 50e) 12 (UL 50e)
Impact strength	IK09
Ambient temperature (operation)	-40 °C ... 125 °C

# HC-EVO-B10-HLWD-EL-AL - Housing

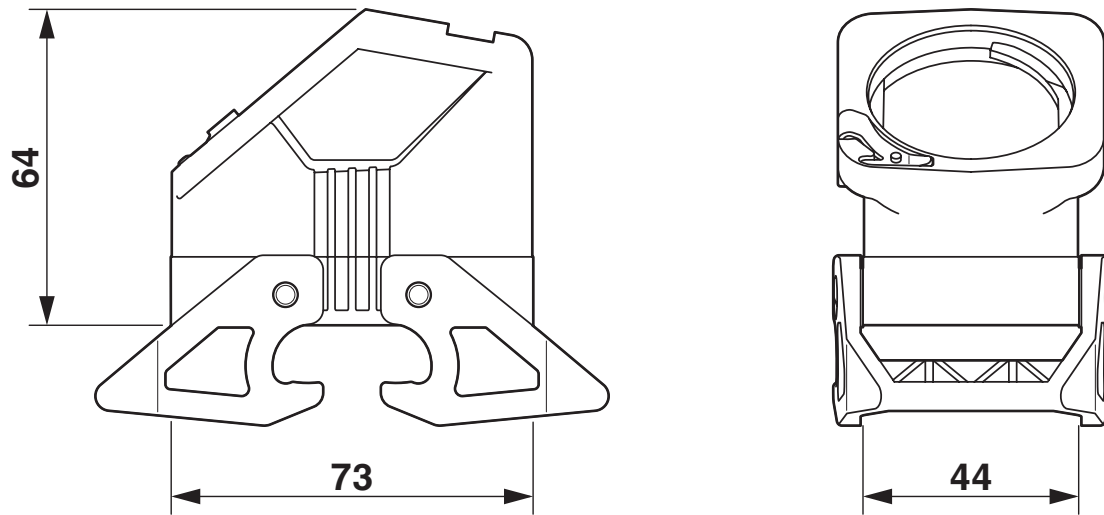


1411457

<https://www.phoenixcontact.com/us/products/1411457>

## Drawings

Dimensional drawing



Dimensional drawing

1411457

<https://www.phoenixcontact.com/us/products/1411457>

## Approvals

🔗 To download certificates, visit the product detail page: <https://www.phoenixcontact.com/us/products/1411457>

### DNV

Approval ID: TAE000037S



### cUL Recognized

Approval ID: E255026



### UL Recognized

Approval ID: E255026



### EAC

Approval ID: RU C-DE.AI30.B.01102

# HC-EVO-B10-HLWD-EL-AL - Housing



1411457

<https://www.phoenixcontact.com/us/products/1411457>

## Classifications

### ECLASS

ECLASS-13.0	27440202
ECLASS-15.0	27440202

### ETIM

ETIM 10.0	EC000437
-----------	----------

### UNSPSC

UNSPSC 21.0	31261500
-------------	----------

# HC-EVO-B10-HLWD-EL-AL - Housing



1411457

<https://www.phoenixcontact.com/us/products/1411457>

## Environmental product compliance

### EU RoHS

Fulfills EU RoHS substance requirements	Yes, No exemptions
---	--------------------

### China RoHS

Environment friendly use period (EFUP)	EFUP-E
	No hazardous substances above the limits

### EU REACH SVHC

REACH candidate substance (CAS No.)	No substance above 0.1 wt%
-------------------------------------	----------------------------

Phoenix Contact 2026 © - all rights reserved  
<https://www.phoenixcontact.com>

Phoenix Contact USA  
586 Fulling Mill Road  
Middletown, PA 17057, United States  
(+717) 944-1300  
[info@phoenixcon.com](mailto:info@phoenixcon.com)