

# HC-EVO-B06-CHWS-ELC-AL - Housing



1411450

<https://www.phoenixcontact.com/us/products/1411450>

Please be informed that the data shown in this PDF document is generated from our online catalog. Please find the complete data in the user documentation. Our general terms of use for downloads are valid.



HEAVYCON EVO coupling housing, EMC version, without powder coating, with bayonet flange for EVO screw connection, B6, with single locking latch, height: 82 mm, without EVO screw connection.

## Your advantages

- Flexible cable outlet direction, lateral or straight

## Commercial data

Item number	1411450
Packing unit	1 pc
Note	Made to order (non-returnable)
Sales key	BF57
Product key	AF7AAF
GTIN	4046356932578
Weight per piece (including packing)	178 g
Weight per piece (excluding packing)	160.8 g
Customs tariff number	85389099
Country of origin	DE

1411450

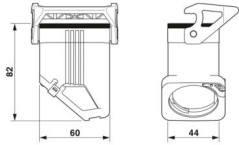
<https://www.phoenixcontact.com/us/products/1411450>

## Technical data

### Product properties

Product type	Housing with locking latch
Housing type	Coupling housings
Application	Standard
Type	B6
No. of cable outlets	1
Cable outlet	straight
Pg screw connection	none

### Dimensions

Dimensional drawing	
Width	44 mm
Height	82 mm
Length	60 mm

### Material specifications

Seal material	NBR, conductive
Housing material	Die-cast aluminum, salt water resistant
Housing surface material	uncoated
Locking latch material	PA

### Mechanical properties

#### Mechanical data

Locking type	Latch
--------------	-------

### Mounting

Assembly note	The coupling basic housing must be supplemented with the EVO screw connection. The EVO screw connection is available in 4 sizes. It enables the creation of a straight or lateral cable outlet. The EVO screw connection is assembled by hand or using a pipe wrench.
---------------	---

### Environmental and real-life conditions

#### Ambient conditions

Degree of protection	IP66
	IP67
Enclosure rating (NEMA)	4 (UL 50e)
	4X (UL 50e)

# HC-EVO-B06-CHWS-ELC-AL - Housing



1411450

<https://www.phoenixcontact.com/us/products/1411450>

	12 (UL 50e)
Impact strength	IK08
Ambient temperature (operation)	-40 °C ... 125 °C

# HC-EVO-B06-CHWS-ELC-AL - Housing

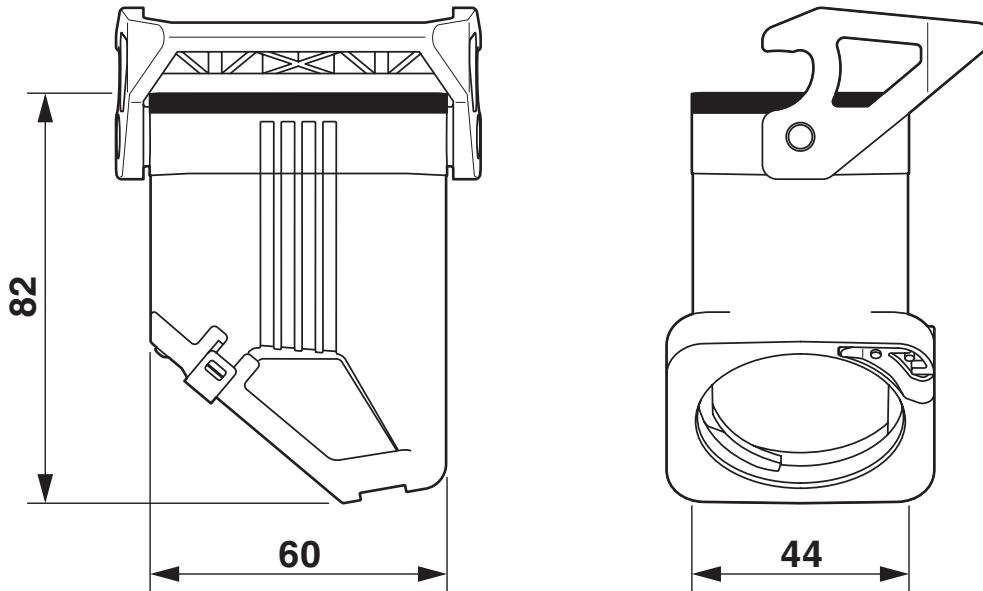


1411450

<https://www.phoenixcontact.com/us/products/1411450>

## Drawings

Dimensional drawing



Dimensional drawing

# HC-EVO-B06-CHWS-ELC-AL - Housing



1411450

<https://www.phoenixcontact.com/us/products/1411450>

## Classifications

### ECLASS

ECLASS-13.0	27440202
ECLASS-15.0	27440202

1411450

<https://www.phoenixcontact.com/us/products/1411450>

## Environmental product compliance

### EU RoHS

Fulfills EU RoHS substance requirements	Yes, No exemptions
---	--------------------

### China RoHS

Environment friendly use period (EFUP)	EFUP-E
	No hazardous substances above the limits

### EU REACH SVHC

REACH candidate substance (CAS No.)	No substance above 0.1 wt%
-------------------------------------	----------------------------

Phoenix Contact 2026 © - all rights reserved  
<https://www.phoenixcontact.com>

Phoenix Contact USA  
586 Fulling Mill Road  
Middletown, PA 17057, United States  
(+717) 944-1300  
[info@phoenixcon.com](mailto:info@phoenixcon.com)