

# HC-EVO-B06-HLFS-EL-AL - Housing



1411448

<https://www.phoenixcontact.com/us/products/1411448>

Please be informed that the data shown in this PDF document is generated from our online catalog. Please find the complete data in the user documentation. Our general terms of use for downloads are valid.



HEAVYCON EVO sleeve housing, EMC version, without powder coating, with bayonet flange for EVO screw connection, B6, for single locking latch, height: 64 mm, without EVO screw connection.

## Your advantages

- Flexible cable outlet direction, lateral or straight

## Commercial data

Item number	1411448
Packing unit	1 pc
Minimum order quantity	1 pc
Sales key	BF57
Product key	AF7APM
GTIN	4046356932462
Weight per piece (including packing)	128 g
Weight per piece (excluding packing)	122.6 g
Customs tariff number	85389099
Country of origin	DE

# HC-EVO-B06-HLFS-EL-AL - Housing



1411448

<https://www.phoenixcontact.com/us/products/1411448>

## Technical data

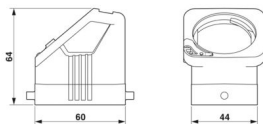
### Notes

General	For contact inserts HC-B6, BB10, DD24, M
---------	--

### Product properties

Product type	Housing with locking latch
Housing type	Sleeve housing
Application	Standard
Type	B6
No. of cable outlets	1
Cable outlet	straight
Pg screw connection	none

### Dimensions

Dimensional drawing	
Width	49 mm
Height	60.5 mm
Length	60 mm

### Material specifications

Housing material	Die-cast aluminum, salt water resistant
Housing surface material	uncoated

### Mechanical properties

#### Mechanical data

Locking type	Pin
--------------	-----

### Mounting

Assembly note	The sleeve base housing must be supplemented with the EVO screw connection. The EVO screw connection is available in 4 sizes. It enables the creation of a straight or a lateral cable outlet. The EVO screw connection is assembled by hand or using a pipe wrench.
---------------	--

### Environmental and real-life conditions

#### Ambient conditions

Degree of protection	IP66
	IP67
	4 (UL 50e)

# HC-EVO-B06-HLFS-EL-AL - Housing



1411448

<https://www.phoenixcontact.com/us/products/1411448>

Enclosure rating (NEMA)	4X (UL 50e)
	12 (UL 50e)
Impact strength	IK08
Ambient temperature (operation)	-40 °C ... 125 °C

# HC-EVO-B06-HLFS-EL-AL - Housing

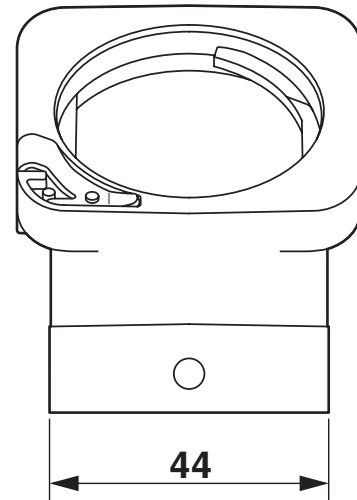
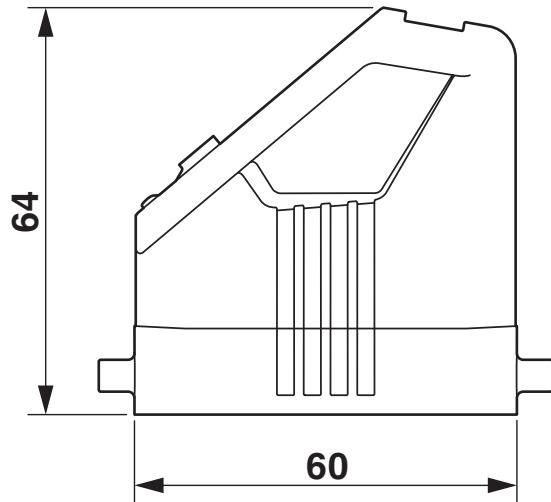


1411448

<https://www.phoenixcontact.com/us/products/1411448>

## Drawings

Dimensional drawing



Dimensional drawing

# HC-EVO-B06-HLFS-EL-AL - Housing



1411448

<https://www.phoenixcontact.com/us/products/1411448>

## Approvals

🔗 To download certificates, visit the product detail page: <https://www.phoenixcontact.com/us/products/1411448>

**DNV**

Approval ID: TAE000037S



**cUL Recognized**

Approval ID: E255026



**UL Recognized**

Approval ID: E255026



**EAC**

Approval ID: RU C-DE.AI30.B.01102

# HC-EVO-B06-HLFS-EL-AL - Housing



1411448

<https://www.phoenixcontact.com/us/products/1411448>

## Classifications

### ECLASS

ECLASS-13.0	27440202
ECLASS-15.0	27440202

### ETIM

ETIM 10.0	EC000437
-----------	----------

### UNSPSC

UNSPSC 21.0	31261500
-------------	----------

# HC-EVO-B06-HLFS-EL-AL - Housing



1411448

<https://www.phoenixcontact.com/us/products/1411448>

## Environmental product compliance

### EU RoHS

Fulfills EU RoHS substance requirements	Yes, No exemptions
---	--------------------

### China RoHS

Environment friendly use period (EFUP)	EFUP-E
	No hazardous substances above the limits

### EU REACH SVHC

REACH candidate substance (CAS No.)	No substance above 0.1 wt%
-------------------------------------	----------------------------

Phoenix Contact 2026 © - all rights reserved  
<https://www.phoenixcontact.com>

Phoenix Contact USA  
586 Fulling Mill Road  
Middletown, PA 17057, United States  
(+717) 944-1300  
[info@phoenixcon.com](mailto:info@phoenixcon.com)