

# HC-B-G-M40-ER-AL - Cable gland



1411445

<https://www.phoenixcontact.com/us/products/1411445>

Please be informed that the data shown in this PDF document is generated from our online catalog. Please find the complete data in the user documentation. Our general terms of use for downloads are valid.

EVO metal cable gland with bayonet locking, B series, size M40, cable diameter: 19 - 27 mm



## Commercial data

Item number	1411445
Packing unit	1 pc
Minimum order quantity	1 pc
Sales key	BF57
Product key	AF7APM
GTIN	4046356932448
Weight per piece (including packing)	138.1 g
Weight per piece (excluding packing)	131 g
Customs tariff number	85389099
Country of origin	DE

# HC-B-G-M40-ER-AL - Cable gland

1411445

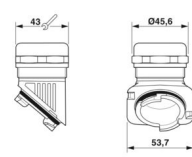
<https://www.phoenixcontact.com/us/products/1411445>

## Technical data

### Product properties

Product type	Cable screw gland
Application	for greater strain relief
No. of conductors	1
Type of the screw connection	M40
Shielded	no

### Dimensions

Dimensional drawing	
Wrench size, union nut	43 mm

### Material specifications

Color	aluminum color
Material Pressure screw	Brass, nickel-plated
Seal material O-ring	NBR
Seal material Cable seal	NBR
Housing material	Die-cast aluminum, corrosion resistant
Material for screw connection	Aluminum

### Cable/line

External cable diameter Cable 1	19 mm ... 27 mm
---------------------------------	-----------------

### Environmental and real-life conditions

#### Ambient conditions

Degree of protection	IP66 IP67
Enclosure rating (NEMA)	4 (UL 50e) 4X (UL 50e) 12 (UL 50e)
Ambient temperature (operation)	-40 °C ... 125 °C (static)

# HC-B-G-M40-ER-AL - Cable gland

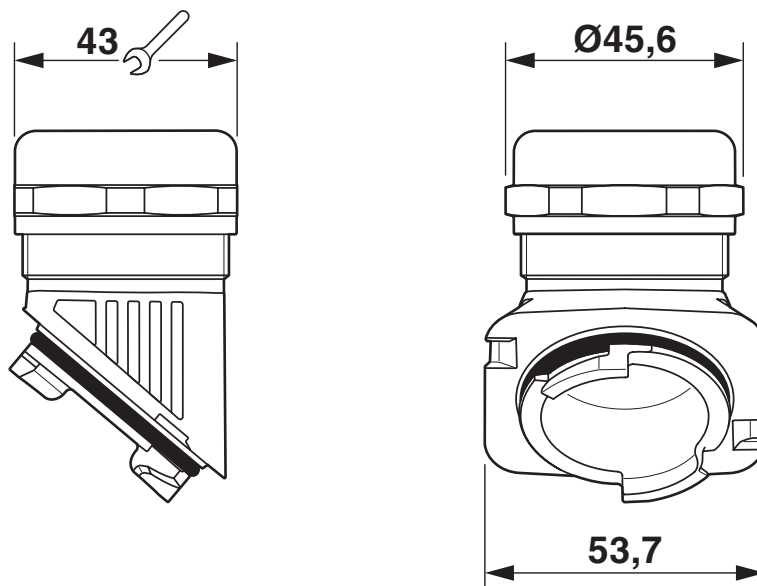
1411445

<https://www.phoenixcontact.com/us/products/1411445>



## Drawings

Dimensional drawing



Dimensional drawing

# HC-B-G-M40-ER-AL - Cable gland



1411445

<https://www.phoenixcontact.com/us/products/1411445>

## Approvals

To download certificates, visit the product detail page: <https://www.phoenixcontact.com/us/products/1411445>

**DNV**

Approval ID: TAE000037S



**cUL Recognized**

Approval ID: E255026



**UL Recognized**

Approval ID: E255026



**EAC**

Approval ID: RU C-DE.AI30.B.01102



**EAC-RoHS**

Approval ID: RU D-DE.HB35.B.00387

# HC-B-G-M40-ER-AL - Cable gland



1411445

<https://www.phoenixcontact.com/us/products/1411445>

## Classifications

### ECLASS

ECLASS-13.0	27140801
ECLASS-15.0	27140801

### ETIM

ETIM 10.0	EC000441
-----------	----------

### UNSPSC

UNSPSC 21.0	39121300
-------------	----------

# HC-B-G-M40-ER-AL - Cable gland



1411445

<https://www.phoenixcontact.com/us/products/1411445>

## Environmental product compliance

### EU RoHS

Fulfills EU RoHS substance requirements	Yes
Exemption	6(c)

### China RoHS

Environment friendly use period (EFUP)	EFUP-50
	An article-related China RoHS declaration table can be found in the download area for the respective article under "Manufacturer declaration". For all articles with EFUP-E, no China RoHS declaration table issued and required.

### EU REACH SVHC

REACH candidate substance (CAS No.)	Lead(CAS: 7439-92-1)
SCIP	e768451d-935b-4a41-83d0-9418bb27127c

### EF3.1 Climate Change

CO2e kg	1.997 kg CO2e
---------	---------------

Phoenix Contact 2026 © - all rights reserved  
<https://www.phoenixcontact.com>

Phoenix Contact USA  
586 Fulling Mill Road  
Middletown, PA 17057, United States  
(+717) 944-1300  
[info@phoenixcon.com](mailto:info@phoenixcon.com)