

HC-EVO-A16UT-BWSC-HH-M25-PLRBK - Connector set



1411359

<https://www.phoenixcontact.com/us/products/1411359>

Please be informed that the data shown in this PDF document is generated from our online catalog. Please find the complete data in the user documentation. Our general terms of use for downloads are valid.



Connector set, number of positions: 16, material: PA, connection method: Screw connection, connection cross section: AWG 20- 14, cable outlet: variable

Commercial data

Item number	1411359
Packing unit	1 pc
Minimum order quantity	1 pc
Sales key	BF63
Product key	AF7AFX
GTIN	4046356929295
Weight per piece (including packing)	349.4 g
Weight per piece (excluding packing)	351 g
Customs tariff number	85366990
Country of origin	CN

HC-EVO-A16UT-BWSC-HH-M25-PLRBK - Connector set



1411359

<https://www.phoenixcontact.com/us/products/1411359>

Set consists of

HC-EVO-D25-HHFS-PL-BK - Housing

1411347

<https://www.phoenixcontact.com/us/products/1411347>



Sleeve housing D25, for single locking latch, material: PA 6.6-FR, cable outlets: 1, straight/lateral, height: 75.5 mm, cable gland: none, protective cover: no, Standard

HC-EVO-D25-BWSC-PLR-BK - Housing

1411345

<https://www.phoenixcontact.com/us/products/1411345>



Panel mounting base D25, with single locking latch, material: PA 6.6-FR, protective cover material: PC, height: 26 mm, cable gland: none, protective cover: yes, Standard, with flat gasket

HC-EVO-A16UT-BWSC-HH-M25-PLRBK - Connector set



1411359

<https://www.phoenixcontact.com/us/products/1411359>

HC-D-G-M25-PLRBK - Cable gland

1411351

<https://www.phoenixcontact.com/us/products/1411351>



EVO plastic cable gland with bayonet locking, for housing series D, size M25, cable diameter: 9 mm ... 17 mm.

HC-A16-I-UT-M - Contact insert

1585317

<https://www.phoenixcontact.com/us/products/1585317>



Contact insert, number of positions: 16+PE, size: D25, number of connections per position: 1, Pin, Screw connection, 250 V, 16 A, 0.5 mm² ... 2.5 mm²

HC-EVO-A16UT-BWSC-HH-M25-PLRBK - Connector set



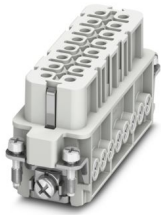
1411359

<https://www.phoenixcontact.com/us/products/1411359>

HC-A16-I-UT-F - Contact insert

1585320

<https://www.phoenixcontact.com/us/products/1585320>



Contact insert, number of positions: 16+PE, size: D25, number of connections per position: 1, Socket, Screw connection, 250 V, 16 A, 0.5 mm² ... 2.5 mm²

HC-EVO-A16UT-BWSC-HH-M25-PLRBK - Connector set

1411359

<https://www.phoenixcontact.com/us/products/1411359>

Technical data

Product properties

Product type	Connector set
Housing type	Complete housing
Series	HC-D
Type	D25
Number of positions	16
Connection profile	16+PE
No. of cable outlets	1
Protective cover	yes
Cable outlet	variable

Insulation characteristics

Overvoltage category	III
Degree of pollution	3

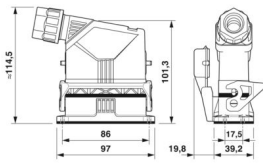
Electrical properties

Rated voltage (III/3)	250 V
Rated surge voltage	4 kV
Rated current	20 A
Nominal voltage U_N	250 V
Nominal current I_N	20 A

Connection data

Connection method	Screw connection
Connection technology	Screw connection
Conductor cross-section	0.5 mm ² ... 2.5 mm ² (applies to stranded conductors with ferrules) 0.5 mm ² ... 2.5 mm ² (applies to stranded conductors with ferrules)
Connection cross section AWG	20 ... 14

Dimensions

Dimensional drawing	
Width	39 mm
Height	114.5 mm
Length	97 mm
Drill hole distance, horizontal	86 mm
Drill hole distance, vertical	17.5 mm

Installation dimensions

HC-EVO-A16UT-BWSC-HH-M25-PLRBK - Connector set



1411359

<https://www.phoenixcontact.com/us/products/1411359>

Width of the assembly cutout	24 mm
Length of the assembly cutout	74 mm

Material specifications

Material Protective cover	PA
Flammability rating according to UL 94	V0
Seal material	NBR
	CR
Housing material	PA
Contact material	Copper alloy
Contact surface material	Ag
Contact carrier material	PC
Locking latch material	PA

Cable/line

External cable diameter	9 mm ... 17 mm
-------------------------	----------------

Mechanical properties

Mechanical data

Locking type	Latch
--------------	-------

Environmental and real-life conditions

Ambient conditions

Degree of protection	IP66
Enclosure rating (NEMA)	12 (UL 50e)
Ambient temperature (operation)	-40 °C ... 100 °C

Mounting

Assembly note	Connectors may only be actuated when there is no load/voltage.
---------------	--

HC-EVO-A16UT-BWSC-HH-M25-PLRBK - Connector set

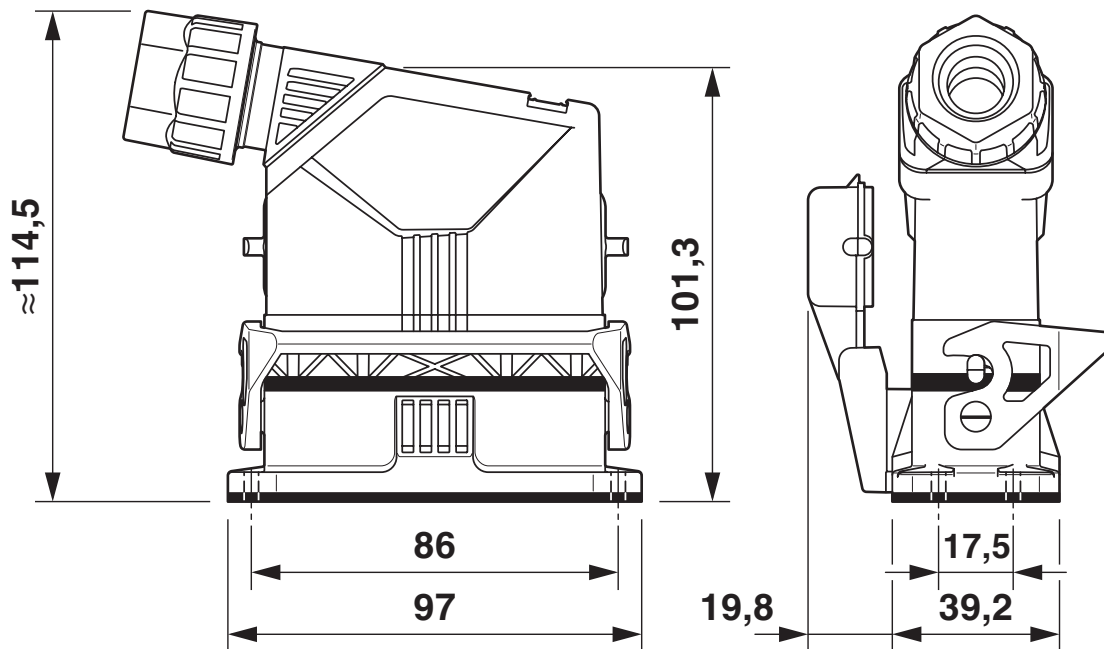


1411359

<https://www.phoenixcontact.com/us/products/1411359>

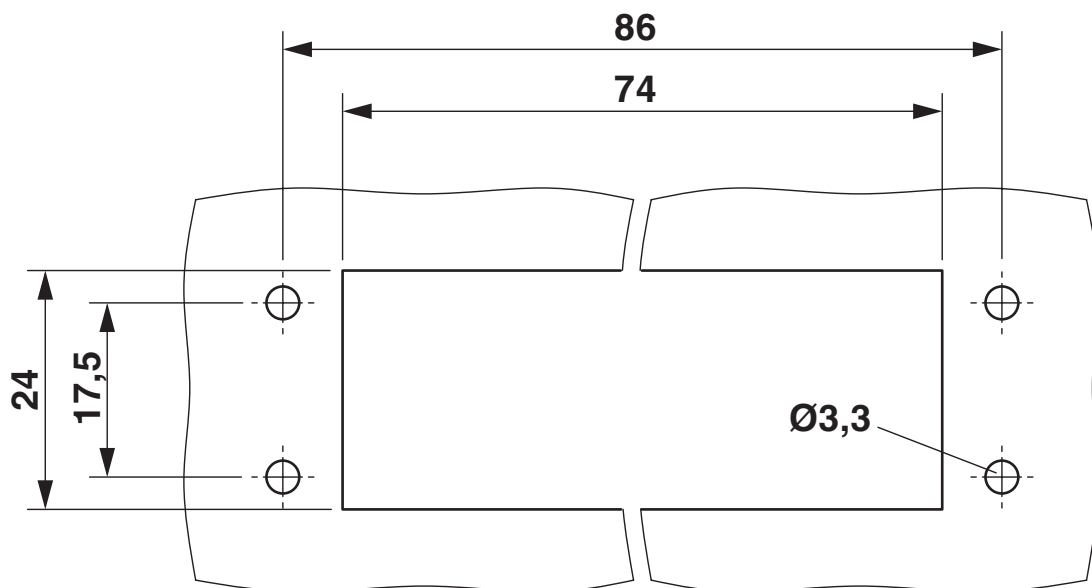
Drawings

Dimensional drawing



Dimensional drawing

Dimensional drawing



Mounting cutout

HC-EVO-A16UT-BWSC-HH-M25-PLRBK - Connector set



1411359

<https://www.phoenixcontact.com/us/products/1411359>

Schematic diagram



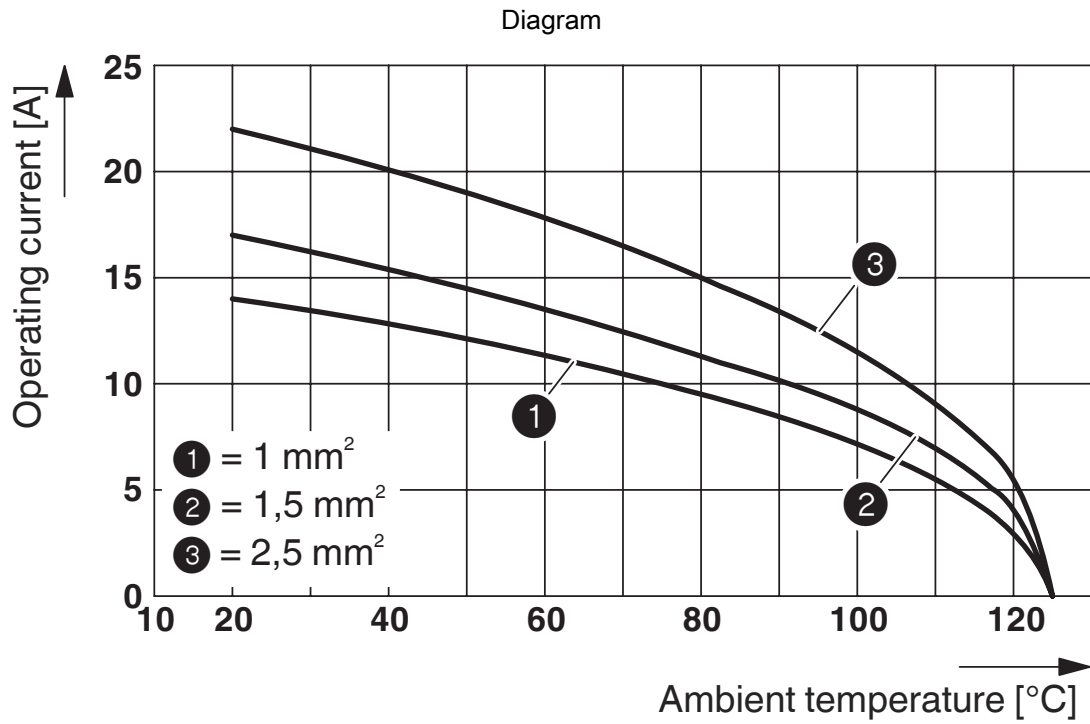
Pin assignment, connection side, pin left, socket right

HC-EVO-A16UT-BWSC-HH-M25-PLRBK - Connector set



1411359

<https://www.phoenixcontact.com/us/products/1411359>



Derating diagram

HC-EVO-A16UT-BWSC-HH-M25-PLRBK - Connector set



1411359

<https://www.phoenixcontact.com/us/products/1411359>

Approvals

🔗 To download certificates, visit the product detail page: <https://www.phoenixcontact.com/us/products/1411359>

DNV

Approval ID: TAE000037S



EAC

Approval ID: RU C-DE.AI30.B.01102

HC-EVO-A16UT-BWSC-HH-M25-PLRBK - Connector set



1411359

<https://www.phoenixcontact.com/us/products/1411359>

Classifications

ECLASS

ECLASS-13.0	27440113
ECLASS-15.0	27440113

ETIM

ETIM 10.0	EC002636
-----------	----------

UNSPSC

UNSPSC 21.0	39121400
-------------	----------

HC-EVO-A16UT-BWSC-HH-M25-PLRBK - Connector set



1411359

<https://www.phoenixcontact.com/us/products/1411359>

Environmental product compliance

EU RoHS

Fulfills EU RoHS substance requirements	Yes
Exemption	6(c)

China RoHS

Environment friendly use period (EFUP)	EFUP-50
	An article-related China RoHS declaration table can be found in the download area for the respective article under "Manufacturer declaration". For all articles with EFUP-E, no China RoHS declaration table issued and required.

EU REACH SVHC

REACH candidate substance (CAS No.)	Lead(CAS: 7439-92-1)
SCIP	b7438fa5-9c04-49d1-b1e3-b314dff2bcb

Phoenix Contact 2026 © - all rights reserved
<https://www.phoenixcontact.com>

Phoenix Contact USA
586 Fulling Mill Road
Middletown, PA 17057, United States
(+717) 944-1300
info@phoenixcon.com