

HC-D-TA-M25-PLRBK - Adapter

1411352

<https://www.phoenixcontact.com/us/products/1411352>

Please be informed that the data shown in this PDF document is generated from our online catalog. Please find the complete data in the user documentation. Our general terms of use for downloads are valid.

Plastic thread adapter with bayonet lock, for EVO housing series D, for M25 screw connections.



Commercial data

Item number	1411352
Packing unit	1 pc
Minimum order quantity	1 pc
Sales key	BF57
Product key	AF7APN
GTIN	4046356929233
Weight per piece (including packing)	16.5 g
Weight per piece (excluding packing)	16 g
Customs tariff number	85389099
Country of origin	PL

HC-D-TA-M25-PLRBK - Adapter

1411352

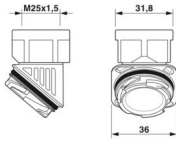
<https://www.phoenixcontact.com/us/products/1411352>

Technical data

Product properties

Product type	Thread adapter
Type of the screw connection	M25

Dimensions

Dimensional drawing	
Thread type on seal side	M25

Internal dimensions

Length of internal thread	11 mm
---------------------------	-------

Material specifications

Flammability rating according to UL 94	V2
Seal material O-ring	NBR
Housing material	PA

Mechanical properties

Mechanical data

Type of the screw connection	M25
------------------------------	-----

Environmental and real-life conditions

Ambient conditions

Degree of protection	IP66
Ambient temperature (operation)	-40 °C ... 125 °C

Mounting

Assembly note	Bayonet locking max. 3x can be removed
	The plastic thread adapter does not establish an electrical connection between the cable gland and connector housing. For this reason, only plastic cable protection systems or plastic cable glands may be used.

HC-D-TA-M25-PLRBK - Adapter

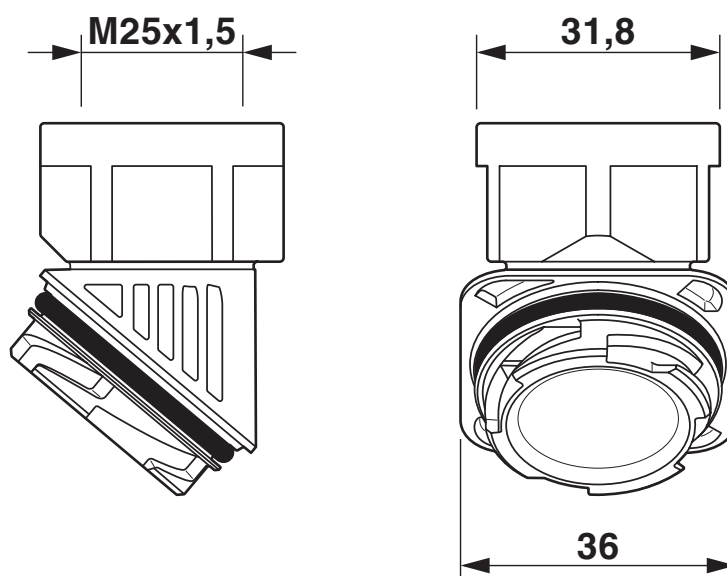
1411352

<https://www.phoenixcontact.com/us/products/1411352>



Drawings

Dimensional drawing



Dimensional drawing

HC-D-TA-M25-PLRBK - Adapter



1411352

<https://www.phoenixcontact.com/us/products/1411352>

Classifications

ECLASS

ECLASS-13.0	27440192
ECLASS-15.0	27440192

ETIM

ETIM 10.0	EC002943
-----------	----------

UNSPSC

UNSPSC 21.0	39121400
-------------	----------

HC-D-TA-M25-PLRBK - Adapter



1411352

<https://www.phoenixcontact.com/us/products/1411352>

Environmental product compliance

EU RoHS

Fulfills EU RoHS substance requirements	Yes, No exemptions
---	--------------------

China RoHS

Environment friendly use period (EFUP)	EFUP-E
	No hazardous substances above the limits

EU REACH SVHC

REACH candidate substance (CAS No.)	No substance above 0.1 wt%
-------------------------------------	----------------------------

EF3.1 Climate Change

CO2e kg	0.274 kg CO2e
---------	---------------

Phoenix Contact 2026 © - all rights reserved
<https://www.phoenixcontact.com>

Phoenix Contact USA
586 Fulling Mill Road
Middletown, PA 17057, United States
(+717) 944-1300
info@phoenixcon.com