

HC-EVO-D25-SLWS-2SSM25-PLR-BK - Housing



1411348

<https://www.phoenixcontact.com/us/products/1411348>

Please be informed that the data shown in this PDF document is generated from our online catalog. Please find the complete data in the user documentation. Our general terms of use for downloads are valid.



Surface mounting housing D25, with single locking latch, material: PA 6.6-FR, cable outlets: 2, lateral, 2x M25, height: 57 mm, cable gland: none, Standard

Your advantages

- Flexible cable outlet direction, lateral or straight
- Lower costs than metal version
- Low weight
- Lower risk of condensation

Commercial data

Item number	1411348
Packing unit	1 pc
Minimum order quantity	1 pc
Sales key	BF57
Product key	AF7APN
GTIN	4046356929189
Weight per piece (including packing)	95.2 g
Weight per piece (excluding packing)	96 g
Customs tariff number	85389099
Country of origin	PL

HC-EVO-D25-SLWS-2SSM25-PLR-BK - Housing



1411348

<https://www.phoenixcontact.com/us/products/1411348>

Technical data

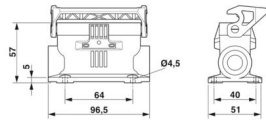
Notes

General	For contact inserts HC-D25, A16
---------	---------------------------------

Product properties

Product type	Housing with locking latch
Housing type	Surface mounting housing
Product family	HC-EVO-D
Application	Standard
Type	D25
No. of cable outlets	2
Type of the screw connection	2x M25
Cable outlet	lateral
Pg screw connection	none

Dimensions

Dimensional drawing	
Width	51 mm
Height	57 mm
Length	96.5 mm
Hole diameter	4.5 mm

Material specifications

Flammability rating according to UL 94	V0 (Housing)
	V0 (Interlock)
Housing material	PA 6.6-FR
Locking latch material	PA

Mechanical properties

Mechanical data

Type of the screw connection	2x M25
Locking type	Latch

Connection data

Tightening torque	0.8 Nm ... 1.2 Nm (for M4 mounting screws on the surface-mount housing)
-------------------	---

Mounting

Assembly note	One of the two openings for the screw connections is sealed but
---------------	---

HC-EVO-D25-SLWS-2SSM25-PLR-BK - Housing



1411348

<https://www.phoenixcontact.com/us/products/1411348>

can be broken open using a screwdriver.

Environmental and real-life conditions

Ambient conditions

Degree of protection	IP66
Enclosure rating (NEMA)	12 (UL 50e)
Impact strength	IK08
Ambient temperature (operation)	-40 °C ... 125 °C

HC-EVO-D25-SLWS-2SSM25-PLR-BK - Housing

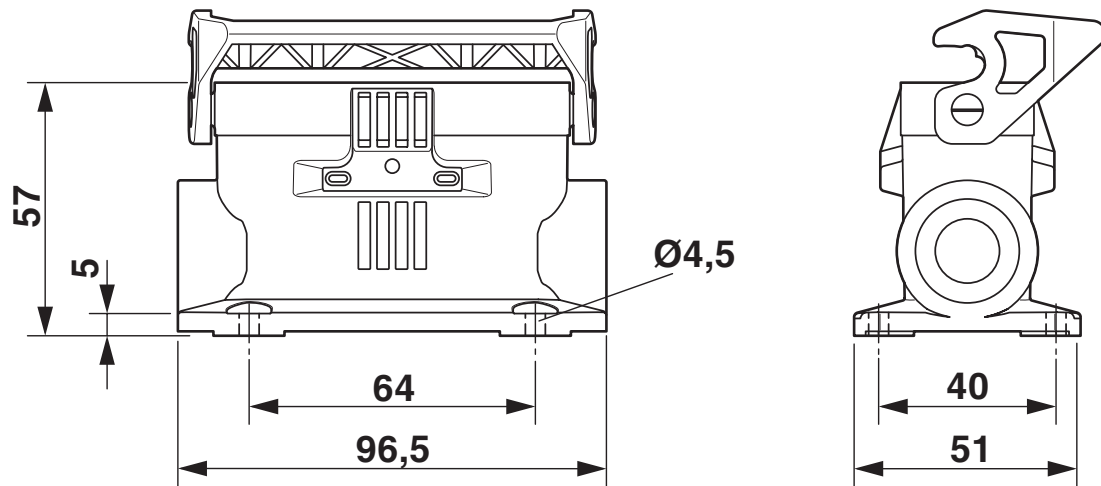


1411348

<https://www.phoenixcontact.com/us/products/1411348>

Drawings

Dimensional drawing



Dimensional drawing

HC-EVO-D25-SLWS-2SSM25-PLR-BK - Housing



1411348

<https://www.phoenixcontact.com/us/products/1411348>

Approvals

🔗 To download certificates, visit the product detail page: <https://www.phoenixcontact.com/us/products/1411348>

DNV

Approval ID: TAE000037S

1411348

<https://www.phoenixcontact.com/us/products/1411348>

Classifications

ECLASS

ECLASS-13.0	27440202
ECLASS-15.0	27440202

ETIM

ETIM 10.0	EC000437
-----------	----------

UNSPSC

UNSPSC 21.0	31261500
-------------	----------

1411348

<https://www.phoenixcontact.com/us/products/1411348>

Environmental product compliance

EU RoHS

Fulfills EU RoHS substance requirements	Yes, No exemptions
---	--------------------

China RoHS

Environment friendly use period (EFUP)	EFUP-E
	No hazardous substances above the limits

EU REACH SVHC

REACH candidate substance (CAS No.)	No substance above 0.1 wt%
-------------------------------------	----------------------------

EF3.1 Climate Change

CO2e kg	0.834 kg CO2e
---------	---------------

Phoenix Contact 2026 © - all rights reserved
<https://www.phoenixcontact.com>

Phoenix Contact USA
586 Fulling Mill Road
Middletown, PA 17057, United States
(+717) 944-1300
info@phoenixcon.com