

HC-EVO-D25-HHFS-PL-BK - Housing



1411347

<https://www.phoenixcontact.com/us/products/1411347>

Please be informed that the data shown in this PDF document is generated from our online catalog. Please find the complete data in the user documentation. Our general terms of use for downloads are valid.



Sleeve housing D25, for single locking latch, material: PA 6.6-FR, cable outlets: 1, straight/lateral, height: 75.5 mm, cable gland: none, protective cover: no, Standard

Your advantages

- Flexible cable outlet direction, lateral or straight
- Lower costs than metal version
- Low weight
- Lower risk of condensation

Commercial data

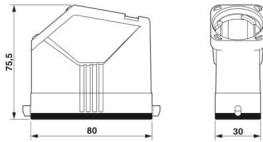
Item number	1411347
Packing unit	1 pc
Minimum order quantity	1 pc
Sales key	BF57
Product key	AF7APN
GTIN	4046356929172
Weight per piece (including packing)	70 g
Weight per piece (excluding packing)	69.2 g
Customs tariff number	85389099
Country of origin	PL

Technical data

Product properties

Product type	Housing with locking latch
Housing type	Sleeve housing
Product family	HC-EVO-D
Application	Standard
Type	D25
No. of cable outlets	1
Protective cover	no
Shielded	no
Cable outlet	straight
Pg screw connection	none

Dimensions

Dimensional drawing	
Width	30 mm
Height	75.5 mm
Length	80 mm

Material specifications

Flammability rating according to UL 94	V0 (Housing)
Seal material	NBR
Housing material	PA 6.6-FR

Mechanical properties

Mechanical data

Locking type	Pin
--------------	-----

Mounting

Assembly note	The sleeve base housing must be supplemented with the EVO screw connection. The EVO screw connection is available in 2 sizes. It enables the creation of a straight or lateral cable outlet. The EVO screw connection is mounted by hand or with the aid of a pipe wrench, for example.
---------------	---

Environmental and real-life conditions

Ambient conditions

Degree of protection	IP66
Enclosure rating (NEMA)	12 (UL 50e)

HC-EVO-D25-HHFS-PL-BK - Housing



1411347

<https://www.phoenixcontact.com/us/products/1411347>

Impact strength	IK08
Ambient temperature (operation)	-40 °C ... 125 °C

HC-EVO-D25-HHFS-PL-BK - Housing

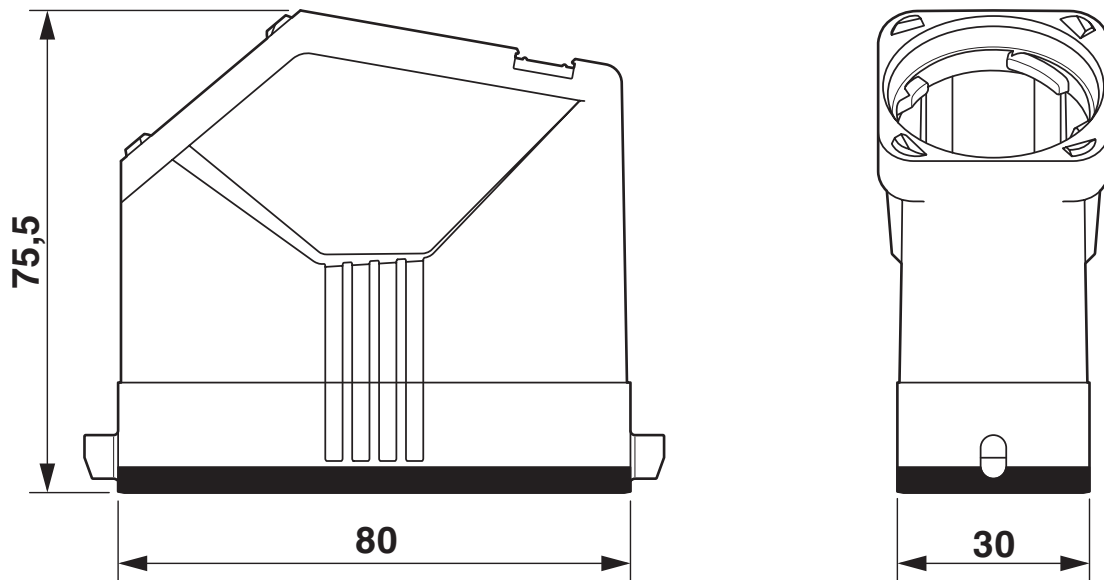
1411347

<https://www.phoenixcontact.com/us/products/1411347>



Drawings

Dimensional drawing



Dimensional drawing

HC-EVO-D25-HHFS-PL-BK - Housing



1411347

<https://www.phoenixcontact.com/us/products/1411347>

Approvals

🔗 To download certificates, visit the product detail page: <https://www.phoenixcontact.com/us/products/1411347>

DNV

Approval ID: TAE000037S

HC-EVO-D25-HHFS-PL-BK - Housing



1411347

<https://www.phoenixcontact.com/us/products/1411347>

Classifications

ECLASS

ECLASS-13.0	27440202
ECLASS-15.0	27440202

ETIM

ETIM 10.0	EC000437
-----------	----------

UNSPSC

UNSPSC 21.0	31261500
-------------	----------

HC-EVO-D25-HHFS-PL-BK - Housing



1411347

<https://www.phoenixcontact.com/us/products/1411347>

Environmental product compliance

EU RoHS

Fulfills EU RoHS substance requirements	Yes, No exemptions
---	--------------------

China RoHS

Environment friendly use period (EFUP)	EFUP-E
	No hazardous substances above the limits

EU REACH SVHC

REACH candidate substance (CAS No.)	No substance above 0.1 wt%
-------------------------------------	----------------------------

EF3.1 Climate Change

CO2e kg	0.792 kg CO2e
---------	---------------

Phoenix Contact 2026 © - all rights reserved
<https://www.phoenixcontact.com>

Phoenix Contact USA
586 Fulling Mill Road
Middletown, PA 17057, United States
(+717) 944-1300
info@phoenixcon.com