

# HC-EVO-D15-HHFS-PL-BK - Housing



1411340

<https://www.phoenixcontact.com/us/products/1411340>

Please be informed that the data shown in this PDF document is generated from our online catalog. Please find the complete data in the user documentation. Our general terms of use for downloads are valid.



Sleeve housing D15, for single locking latch, material: PA 6.6-FR, cable outlets: 1, straight/lateral, height: 65.5 mm, cable gland: none, Standard

## Your advantages

- Flexible cable outlet direction, lateral or straight
- Lower costs than metal version
- Low weight
- Lower risk of condensation

## Commercial data

Item number	1411340
Packing unit	1 pc
Minimum order quantity	1 pc
Sales key	BF57
Product key	AF7APN
GTIN	4046356929110
Weight per piece (including packing)	51.7 g
Weight per piece (excluding packing)	46 g
Customs tariff number	85389099
Country of origin	PL

1411340

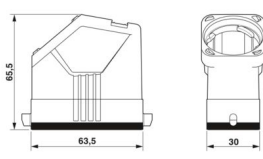
<https://www.phoenixcontact.com/us/products/1411340>

## Technical data

### Product properties

Product type	Housing with locking latch
Housing type	Sleeve housing
Product family	HC-EVO-D
Application	Standard
Type	D15
No. of cable outlets	1
Cable outlet	straight
Pg screw connection	none

### Dimensions

Dimensional drawing	
Width	30 mm
Height	65.5 mm
Length	63.5 mm

### Material specifications

Flammability rating according to UL 94	V0 (Housing)
Seal material	NBR
Housing material	PA 6.6-FR

### Mechanical properties

#### Mechanical data

Locking type	Pin
--------------	-----

### Mounting

Assembly note	The sleeve base housing must be supplemented with the EVO screw connection. The EVO screw connection is available in 4 sizes. It enables the creation of a straight or lateral cable outlet. The EVO screw connection is mounted by hand or with the aid of a pipe wrench, for example.
---------------	---

### Environmental and real-life conditions

#### Ambient conditions

Degree of protection	IP66
Enclosure rating (NEMA)	12 (UL 50e)
Impact strength	IK08
Ambient temperature (operation)	-40 °C ... 125 °C

# HC-EVO-D15-HHFS-PL-BK - Housing

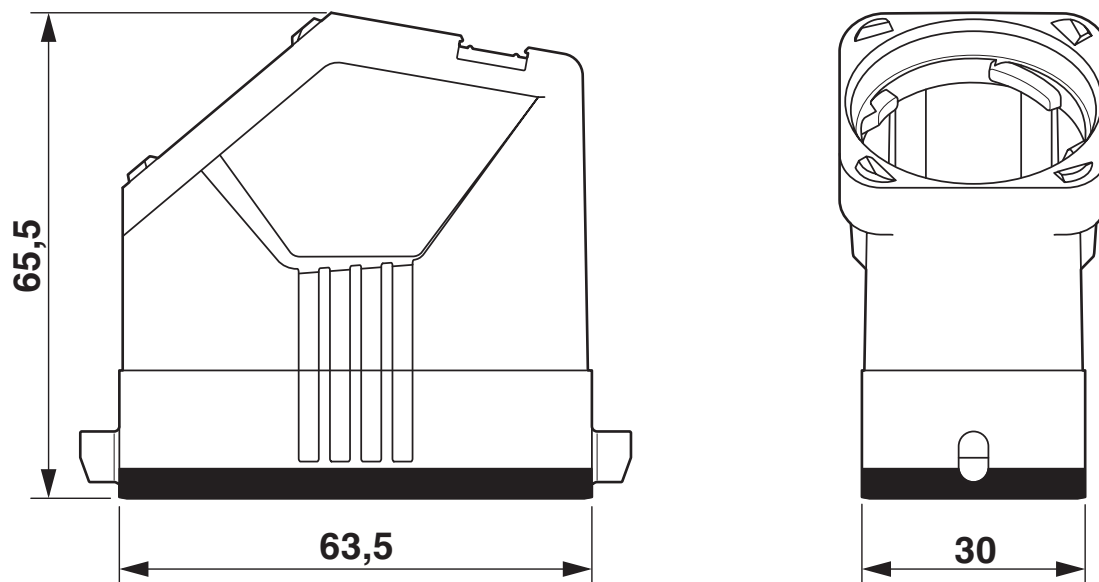
1411340

<https://www.phoenixcontact.com/us/products/1411340>



## Drawings

Dimensional drawing



Dimensional drawing

# HC-EVO-D15-HHFS-PL-BK - Housing



1411340

<https://www.phoenixcontact.com/us/products/1411340>

## Approvals

🔗 To download certificates, visit the product detail page: <https://www.phoenixcontact.com/us/products/1411340>

**DNV**

Approval ID: TAE000037S

# HC-EVO-D15-HHFS-PL-BK - Housing



1411340

<https://www.phoenixcontact.com/us/products/1411340>

## Classifications

### ECLASS

ECLASS-13.0	27440202
ECLASS-15.0	27440202

### ETIM

ETIM 10.0	EC000437
-----------	----------

### UNSPSC

UNSPSC 21.0	31261500
-------------	----------

1411340

<https://www.phoenixcontact.com/us/products/1411340>

## Environmental product compliance

### EU RoHS

Fulfills EU RoHS substance requirements	Yes, No exemptions
---	--------------------

### China RoHS

Environment friendly use period (EFUP)	EFUP-E
	No hazardous substances above the limits

### EU REACH SVHC

REACH candidate substance (CAS No.)	No substance above 0.1 wt%
-------------------------------------	----------------------------

### EF3.1 Climate Change

CO2e kg	0.688 kg CO2e
---------	---------------

Phoenix Contact 2026 © - all rights reserved  
<https://www.phoenixcontact.com>

Phoenix Contact USA  
586 Fulling Mill Road  
Middletown, PA 17057, United States  
(+717) 944-1300  
[info@phoenixcon.com](mailto:info@phoenixcon.com)