

# HC-EVO-D15-BWSC-PLR-BK - Housing



1411337

<https://www.phoenixcontact.com/us/products/1411337>

Please be informed that the data shown in this PDF document is generated from our online catalog. Please find the complete data in the user documentation. Our general terms of use for downloads are valid.



Panel mounting base D15, with single locking latch, material: PA 6.6-FR, protective cover material: PC, height: 26 mm, cable gland: none, protective cover: yes, Standard, with flat gasket

## Your advantages

- Lower costs than metal version
- Low weight
- Lower risk of condensation

## Commercial data

Item number	1411337
Packing unit	1 pc
Minimum order quantity	1 pc
Sales key	BF57
Product key	AF7APN
GTIN	4046356929097
Weight per piece (including packing)	71 g
Weight per piece (excluding packing)	70.4 g
Customs tariff number	85389099
Country of origin	PL

1411337

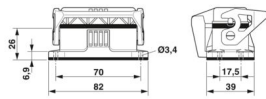
<https://www.phoenixcontact.com/us/products/1411337>

## Technical data

### Product properties

Product type	Housing with locking latch
Housing type	Panel mounting base
Product family	HC-EVO-D
Application	Standard
Type	D15
Protective cover	yes
Pg screw connection	none

### Dimensions

Dimensional drawing	
Width	39 mm
Height	26 mm
Length	82 mm
Drill hole distance, horizontal	70 mm
Drill hole distance, vertical	17.5 mm
Hole diameter	3.3 mm

### Installation dimensions

Width of the assembly cutout	24 mm
Length of the assembly cutout	58 mm

### Material specifications

Flammability rating according to UL 94	V0 (Housing)
	V0 (Interlock)
	V0 (Protective cover)
Seal material	NBR
Housing material	PA 6.6-FR
Material, protective cover	PC
Locking latch material	PA

### Mechanical properties

#### Mechanical data

Locking type	Latch
--------------	-------

### Connection data

Tightening torque	0.5 Nm ... 0.8 Nm (For M3 mounting screws on the panel-mount base)
-------------------	--

1411337

<https://www.phoenixcontact.com/us/products/1411337>

## Environmental and real-life conditions

### Ambient conditions

Degree of protection	IP66 (when plugged in or with locked protective cover)
Enclosure rating (NEMA)	12 (UL 50e)
Impact strength	IK08
Ambient temperature (operation)	-40 °C ... 125 °C

# HC-EVO-D15-BWSC-PLR-BK - Housing

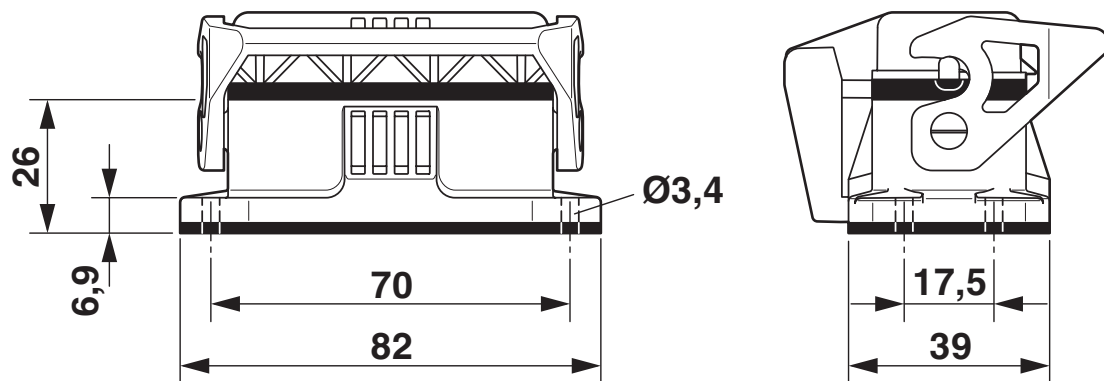


1411337

<https://www.phoenixcontact.com/us/products/1411337>

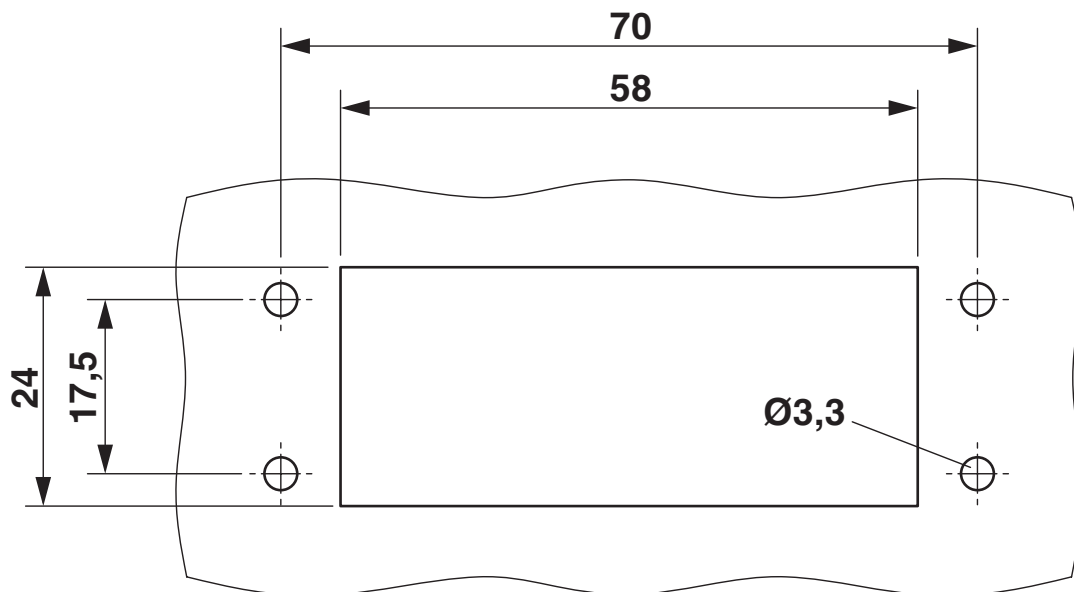
## Drawings

Dimensional drawing



Dimensional drawing

Dimensional drawing



Mounting cutout

# HC-EVO-D15-BWSC-PLR-BK - Housing



1411337

<https://www.phoenixcontact.com/us/products/1411337>

## Approvals

🔗 To download certificates, visit the product detail page: <https://www.phoenixcontact.com/us/products/1411337>

**DNV**

Approval ID: TAE000037S

1411337

<https://www.phoenixcontact.com/us/products/1411337>

## Classifications

### ECLASS

ECLASS-13.0	27440202
ECLASS-15.0	27440202

### ETIM

ETIM 10.0	EC000437
-----------	----------

### UNSPSC

UNSPSC 21.0	31261500
-------------	----------

1411337

<https://www.phoenixcontact.com/us/products/1411337>

## Environmental product compliance

### EU RoHS

Fulfills EU RoHS substance requirements	Yes, No exemptions
---	--------------------

### China RoHS

Environment friendly use period (EFUP)	EFUP-E
	No hazardous substances above the limits

### EU REACH SVHC

REACH candidate substance (CAS No.)	No substance above 0.1 wt%
-------------------------------------	----------------------------

### EF3.1 Climate Change

CO2e kg	1.157 kg CO2e
---------	---------------

Phoenix Contact 2026 © - all rights reserved  
<https://www.phoenixcontact.com>

Phoenix Contact USA  
586 Fulling Mill Road  
Middletown, PA 17057, United States  
(+717) 944-1300  
[info@phoenixcon.com](mailto:info@phoenixcon.com)