

HC-STA-B16-BWS-ELC-AL - Housing



1411324

<https://www.phoenixcontact.com/us/products/1411324>

Please be informed that the data shown in this PDF document is generated from our online catalog. Please find the complete data in the user documentation. Our general terms of use for downloads are valid.



Panel mounting base B16, with single locking latch, material: Die-cast aluminum, salt water resistant, height: 30.5 mm, cable gland: none, Standard, with flat gasket

Your advantages

- Good shielding in the event of electromagnetic interference

Commercial data

Item number	1411324
Packing unit	1 pc
Minimum order quantity	1 pc
Sales key	BF56
Product key	AF7APB
GTIN	4046356927253
Weight per piece (including packing)	118 g
Weight per piece (excluding packing)	115 g
Customs tariff number	85389099
Country of origin	CN

HC-STA-B16-BWS-ELC-AL - Housing

1411324

<https://www.phoenixcontact.com/us/products/1411324>

Technical data

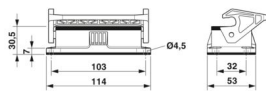
Notes

General	For contact inserts HC-B16, BB32, D40, DD72, HS6, M, K
General	also available as a powder-coated or color version: 1373287 HC-STA-B16-BWS-EL/.../...

Product properties

Product type	Housing with locking latch
Housing type	Panel mounting base
Application	Standard
Type	B16
Pg screw connection	none

Dimensions

Dimensional drawing	
Width	53 mm
Height	30.5 mm
Length	114 mm
Drill hole distance, horizontal	103 mm
Drill hole distance, vertical	32 mm
Hole diameter	4.5 mm

Installation dimensions

Width of the assembly cutout	35 mm
Length of the assembly cutout	86 mm

Material specifications

Flammability rating according to UL 94	V0 (Interlock)
Seal material	NBR, conductive NBR, conductive
Housing material	Die-cast aluminum, salt water resistant
Housing surface material	uncoated
Locking latch material	PA

Mechanical properties

Mechanical data

Locking type	Latch
--------------	-------

Connection data

Tightening torque	0.8 Nm ... 1.2 Nm (For M4 mounting screws on the panel-mount)
-------------------	---

HC-STA-B16-BWS-ELC-AL - Housing



1411324

<https://www.phoenixcontact.com/us/products/1411324>

base)

Environmental and real-life conditions

Ambient conditions

Degree of protection	IP66
	IP67
Enclosure rating (NEMA)	4 (UL 50e)
	4X (UL 50e)
	12 (UL 50e)
Impact strength	IK08
Ambient temperature (operation)	-40 °C ... 125 °C

HC-STA-B16-BWS-ELC-AL - Housing

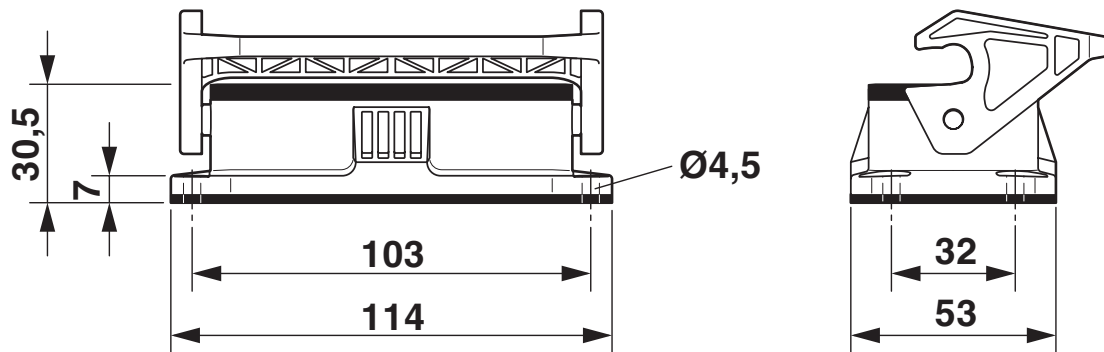


1411324

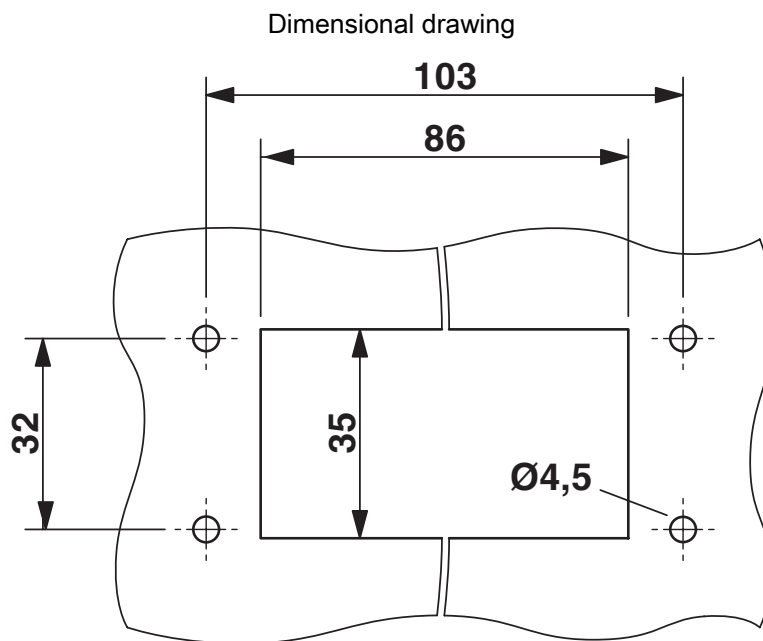
<https://www.phoenixcontact.com/us/products/1411324>

Drawings

Dimensional drawing



Dimensional drawing



Mounting cutout

1411324

<https://www.phoenixcontact.com/us/products/1411324>

Approvals

To download certificates, visit the product detail page: <https://www.phoenixcontact.com/us/products/1411324>

DNV

Approval ID: TAE000037S



cUL Recognized

Approval ID: E255026



UL Recognized

Approval ID: E255026



EAC

Approval ID: RU C-DE.AI30.B.01102



EAC

Approval ID: RU C-DE.AI30.B.01102



UL Recognized

Approval ID: E255026



cUL Recognized

Approval ID: E255026

DNV

Approval ID: TAE000037S



EAC

Approval ID: RU C-DE.AI30.B.01102



cUL Recognized

Approval ID: E255026



UL Recognized

Approval ID: E255026

HC-STA-B16-BWS-ELC-AL - Housing



1411324

<https://www.phoenixcontact.com/us/products/1411324>

DNV

Approval ID: TAE000037S

HC-STA-B16-BWS-ELC-AL - Housing



1411324

<https://www.phoenixcontact.com/us/products/1411324>

Classifications

ECLASS

ECLASS-13.0	27440202
ECLASS-15.0	27440202

ETIM

ETIM 10.0	EC000437
-----------	----------

UNSPSC

UNSPSC 21.0	31261500
-------------	----------

1411324

<https://www.phoenixcontact.com/us/products/1411324>

Environmental product compliance

EU RoHS

Fulfills EU RoHS substance requirements	Yes, No exemptions
---	--------------------

China RoHS

Environment friendly use period (EFUP)	EFUP-E
	No hazardous substances above the limits

EU REACH SVHC

REACH candidate substance (CAS No.)	No substance above 0.1 wt%
-------------------------------------	----------------------------

Phoenix Contact 2026 © - all rights reserved
<https://www.phoenixcontact.com>

Phoenix Contact USA
586 Fulling Mill Road
Middletown, PA 17057, United States
(+717) 944-1300
info@phoenixcon.com