

HC-STA-B10-BFDC-ELC-AL - Housing



1411323

<https://www.phoenixcontact.com/us/products/1411323>

Please be informed that the data shown in this PDF document is generated from our online catalog. Please find the complete data in the user documentation. Our general terms of use for downloads are valid.



Panel mounting base B10, for double locking latch, material: Die-cast aluminum, salt water resistant, protective cover material: PC, height: 30.5 mm, cable gland: none, protective cover: yes, Standard, with flat gasket

Your advantages

- Good shielding in the event of electromagnetic interference

Commercial data

Item number	1411323
Packing unit	1 pc
Minimum order quantity	1 pc
Sales key	BF56
Product key	AF7APB
GTIN	4046356927246
Weight per piece (including packing)	110.8 g
Weight per piece (excluding packing)	110 g
Customs tariff number	85389099
Country of origin	CN

Technical data

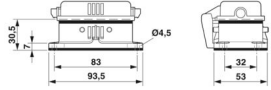
Notes

General	For contact inserts HC-B10, BB18, DD42, M, K8/24
---------	--

Product properties

Product type	Housing with locking latch
Housing type	Panel mounting base
Application	Standard
Type	B10
Protective cover	yes
Pg screw connection	none

Dimensions

Dimensional drawing	
Width	53 mm
Height	30.5 mm
Length	93.5 mm
Drill hole distance, horizontal	83 mm
Drill hole distance, vertical	32 mm
Hole diameter	4.5 mm

Installation dimensions

Width of the assembly cutout	35 mm
Length of the assembly cutout	65 mm

Material specifications

Flammability rating according to UL 94	V0 (Protective cover)
Seal material	NBR, conductive NBR, conductive
Housing material	Die-cast aluminum, salt water resistant
Housing surface material	uncoated
Material, protective cover	PC

Mechanical properties

Mechanical data

Locking type	Pin
--------------	-----

Connection data

Tightening torque	0.8 Nm ... 1.2 Nm (For M4 mounting screws on the panel-mount base)
-------------------	--

1411323

<https://www.phoenixcontact.com/us/products/1411323>

Environmental and real-life conditions

Ambient conditions

Degree of protection	IP66 (when plugged in)
	IP67 (when plugged in)
	IP54 (with closed protective cover)
Impact strength	IK09
Ambient temperature (operation)	-40 °C ... 125 °C

HC-STA-B10-BFDC-ELC-AL - Housing

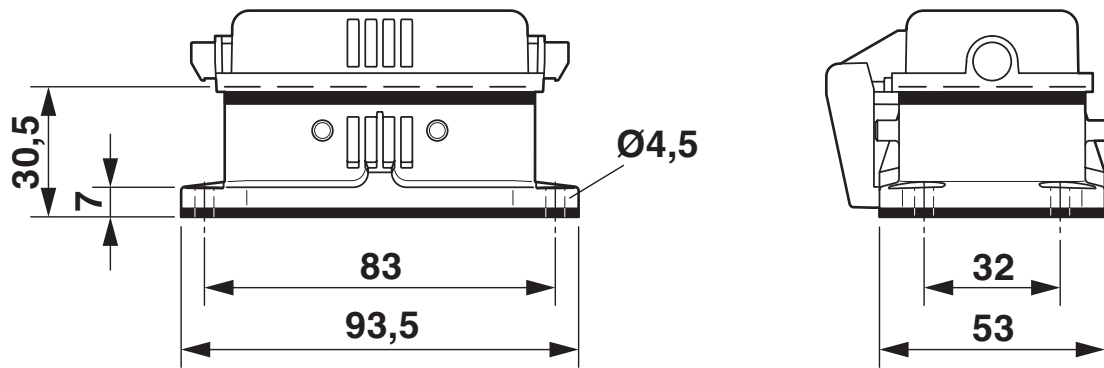


1411323

<https://www.phoenixcontact.com/us/products/1411323>

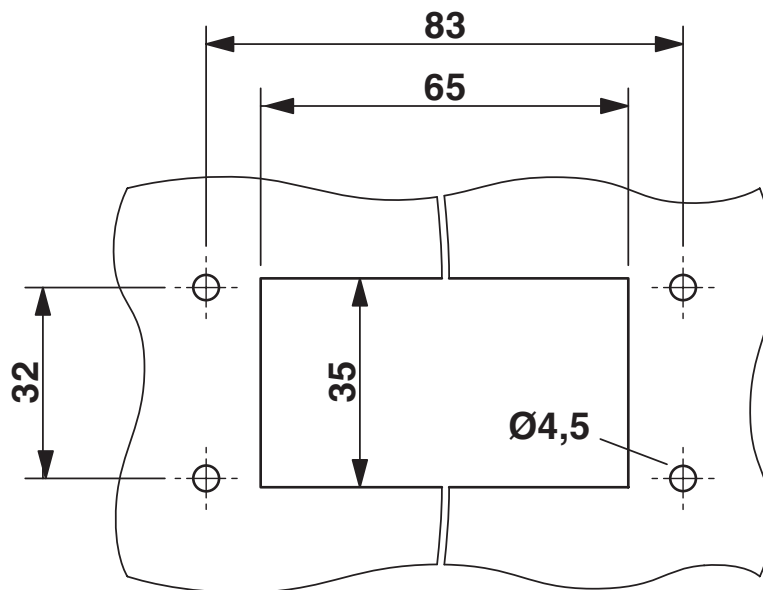
Drawings

Dimensional drawing



Dimensional drawing

Dimensional drawing



Mounting cutout

HC-STA-B10-BFDC-ELC-AL - Housing



1411323

<https://www.phoenixcontact.com/us/products/1411323>

Approvals

🔗 To download certificates, visit the product detail page: <https://www.phoenixcontact.com/us/products/1411323>

DNV

Approval ID: TAE000037S



EAC

Approval ID: RU C-DE.AI30.B.01102

HC-STA-B10-BFDC-ELC-AL - Housing



1411323

<https://www.phoenixcontact.com/us/products/1411323>

Classifications

ECLASS

ECLASS-13.0	27440202
ECLASS-15.0	27440202

ETIM

ETIM 10.0	EC000437
-----------	----------

UNSPSC

UNSPSC 21.0	31261500
-------------	----------

HC-STA-B10-BFDC-ELC-AL - Housing



1411323

<https://www.phoenixcontact.com/us/products/1411323>

Environmental product compliance

EU RoHS

Fulfills EU RoHS substance requirements	Yes, No exemptions
---	--------------------

China RoHS

Environment friendly use period (EFUP)	EFUP-E
	No hazardous substances above the limits

EU REACH SVHC

REACH candidate substance (CAS No.)	No substance above 0.1 wt%
-------------------------------------	----------------------------

Phoenix Contact 2026 © - all rights reserved
<https://www.phoenixcontact.com>

Phoenix Contact USA
586 Fulling Mill Road
Middletown, PA 17057, United States
(+717) 944-1300
info@phoenixcon.com