

HC-STA-B10-BWS-ELC-AL - Housing



1411320

<https://www.phoenixcontact.com/us/products/1411320>

Please be informed that the data shown in this PDF document is generated from our online catalog. Please find the complete data in the user documentation. Our general terms of use for downloads are valid.



HEAVYCON panel mounting base, B10, with single locking latch, with flat gasket, salt-water-resistant aluminum, conductive profile gasket

Your advantages

- Good shielding in the event of electromagnetic interference

Commercial data

| | |
|--------------------------------------|---------------|
| Item number | 1411320 |
| Packing unit | 1 pc |
| Minimum order quantity | 1 pc |
| Sales key | BF56 |
| Product key | AF7APB |
| GTIN | 4046356927215 |
| Weight per piece (including packing) | 101 g |
| Weight per piece (excluding packing) | 102 g |
| Customs tariff number | 85389099 |
| Country of origin | CN |

HC-STA-B10-BWS-ELC-AL - Housing

1411320

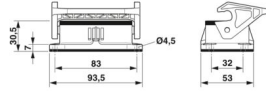
<https://www.phoenixcontact.com/us/products/1411320>

Technical data

Product properties

| | |
|---------------------|----------------------------|
| Product type | Housing with locking latch |
| Housing type | Panel mounting base |
| Application | Standard |
| Type | B10 |
| Pg screw connection | none |

Dimensions

| | |
|---------------------------------|--|
| Dimensional drawing |  |
| Width | 53 mm |
| Height | 30.5 mm |
| Length | 93.5 mm |
| Drill hole distance, horizontal | 83 mm |
| Drill hole distance, vertical | 32 mm |
| Hole diameter | 4.5 mm |

Installation dimensions

| | |
|-------------------------------|-------|
| Width of the assembly cutout | 35 mm |
| Length of the assembly cutout | 65 mm |

Material specifications

| | |
|--|---|
| Flammability rating according to UL 94 | V0 (Interlock) |
| Seal material | NBR, conductive NBR, conductive |
| Housing material | Die-cast aluminum, salt water resistant |
| Housing surface material | uncoated |
| Locking latch material | PA |

Mechanical properties

Mechanical data

| | |
|--------------|-------|
| Locking type | Latch |
|--------------|-------|

Connection data

| | |
|-------------------|--|
| Tightening torque | 0.8 Nm ... 1.2 Nm (For M4 mounting screws on the panel-mount base) |
|-------------------|--|

Environmental and real-life conditions

Ambient conditions

HC-STA-B10-BWS-ELC-AL - Housing



1411320

<https://www.phoenixcontact.com/us/products/1411320>

| | |
|---------------------------------|-------------------|
| Degree of protection | IP66 |
| | IP67 |
| Enclosure rating (NEMA) | 4 (UL 50e) |
| | 4X (UL 50e) |
| | 12 (UL 50e) |
| Impact strength | IK08 |
| Ambient temperature (operation) | -40 °C ... 125 °C |

HC-STA-B10-BWS-ELC-AL - Housing

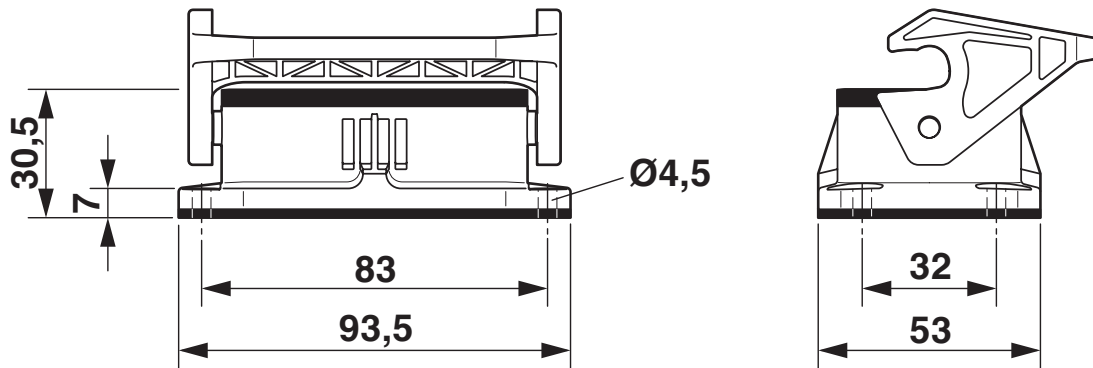


1411320

<https://www.phoenixcontact.com/us/products/1411320>

Drawings

Dimensional drawing



Dimensional drawing

Dimensional drawing



Mounting cutout

1411320

<https://www.phoenixcontact.com/us/products/1411320>

Approvals

🔗 To download certificates, visit the product detail page: <https://www.phoenixcontact.com/us/products/1411320>

DNV

Approval ID: TAE000037S



cUL Recognized

Approval ID: E255026



UL Recognized

Approval ID: E255026



EAC

Approval ID: RU C-DE.AI30.B.01102

HC-STA-B10-BWS-ELC-AL - Housing



1411320

<https://www.phoenixcontact.com/us/products/1411320>

Classifications

ECLASS

| | |
|-------------|----------|
| ECLASS-13.0 | 27440202 |
| ECLASS-15.0 | 27440202 |

ETIM

| | |
|-----------|----------|
| ETIM 10.0 | EC000437 |
|-----------|----------|

UNSPSC

| | |
|-------------|----------|
| UNSPSC 21.0 | 31261500 |
|-------------|----------|

HC-STA-B10-BWS-ELC-AL - Housing



1411320

<https://www.phoenixcontact.com/us/products/1411320>

Environmental product compliance

EU RoHS

| | |
|---|--------------------|
| Fulfills EU RoHS substance requirements | Yes, No exemptions |
|---|--------------------|

China RoHS

| | |
|--|--|
| Environment friendly use period (EFUP) | EFUP-E |
| | No hazardous substances above the limits |

EU REACH SVHC

| | |
|-------------------------------------|----------------------------|
| REACH candidate substance (CAS No.) | No substance above 0.1 wt% |
|-------------------------------------|----------------------------|

Phoenix Contact 2026 © - all rights reserved
<https://www.phoenixcontact.com>

Phoenix Contact USA
586 Fulling Mill Road
Middletown, PA 17057, United States
(+717) 944-1300
info@phoenixcon.com