

A-SEW-40-P-W - Flat gasket



1411286

<https://www.phoenixcontact.com/us/products/1411286>

Please be informed that the data shown in this PDF document is generated from our online catalog. Please find the complete data in the user documentation. Our general terms of use for downloads are valid.

Flat gasket, for threads M40, color: white



Commercial data

Item number	1411286
Packing unit	50 pc
Minimum order quantity	1 pc
Sales key	BF68
Product key	AF7DZX
GTIN	4046356924078
Weight per piece (including packing)	3.25 g
Weight per piece (excluding packing)	1.8 g
Customs tariff number	39269097
Country of origin	GB

A-SEW-40-P-W - Flat gasket

1411286

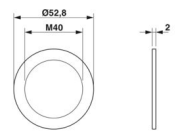
<https://www.phoenixcontact.com/us/products/1411286>

Technical data

Product properties

Product type	Seal
Manufacturer	CMP
Manufacturer Designation	40MM WHITE NYLON ETS 2MM THICK
Manufacturer product number	40ETS2
Thread type	M40

Dimensions

Dimensional drawing	
Height	2 mm
Thread type connection side	M40

Internal dimensions

Internal diameter	40 mm
-------------------	-------

Material specifications

Material	Nylon
----------	-------

Environmental and real-life conditions

Ambient conditions

Ambient temperature (operation)	-60 °C ... 130 °C
---------------------------------	-------------------

Mounting

Assembly note	for A-EXSH-M...-68L-... / G-ESSWU-M... / G-EDSWU-M... / G-ESS-M...
---------------	--

A-SEW-40-P-W - Flat gasket

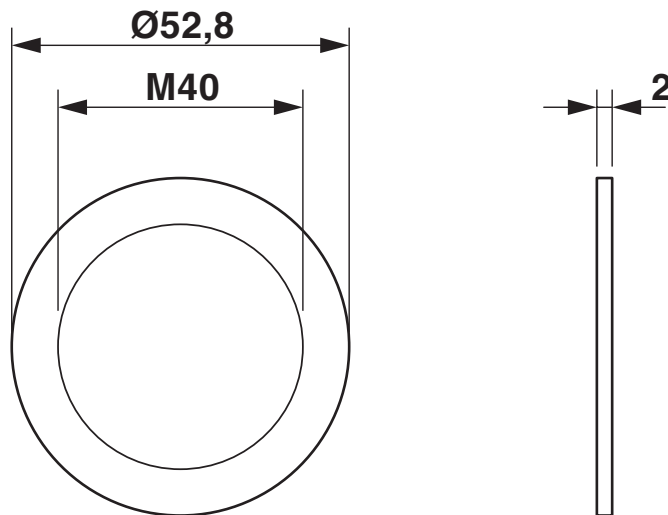
1411286

<https://www.phoenixcontact.com/us/products/1411286>



Drawings

Dimensional drawing



Dimensional drawing

A-SEW-40-P-W - Flat gasket



1411286

<https://www.phoenixcontact.com/us/products/1411286>

Classifications

ECLASS

ECLASS-13.0	27430319
ECLASS-15.0	27430319

ETIM

ETIM 10.0	EC001181
-----------	----------

UNSPSC

UNSPSC 21.0	39121400
-------------	----------

A-SEW-40-P-W - Flat gasket



1411286

<https://www.phoenixcontact.com/us/products/1411286>

Environmental product compliance

EU RoHS

Fulfills EU RoHS substance requirements	Yes
Exemption	6(c)

China RoHS

Environment friendly use period (EFUP)	EFUP-50
	An article-related China RoHS declaration table can be found in the download area for the respective article under "Manufacturer declaration". For all articles with EFUP-E, no China RoHS declaration table issued and required.

EU REACH SVHC

REACH candidate substance (CAS No.)	Lead(CAS: 7439-92-1)
SCIP	ef9e92d7-7493-4963-a758-243f17bf8956

EF3.1 Climate Change

CO2e kg	0.162 kg CO2e
---------	---------------

Phoenix Contact 2026 © - all rights reserved
<https://www.phoenixcontact.com>

Phoenix Contact USA
586 Fulling Mill Road
Middletown, PA 17057, United States
(+717) 944-1300
info@phoenixcon.com