

A-SEW-25-P-W - Flat gasket

1411284

<https://www.phoenixcontact.com/us/products/1411284>

Please be informed that the data shown in this PDF document is generated from our online catalog. Please find the complete data in the user documentation. Our general terms of use for downloads are valid.

Flat gasket, for threads M25, color: white



Commercial data

| | |
|--------------------------------------|---------------|
| Item number | 1411284 |
| Packing unit | 200 pc |
| Minimum order quantity | 1 pc |
| Sales key | BF68 |
| Product key | AF7DZX |
| GTIN | 4046356924153 |
| Weight per piece (including packing) | 1.252 g |
| Weight per piece (excluding packing) | 1.15 g |
| Customs tariff number | 39269097 |
| Country of origin | GB |

A-SEW-25-P-W - Flat gasket

1411284

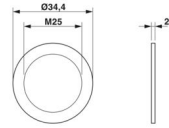
<https://www.phoenixcontact.com/us/products/1411284>

Technical data

Product properties

| | |
|-----------------------------|--------------------------------|
| Product type | Seal |
| Manufacturer | CMP |
| Manufacturer Designation | 25MM WHITE NYLON ETS 2MM THICK |
| Manufacturer product number | 25ETS2 |
| Thread type | M25 |

Dimensions

| | |
|-----------------------------|--|
| Dimensional drawing |  |
| Height | 2 mm |
| Thread type connection side | M25 |

Internal dimensions

| | |
|-------------------|-------|
| Internal diameter | 25 mm |
|-------------------|-------|

Material specifications

| | |
|----------|-------|
| Material | Nylon |
|----------|-------|

Environmental and real-life conditions

Ambient conditions

| | |
|---------------------------------|-------------------|
| Ambient temperature (operation) | -60 °C ... 130 °C |
|---------------------------------|-------------------|

Mounting

| | |
|---------------|--|
| Assembly note | for A-EXSH-M...-68L-... / G-ESSWU-M... / G-EDSWU-M... / G-ESS-M... |
|---------------|--|

A-SEW-25-P-W - Flat gasket

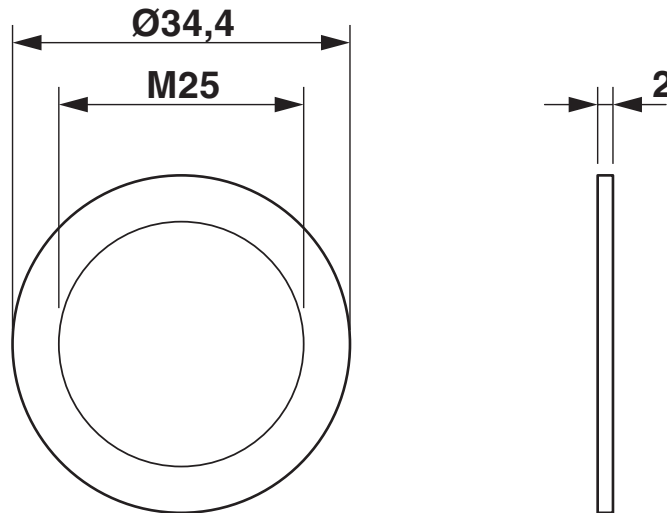
1411284

<https://www.phoenixcontact.com/us/products/1411284>



Drawings

Dimensional drawing



Dimensional drawing

A-SEW-25-P-W - Flat gasket



1411284

<https://www.phoenixcontact.com/us/products/1411284>

Classifications

ECLASS

| | |
|-------------|----------|
| ECLASS-13.0 | 27430319 |
| ECLASS-15.0 | 27430319 |

ETIM

| | |
|-----------|----------|
| ETIM 10.0 | EC001181 |
|-----------|----------|

UNSPSC

| | |
|-------------|----------|
| UNSPSC 21.0 | 39121400 |
|-------------|----------|

A-SEW-25-P-W - Flat gasket



1411284

<https://www.phoenixcontact.com/us/products/1411284>

Environmental product compliance

EU RoHS

| | |
|---|------|
| Fulfills EU RoHS substance requirements | Yes |
| Exemption | 6(c) |

China RoHS

| | |
|--|---|
| Environment friendly use period (EFUP) | EFUP-50 |
| | An article-related China RoHS declaration table can be found in the download area for the respective article under "Manufacturer declaration". For all articles with EFUP-E, no China RoHS declaration table issued and required. |

EU REACH SVHC

| | |
|-------------------------------------|--------------------------------------|
| REACH candidate substance (CAS No.) | Lead(CAS: 7439-92-1) |
| SCIP | 5878ba07-1081-494a-b002-051917207a7c |

EF3.1 Climate Change

| | |
|---------|---------------|
| CO2e kg | 0.056 kg CO2e |
|---------|---------------|

Phoenix Contact 2026 © - all rights reserved
<https://www.phoenixcontact.com>

Phoenix Contact USA
586 Fulling Mill Road
Middletown, PA 17057, United States
(+717) 944-1300
info@phoenixcon.com