

# A-INLE-PG21-N-S - EMC nut

1411280

<https://www.phoenixcontact.com/us/products/1411280>

Please be informed that the data shown in this PDF document is generated from our online catalog. Please find the complete data in the user documentation. Our general terms of use for downloads are valid.

EMC nut, for threads Pg21, color: silver-colored



## Commercial data

Item number	1411280
Packing unit	50 pc
Minimum order quantity	100 pc
Sales key	BF68
Product key	AF7DZX
GTIN	4046356924115
Weight per piece (including packing)	9.34 g
Weight per piece (excluding packing)	9.34 g
Customs tariff number	74198090
Country of origin	DE

# A-INLE-PG21-N-S - EMC nut

1411280

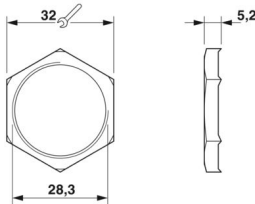
<https://www.phoenixcontact.com/us/products/1411280>

## Technical data

### Product properties

Product type	Flat nut
Thread type	Pg21

### Dimensions

Dimensional drawing	
Length	5.2 mm
Diameter	28.3 mm
Connecting thread diameter	28.3 mm
Wrench size, counter nut	32 mm
Hexagon angular dimension	36 mm
Thread type connection side	Pg21

### Material specifications

Material	Brass, nickel-plated
----------	----------------------

### Cable/line

Halogen-free	yes
--------------	-----

### Environmental and real-life conditions

#### Ambient conditions

Ambient temperature (operation)	-70 °C ... 220 °C
---------------------------------	-------------------

### Mounting

Assembly note	for EMC cable glands, for removing a non-conductive surface coating
---------------	---

# A-INLE-PG21-N-S - EMC nut

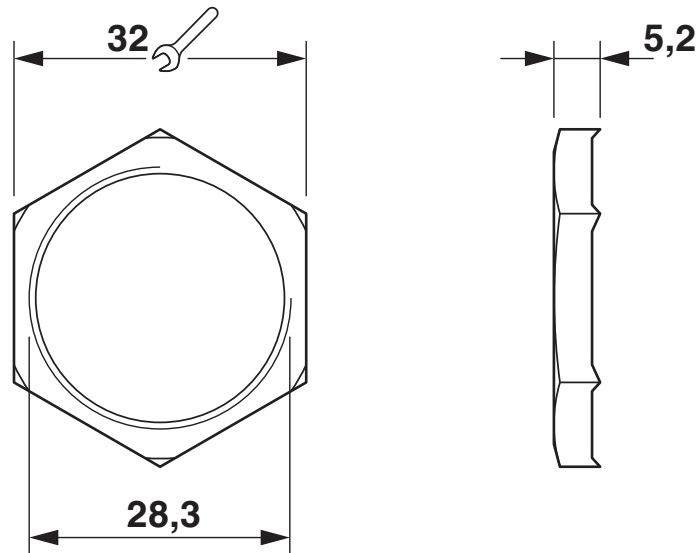
1411280

<https://www.phoenixcontact.com/us/products/1411280>



## Drawings

Dimensional drawing



# A-INLE-PG21-N-S - EMC nut



1411280

<https://www.phoenixcontact.com/us/products/1411280>

## Classifications

### ECLASS

ECLASS-13.0	27140807
ECLASS-15.0	27140807

### ETIM

ETIM 10.0	EC003608
-----------	----------

### UNSPSC

UNSPSC 21.0	31161700
-------------	----------

# A-INLE-PG21-N-S - EMC nut



1411280

<https://www.phoenixcontact.com/us/products/1411280>

## Environmental product compliance

### EU RoHS

Fulfills EU RoHS substance requirements	Yes
Exemption	6(c)

### China RoHS

Environment friendly use period (EFUP)	EFUP-50
	An article-related China RoHS declaration table can be found in the download area for the respective article under "Manufacturer declaration". For all articles with EFUP-E, no China RoHS declaration table issued and required.

### EU REACH SVHC

REACH candidate substance (CAS No.)	Lead(CAS: 7439-92-1)
SCIP	dc30ba52-2a39-499f-8105-16f6b2133841

Phoenix Contact 2026 © - all rights reserved  
<https://www.phoenixcontact.com>

Phoenix Contact USA  
586 Fulling Mill Road  
Middletown, PA 17057, United States  
(+717) 944-1300  
[info@phoenixcon.com](mailto:info@phoenixcon.com)