

A-INLE-PG9-N-S - EMC nut

1411276

<https://www.phoenixcontact.com/us/products/1411276>

Please be informed that the data shown in this PDF document is generated from our online catalog. Please find the complete data in the user documentation. Our general terms of use for downloads are valid.

EMC nut, for threads Pg9, color: silver-colored



Commercial data

Item number	1411276
Packing unit	100 pc
Minimum order quantity	100 pc
Sales key	BF68
Product key	AF7DZX
GTIN	4046356924184
Weight per piece (including packing)	3.08 g
Weight per piece (excluding packing)	3.033 g
Customs tariff number	74198090
Country of origin	DE

A-INLE-PG9-N-S - EMC nut

1411276

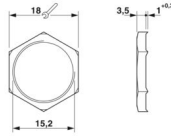
<https://www.phoenixcontact.com/us/products/1411276>

Technical data

Product properties

Product type	Flat nut
Thread type	Pg9

Dimensions

Dimensional drawing	
Length	4.7 mm
Diameter	15.2 mm
Connecting thread diameter	15.2 mm
Wrench size, counter nut	18 mm
Hexagon angular dimension	20 mm
Thread type connection side	Pg9

Material specifications

Material	Brass, nickel-plated
----------	----------------------

Cable/line

Halogen-free	yes
--------------	-----

Environmental and real-life conditions

Ambient conditions

Ambient temperature (operation)	-70 °C ... 220 °C
---------------------------------	-------------------

Mounting

Assembly note	for EMC cable glands, for removing a non-conductive surface coating
---------------	---

A-INLE-PG9-N-S - EMC nut

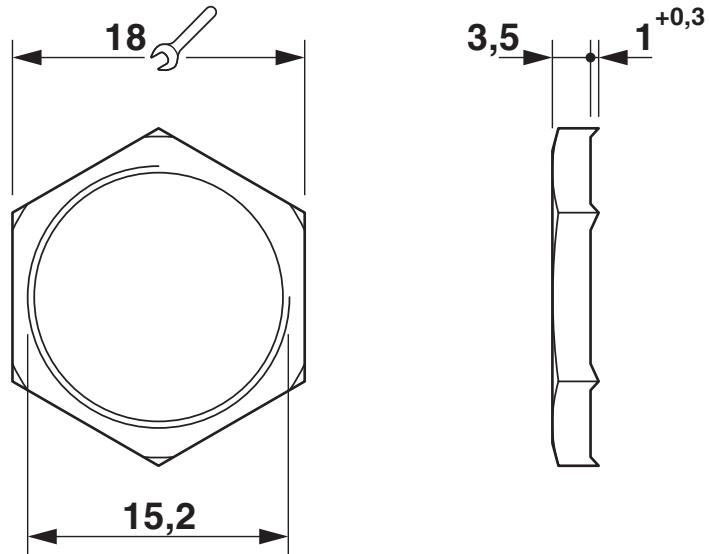
1411276

<https://www.phoenixcontact.com/us/products/1411276>



Drawings

Dimensional drawing



A-INLE-PG9-N-S - EMC nut



1411276

<https://www.phoenixcontact.com/us/products/1411276>

Classifications

ECLASS

ECLASS-13.0	27140807
ECLASS-15.0	27140807

ETIM

ETIM 10.0	EC003608
-----------	----------

UNSPSC

UNSPSC 21.0	31161700
-------------	----------

A-INLE-PG9-N-S - EMC nut



1411276

<https://www.phoenixcontact.com/us/products/1411276>

Environmental product compliance

EU RoHS

Fulfills EU RoHS substance requirements	Yes
Exemption	6(c)

China RoHS

Environment friendly use period (EFUP)	EFUP-50
	An article-related China RoHS declaration table can be found in the download area for the respective article under "Manufacturer declaration". For all articles with EFUP-E, no China RoHS declaration table issued and required.

EU REACH SVHC

REACH candidate substance (CAS No.)	Lead(CAS: 7439-92-1)
SCIP	ebf44e6f-d0ac-4c03-a0f4-7b5a2f788755

Phoenix Contact 2026 © - all rights reserved
<https://www.phoenixcontact.com>

Phoenix Contact USA
586 Fulling Mill Road
Middletown, PA 17057, United States
(+717) 944-1300
info@phoenixcon.com