

A-INLE-M50-N-S - EMC nut

1411273

<https://www.phoenixcontact.com/us/products/1411273>

Please be informed that the data shown in this PDF document is generated from our online catalog. Please find the complete data in the user documentation. Our general terms of use for downloads are valid.

EMC nut, for threads M50 x 1.5, color: silver-colored



Commercial data

Item number	1411273
Packing unit	10 pc
Minimum order quantity	100 pc
Sales key	BF68
Product key	AF7DZX
GTIN	4046356924047
Weight per piece (including packing)	54.8 g
Weight per piece (excluding packing)	52.003 g
Customs tariff number	74198090
Country of origin	IN

A-INLE-M50-N-S - EMC nut

1411273

<https://www.phoenixcontact.com/us/products/1411273>

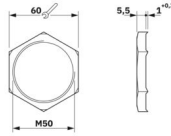


Technical data

Product properties

Product type	Flat nut
Thread type	M50

Dimensions

Dimensional drawing	
Length	6.5 mm
Diameter Connecting thread	50 mm
Connecting thread diameter	50 mm
Wrench size, counter nut	60 mm
Hexagon angular dimension	65 mm
Thread type connection side	M50 x 1.5
Thread pitch	1.5 mm

Material specifications

Material	Brass, nickel-plated
----------	----------------------

Cable/line

Halogen-free	yes
--------------	-----

Environmental and real-life conditions

Ambient conditions

Ambient temperature (operation)	-70 °C ... 220 °C
---------------------------------	-------------------

Mounting

Assembly note	for EMC cable glands, for removing a non-conductive surface coating
---------------	---

A-INLE-M50-N-S - EMC nut

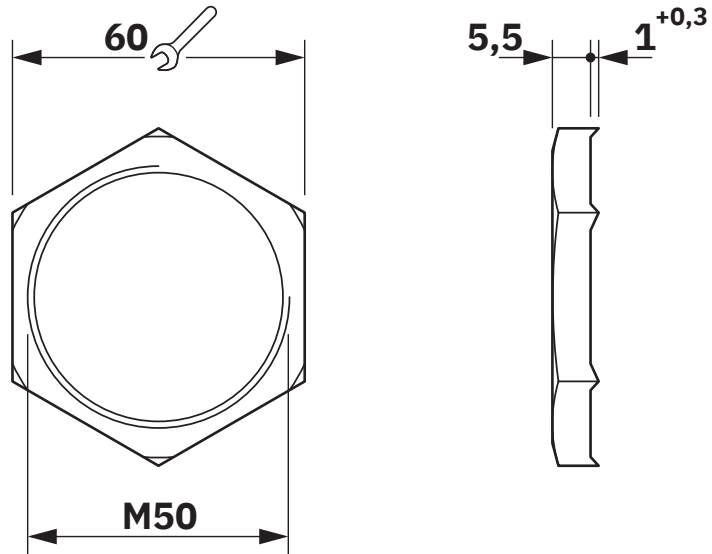
1411273

<https://www.phoenixcontact.com/us/products/1411273>



Drawings

Dimensional drawing



A-INLE-M50-N-S - EMC nut



1411273

<https://www.phoenixcontact.com/us/products/1411273>

Classifications

ECLASS

ECLASS-13.0	27140807
ECLASS-15.0	27140807

ETIM

ETIM 10.0	EC003608
-----------	----------

UNSPSC

UNSPSC 21.0	31161700
-------------	----------

A-INLE-M50-N-S - EMC nut



1411273

<https://www.phoenixcontact.com/us/products/1411273>

Environmental product compliance

EU RoHS

Fulfills EU RoHS substance requirements	Yes
Exemption	6(c)

China RoHS

Environment friendly use period (EFUP)	EFUP-50
	An article-related China RoHS declaration table can be found in the download area for the respective article under "Manufacturer declaration". For all articles with EFUP-E, no China RoHS declaration table issued and required.

EU REACH SVHC

REACH candidate substance (CAS No.)	Lead(CAS: 7439-92-1)
SCIP	8ecb67de-895a-4b5a-ade2-1c6736cbee7b

Phoenix Contact 2026 © - all rights reserved
<https://www.phoenixcontact.com>

Phoenix Contact USA
586 Fulling Mill Road
Middletown, PA 17057, United States
(+717) 944-1300
info@phoenixcon.com